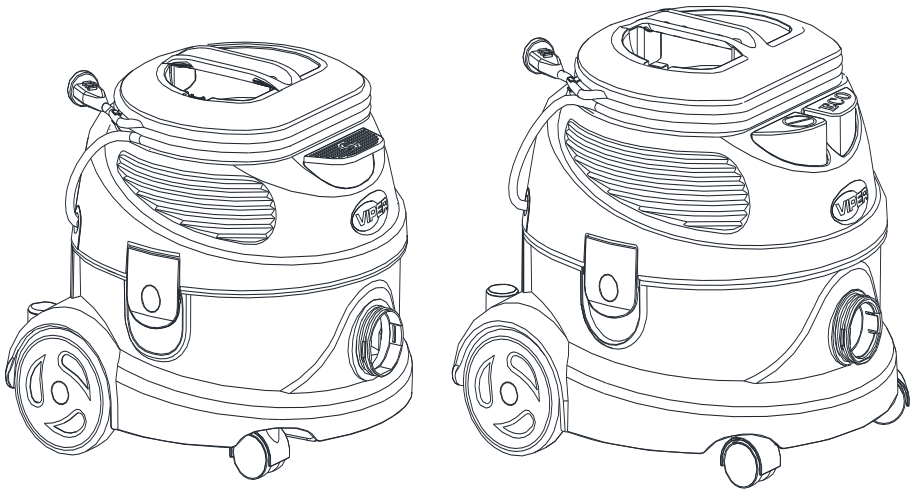




DSU8/DSU10/DSU12/DSU15
8L/10L/12L/15L Dry Vacuum Cleaner
8L/10L/12L/15L

OWNER'S MANUAL



VA81412

Rev.2020/05/24



EU / UE / EL / EC / EE / ES / EÚ / AB

Declaration of Conformity

Prohlášení o shodě
Konformitátskerklárung
Overensstemmelseserklæring
Declaración de conformidad
Vastavusdeklaratsioon
Déclaration de conformité
Vaatimustenmukaisuusvakuutus

Декларация за съответствие
Δήλωση συμμόρφωσης
Megfelelősségi nyilatkozat
Izjava o skladnosti
Dichiarazione di conformità
Atitikties deklaracija
Atbilstības deklarācija
Samsvarserklæring
Conformiteitsverklaring

Declaração de conformidade
Declaracja zgodności
Declaratie de conformitate
Декларация о соответствии
Försäkran om överensstämmelse
Vyhlášení o zhode
Izjava o skladnosti
Uygunluk beyanı

Manufacturer / Výrobce / Hersteller / Fabrikant / Fabricante / Κατασκευαστής / Gyártó / Proizvođač / Fabbrikante / Gamintojas / Ražotājs / Produsent / Fabrikant / Fabricante / Producent / Producător / производитель / Tillverkaren / Výrobca / Proizvajalec / Üretici firma:

**Nilfisk A/S, Kornmarksvej 1
DK-2605 Broendby, DENMARK**

Product / Produkt / Producto, Toode, Produit, Tuote/ Продукт / Προϊόν / Termék / Proizvod / Prodotto / Produkta / Produkts / Artikel / Produtos / Produs / Izdelek / Ürün

DSU8, -10, -12, -15, VP100, ZEF8, -10

Description / Popis / Beschreibung / Beskrivelse / Descripción / Kirjeldus / La description / Kuvaus / Описание / Περιγραφή / Leirás / Opis / Descrizione / Aprašymas / Apraksts / Beschrijving / Descrição / Descriere / Beskrivning / Popis / Açıklama

**VAC - Commercial - Dry
220-240V 50/60Hz, IPX0**

- | | | |
|---------------------------------------------------------------------------------------------------------------------------------------------------------------------------|-----------------------------------------------------------------------------------------------------------------------------------------------------------------|---------------------------------------------------------------------------------------------------------------------------------------------------------------------|
| EN We, Nilfisk hereby declare under our sole responsibility, that the above mentioned product(s) is/are in conformity with the following directives and standards. | BG Ние, Nilfisk с настоящото декларираме на своя лична отговорност, че посочените по-горе продуктът е в съответствие със следните директиви и стандарти. | PT Nós, a Nilfisk declaramos, sob nossa exclusiva responsabilidade, que o produto acima mencionado está em conformidade com as diretrizes e normas a seguir. |
| CS My, Nilfisk prohlašujeme na svou výlučnou odpovědnost, že výše uvedený výrobek je ve shodě s následujícími směrnici a normami. | EL Εμείς, Nilfisk δηλώνουμε με αποκλειστική μας ευθύνη, ότι το προαναφερόμενο προϊόν συμμορφώνεται με τις ακόλουθες οδηγίες και πρότυπα. | PL My, Nilfisk Niniejszym oświadczamy z pełną odpowiedzialnością, że wyżej wymieniony produkt jest zgodny z następującymi dyrektywami i normami.. |
| DE Wir, Nilfisk erklären in alleiniger Verantwortung, dass das oben genannte Produkt den folgenden Richtlinien und Normen entspricht. | HU Mi, Nilfisk kijelentjük, egyedüli felelősséggel, hogy a fent említett termék megfelel az alábbi irányelveknek és szabványoknak | RO Noi, Nilfisk Prin prezenta declarăm pe propria răspundere, că produsul mai sus menționat este în conformitate cu următoarele standarde și directive. |
| DA Vi, Nilfisk erklærer hermed under eget ansvar at ovennævnte produkt(er) er i overensstemmelse med følgende direktiver og standarder. | HR Mi, Nilfisk izjavljujemo pod punom odgovornošću, da gore navedeni proizvod u skladu sa sljedećim direktivama i standardima. | RU Ми, Нилфиск овим изјављујем под пуном одговорношћу, да наведеног производ је у складу са следећим директивама и стандардима. |
| ES Nosotros, Nilfisk declaramos bajo nuestra única responsabilidad que el producto antes mencionado está en conformidad con las siguientes directivas y normas | IT Noi, Nilfisk dichiara sotto la propria responsabilità, che il prodotto di cui sopra è conforme alle seguenti direttive e norme. | SV Vi Nilfisk förklarar härmed under eget ansvar att ovan nämnda produkt överensstämmer med följande direktiv och normer. |
| ET Meie, Nilfisk Käesolevaga kinnitame ja kanname ainuisikulist vastutust, et eespool nimetatud toode on kooskõlas järgmistele direktiivide ja | LT Mes, "Nilfisk pareiškiu vienašališkos atsakomybės, kad pirmiau minėtas produkta atitinka šias direktyvas ir standartus | SK My, Nilfisk prehlasujeme na svoju výlučnú zodpovednosť, že vyššie uvedený výrobok je v zhode s nasledujúcimi smernicami a normami. |
| FR Nilfisk déclare sous notre seule responsabilité que le produit mentionné ci-dessus est conforme aux directives et normes suivantes. | LV Mēs, Nilfisk šo apliecinu ar pilnu atbildību, ka iepriekš minētais produkts atbilst šādām direktīvām un standartiem | SL Mi, Nilfisk izjavljamo s polno odgovornostjo, da je zgoraj omenjeni izdelek v skladu z naslednjimi smernicami in standardi. |
| FI Me, Nilfisk täten vakuutamme omalla vastuulla, että edellä mainittu tuote on yhdenmukainen seuraavien direktiivien ja standardien mukaisesti | NO Vi, Nilfisk erklærer herved under eget ansvar, at det ovennevnte produktet er i samsvar med følgende direktiver og standarder | TR Nilfisk, burada yer alan tüm sorumluluklarımızı göere, yukarıda belirtilen ürünün aşağıdaki direktifler ve standartlara uygun olduğunu beyan ederiz. |
| NL We verklaren Nilfisk hierbij op eigen verantwoordelijkheid, dat het bovengenoemde product voldoet aan de volgende richtlijnen en normen | | |

2006/42/EC	EN 60335-1:2012+A11:2014 EN 60335-2-69:2012
2014/30/EU	EN 55014-1:2006+A1:2009+A2:2011 EN 55014-2:2015 EN 61000-3-2:2014 EN 61000-3-3:2013
2011/65/EU	EN 50581:2012
2009/125/EC 666/2013/EU	EN 60312-1:2017

Authorized signatory: Lars Gjødbsøl, Executive Vice President Global Products & Services

July 13, 2018



UK Declaration of Conformity

We,
Nilfisk Ltd
Nilfisk House, Bowerbank Way Gilwilly Industrial Estate
Penrith Cumbria
CA11 9BQ UK

Hereby declare under our sole responsibility that the

Products: VAC - Commercial - Dry
Description: 220-240V 50-60Hz, IPX0
Type: DSU8, -10, -12, -15, ZEF8, -10

Are in compliance with the following standards:

EN 60335-1:2012+A11:2014+A13:2017
EN 60335-2-69:2012
EN 55014-1:2017+A11:2020
EN 55014-2:2015
EN 61000-3-2:2014
EN 61000-3-3:2013
EN 60312-1:2017
EN 63000:2018

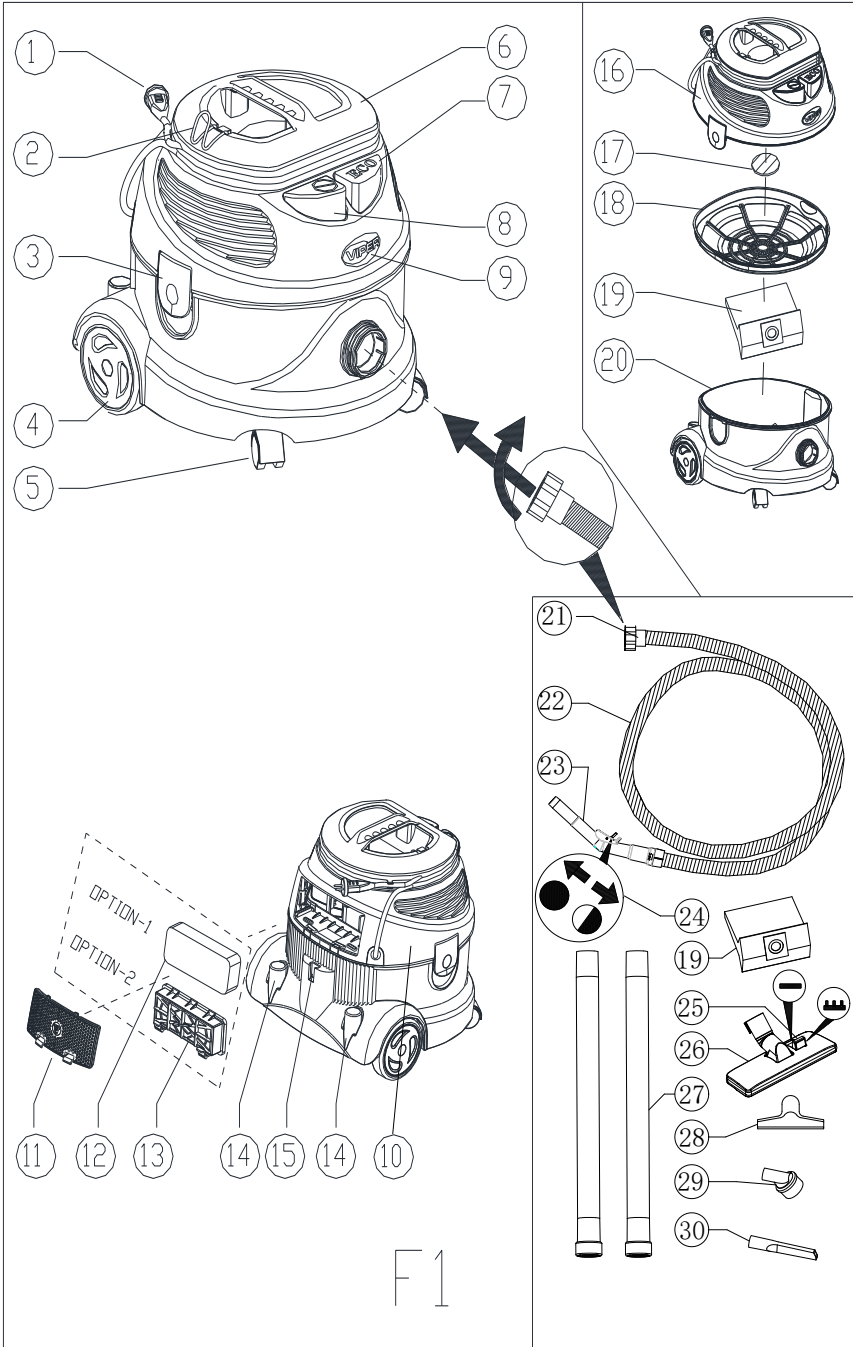
Following the provisions of:

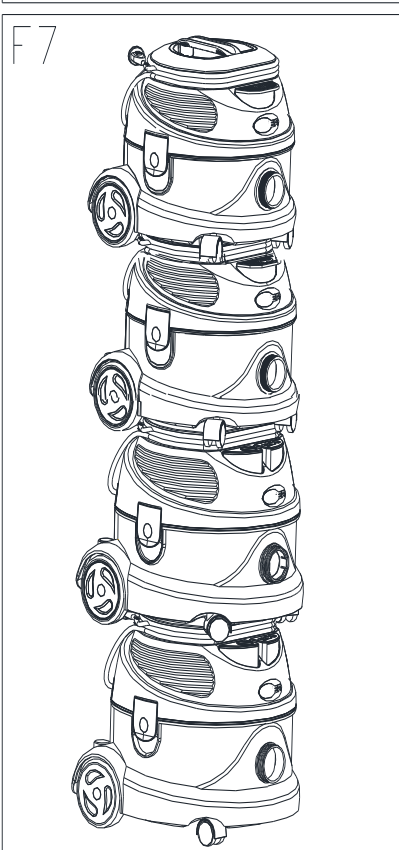
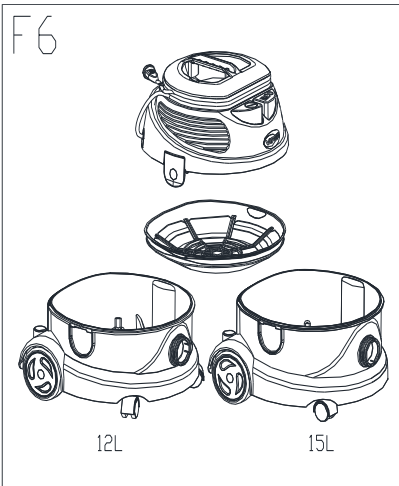
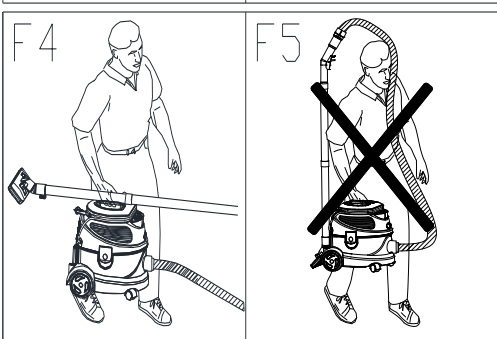
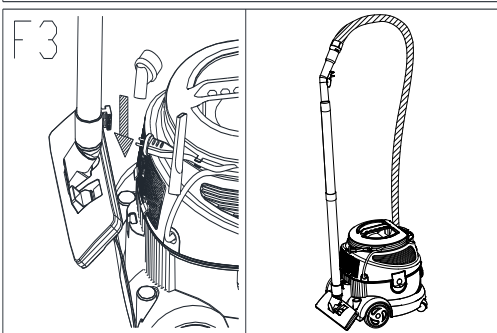
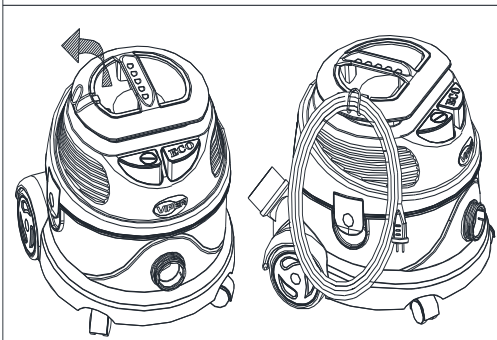
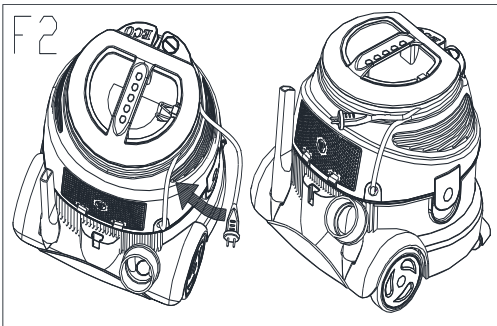
Supply of Machinery (Safety) Regulations 2008/1597
Electromagnetic Compatibility Regulations 2016/1091
The Restriction of the Use of Certain Hazardous Substances in Electrical and Electronic Equipment
Regulations 2012/3032
Ecodesign for Energy-Related Products and Energy Information (Amendment) (EU Exit) Regulations 2019 -
2019/539

Penrith, 11-1-2021

A handwritten signature in black ink, appearing to read "Stewart Dennett". The signature is written in a cursive style with a long horizontal stroke at the end.

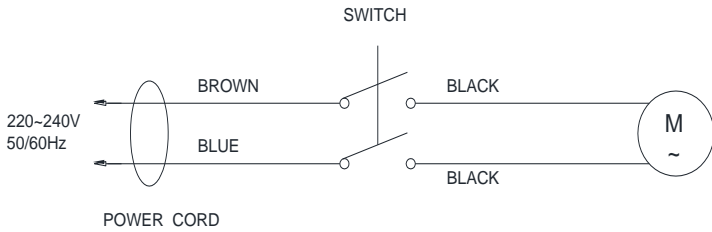
Stewart Dennett
GM/MD





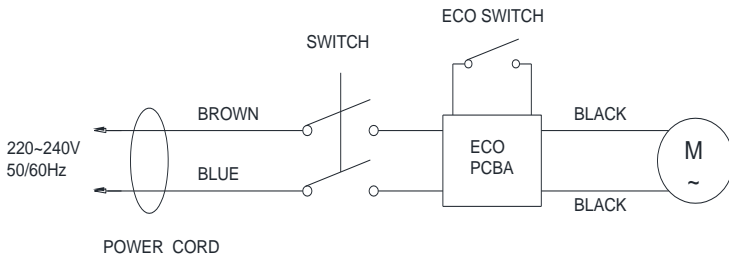
F8

DSU8/DSU10 Circuit Connection Diagram



F9

DSU12/DSU15 Circuit Connection Diagram



Product Specification Parameter/ (F 10)

Model No.	Capacity (L)	Voltage (V)	Frequency (Hz)	Power (W)	Vacuum (mmH2O)	Air Flow (ltr/min)	Noise (dBA)	Weight (Kg)	Size (LxWxH)mm
DSU 8	8	220~240	50/60	880	2200	1834	72	5.0	340x325x325
DSU 10	10	220~240	50/60	880	2200	1834	72	5.2	340x325x340
DSU 12	12	220~240	50/60	880	2200	1834	73	5.4	371x357x355
DSU 15	15	220~240	50/60	880	2200	1834	73	5.6	371x357x370

Instruction:

- This machine is widely used in hotels、 schools、 marketplace、 office、 hospital、 commercial and household cleaning etc.
- This manual should be read thoroughly before operation.
- Please use the recommended accessories when operating the machine.

Before operating this machine:

- Make sure that all the safety functions are normal, and ensure that the actual operation voltage is in accordance with the required voltage rate.

Description of the construction of the device. For parts diagrams of construction, refer to “F1” Diagram on page 3.

1. Power cord
2. Cable hook
3. Latch
4. 4.3inch back big wheel
5. Omni-directional wheel
6. Handle
7. ECO switch
8. Power switch
9. LOGO
10. Serial number label
11. Exhaust cover
12. Exhaust filter sponge
13. HEPA filter
14. Accessory parts storage column
15. Combination tool storage position
16. Machine head assembly
17. Motor pre filter cotton
18. Main filter basket
19. HEPA dust bag
20. Dust tank assembly
21. Machine hose connector
22. Suction hose
23. Suction tube operation handle
24. Suction force regulator
25. Nozzle transfer switch

26. Combination tool
27. Straight iron tube
28. Upholstery tool
29. Dusting tool
30. Crevice tool

Remark: the parts or accessories are subject to change without prior notice, please forgive.

Operating instructions

1. Please use the recommended dust bag. Insert the latex ring of dust bag into the suction port of dust tank, and place dust bag flatly in the dust tank.
2. Put the main filter basket placed in the dust tank with dust bag. (Note: the placement of main filter basket has its direction, the side with the letter “Back” needs toward the back of machine.)
3. Place the machine head, then lock two side latch of machine head.
4. Connect machine connector of the corrugated hose assembly screw with the dust tank thread.
5. Plug power cord into outlet, press the red switch to start the machine for operation. (Note: DSU8/DSU10 has only red power switch, DSU12/DSU15 contains the red power switch and the ECO energy-saving switch, power saving mode and maximum power mode can be changed by gently touched the ECO switch for easy transformation.)

6. When stopping the machine, only press the red power switch one time.

7. The crevice tool can be used for cleaning narrow and hard to reach areas, the dusting brush and upholstery tool can be used for cleaning curtains and upholstered furniture.

Warranty

This product has been designed to provide trouble free operation for a number of years with the correct maintenance, The machine comes with a 12 month manufactures warranty against component defects.

In the unlikely event that your VIPER product develops a fault please contact the place of purchase or your nearest authorised VIPER dealer.

1. Incorrect or improper operation of the machine.
2. Parts damaged by improper use or neglect..
3. Machine structure damaged by improper use or neglect..

Care and Maintenance

1. After using, place the machine in dry and ventilated place.
2. Before using this product please check the condition of the pre filter, dust bag and main filter and replace as required.

Please check the exhaust filter on a regular basis at least once a month depending on the usage.

3. Remove the suction hose and check the hose whether has any obstruction or is damaged;

4. If during use the machine suffers from a lack of suction in the first place please check that the dust bag is not full failing that please check the main filter basket, motor pre filter and exhaust filter;

5. After use, beating or using brush cleaning the main filter basket.

6. After cleaning the main filter basket, they must be completely dry when re-used.

Warning

As with all electrical equipment care and attention must be exercised at all times during its use, in addition to ensuring that routine and preventative maintenance is carried out periodically in order to ensure its safe operation. Failure to carry out maintenance as necessary, including the replacement of parts to the correct standard could render this equipment unsafe and the manufacturer can accept no responsibility or liability in this respect.

► This machine is not suitable for hazardous materials such as hazardous dust flammable or explosive material. It is the customers responsibility to carry

out a thorough risk assessment before using this product.

▶ Do not Clean hot materials, do not clean the fireplace、 roaster and other contains similar hot object source.

▶ Do not vacuum water、 liquid and other flammable gasses.

▶ If the power cord or plug has any damage, do not use this machine, before using the machine check the power cord and plug is not damaged or shows signs of ageing, If any damage is found to the power cord or plug, please contact the nearest authorised service center.

▶ Don't touch the power cord and plug when your hand is wet, when you need to remove the plug, the right way is by holding the plug then pull the plug, do not just pull the wire. Before carrying out any maintenance on the machine you should turn off the power and remove the plug from the socket.

▶ This machine is only to be used by persons who have been trained and have read this manual.

Storage

1. Storage mode of cleaner accessories (crevice tool、 dusting tool、 upholstery tool) can be referred to picture **F3**.

2. Two kinds of storage power cord

mode can be referred to pictures **F2**.

3. Machine stacking storage can be referred to picture **F7**.

4. The right carrying machine way with accessories storage can be referred pictures **F4**, improper carrying way with accessories storage can refer to pictures **F5**

Circuit connection diagram:

DSU8/DSU10 circuit connection diagram can be referred to **F8**.

DSU12/DSU15 circuit connection diagram can be referred to **F9**.

Product specification parameter

For specification parameter referred to "F10".



**WB FLOOR
MACHINES**

SALES · SERVICE · HIRE

☎ 01293 852022

✉ info@wbfloormachines.co.uk

🌐 www.wbfloormachines.co.uk

🏠 Unit 7 Burns Way, Holmbush Potteries
Estate, Horsham RH12 4ST