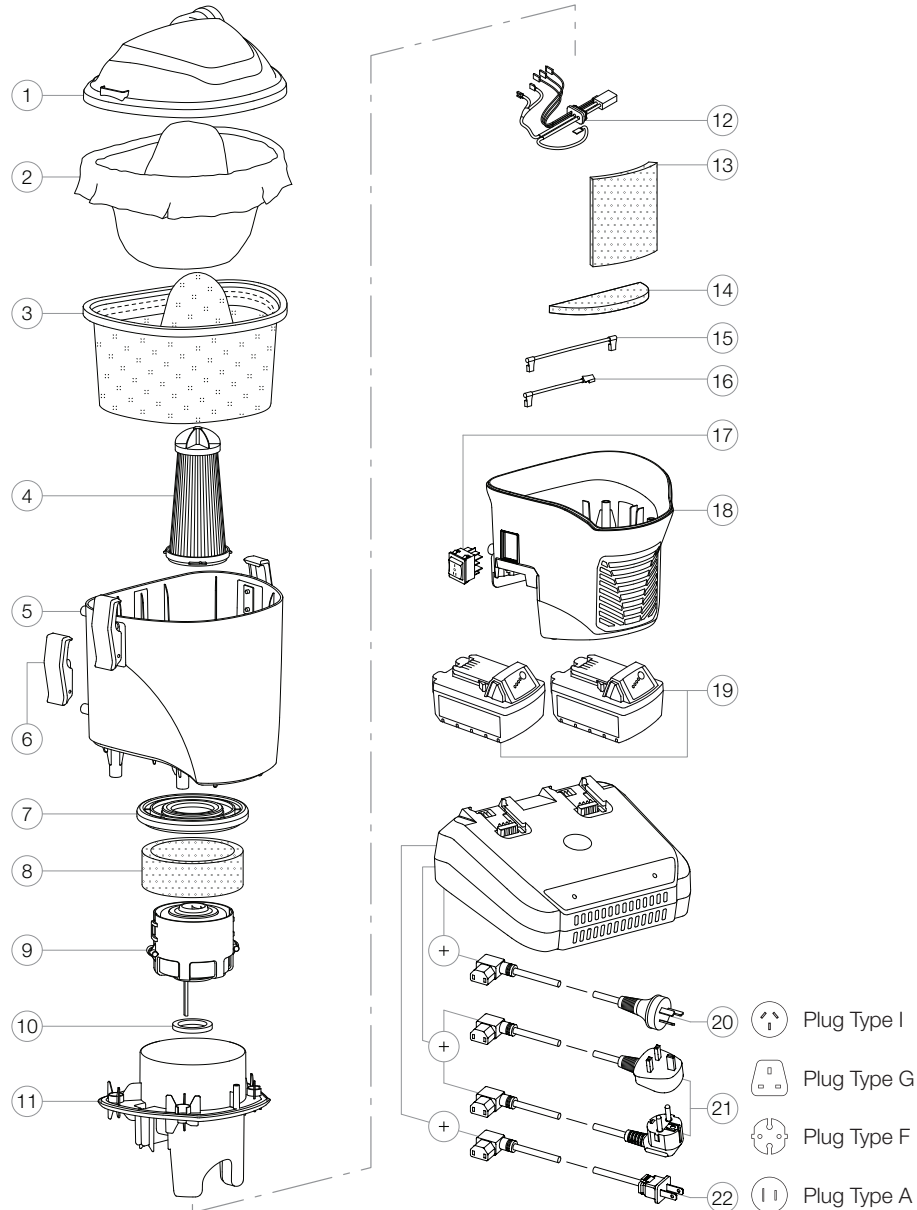


Parts Profile

Velo Go - 01VG002VB



Spare Parts

Quote these part numbers when ordering spare parts.

No.	Part Name	Part No.
1.	Clear offset lid	LID005
2.	Disposable paper dust bag 2.5L 10pk	DUB034
3.	Reusable SMS cone dust bag 2.5L (grey)	DUB032
4.	Pre-motor cone filter 165mm	FIL027
5.	Velo Go canister	CAN017A
6.	Latch assembly	LAT007
7.	Rubber motor cover 127mm	COV020
8.	Insulation foam 115mm	INS015
9.	250W/400W Single-stage brushless DC motor	MOT017
10.	Rubber gasket motor 45mm	GAS012
11.	Housing assembly	INH013
12.	Leadwire motor terminal	WIR014
13.	Square exhaust filter	FIL026
14.	Insulation foam 145mm	INS014
15.	Wiring switch terminal 130mm	WIR023
16.	Wiring switch terminal 105mm	WIR024
17.	Hi-low-off switch	SWI002
18.	Motor housing	HOU011
19.	Rechargeable lithium-ion battery 18V	BP001BP01A01
20.	Battery charger (plug type I)	BC001BC01A02
21.	Battery charger (plug type G and F)	BC001BC01A03
22.	Battery charger (plug type A)	BC001BC02A02

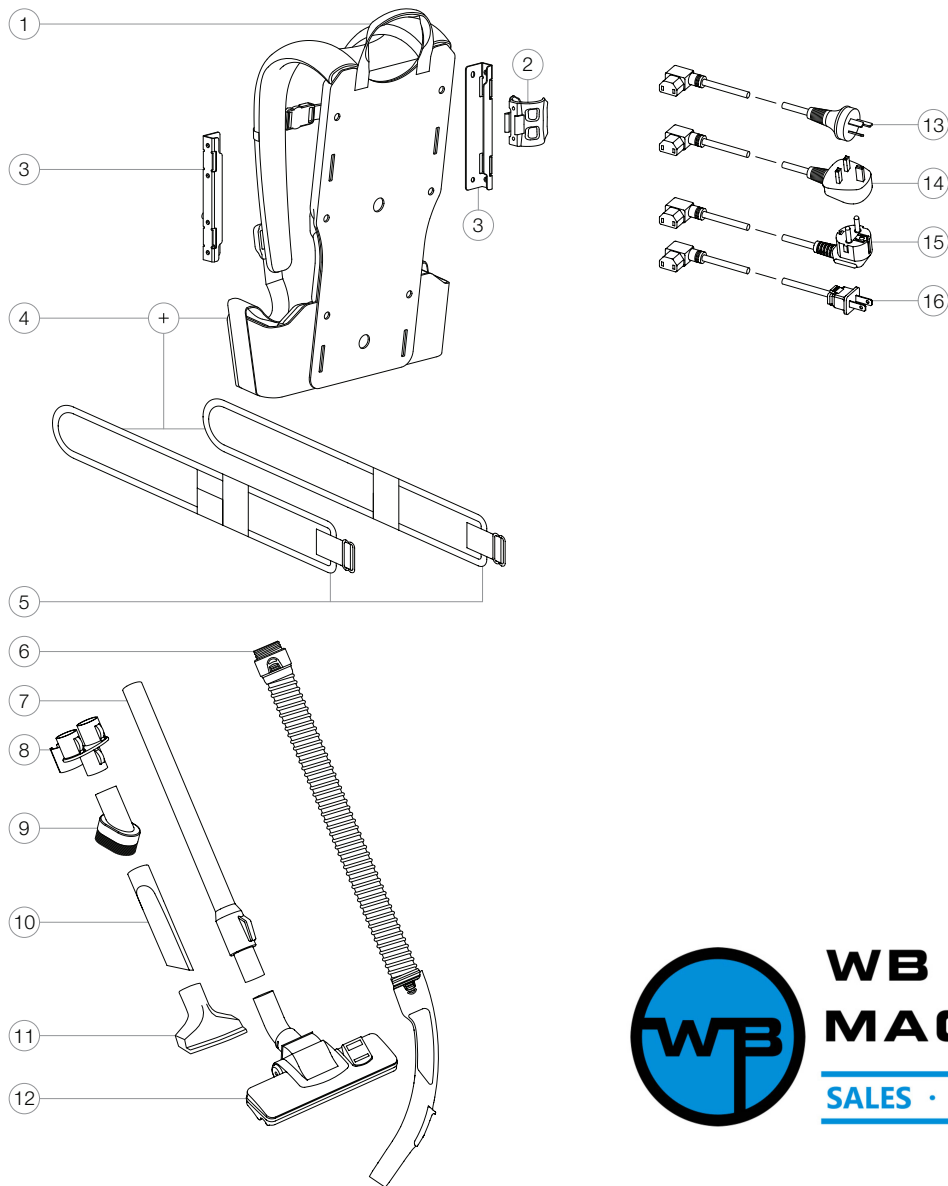
Specifications

Model Name	Velo Go
Model No.	01VG002VB (AU, UK and EU)
Motor	250W/400W single-stage BLDC
Max Suction Power	85.9W, 124.5W (boost mode)
Volt/Frequency	36V DC
Noise Level (at ear)	<69.1dB(A)
Filtration	4 stage; Hypercone™ filter
Volumetric Airflow (Max.)	20.5L/s, 22.4L/s (boost mode)
Max Pressure	14kPa, 18.8kPa (boost mode)
Capacity	2.5L
Weight	4.5kg (inc. battery packs, ex. hose assembly)
Power Source	Rechargeable lithium-ion battery packs - 2 x 18V DC
Vibration Level	≤2.5 m/s ²

*Technical specifications, part numbers and part designs are subject to change without notice.

Parts Profile

Velo Go - 01VG002VB



Spare Parts

Quote these part numbers when ordering spare parts.

No.	Part Name	Part No.
1.	Harness	HAR007
2.	Wand holder clip	HOL025
3.	Steel plate connector	PLA006
4.	Harness & waistband kit	HRT002
5.	Harness waistband	HAR008
6.	Screw fit hose (antistatic handpiece) 1.05m	HOA015
7.	Aluminium extendable wand 920mm	WND007
8.	Wand tool holder	CLI007
9.	Dusting brush 32mm	ACC001
10.	Crevice tool 32mm	ACC002
11.	Upholstery tool 32mm	ACC003
12.	Combination floor tool 260mm	FLT016
13.	Power cord with horizontal right angle C17 (plug type I)	PWC026
14.	Power cord with horizontal right angle C17 (plug type G)	PWC027
15.	Power cord with horizontal right angle C17 (plug type F)	PWC028
16.	Power cord with horizontal right angle C17 (plug type A)	PWC029



**WB FLOOR
MACHINES**
SALES · SERVICE · HIRE

☎ 01293 852022

✉ info@wbfloormachines.co.uk

🌐 www.wbfloormachines.co.uk

🏠 Unit 7 Burns Way, Holmbush Potteries
Estate, Horsham RH12 4ST