

SC450 B

Model:
SC450 B



Part List English

15-11-2013

Nilfisk

www.nilfisk.com

Table of Contents

SC450 B

GENERAL SYSTEM	3
SOLUTION TANK	5
RECOVERY TANK	7
HANDLE BAR AND WHEELS	9
SOLUTION SYSTEM	11
SQUEEGEE SYSTEM	13
BRUSH DECK	15
CONTROL PANEL	17
ELECTRICAL COMPONENTS	19
ACCESSORIES	21
ACCESSORIES	23
RECOMMENDED PARTS	25

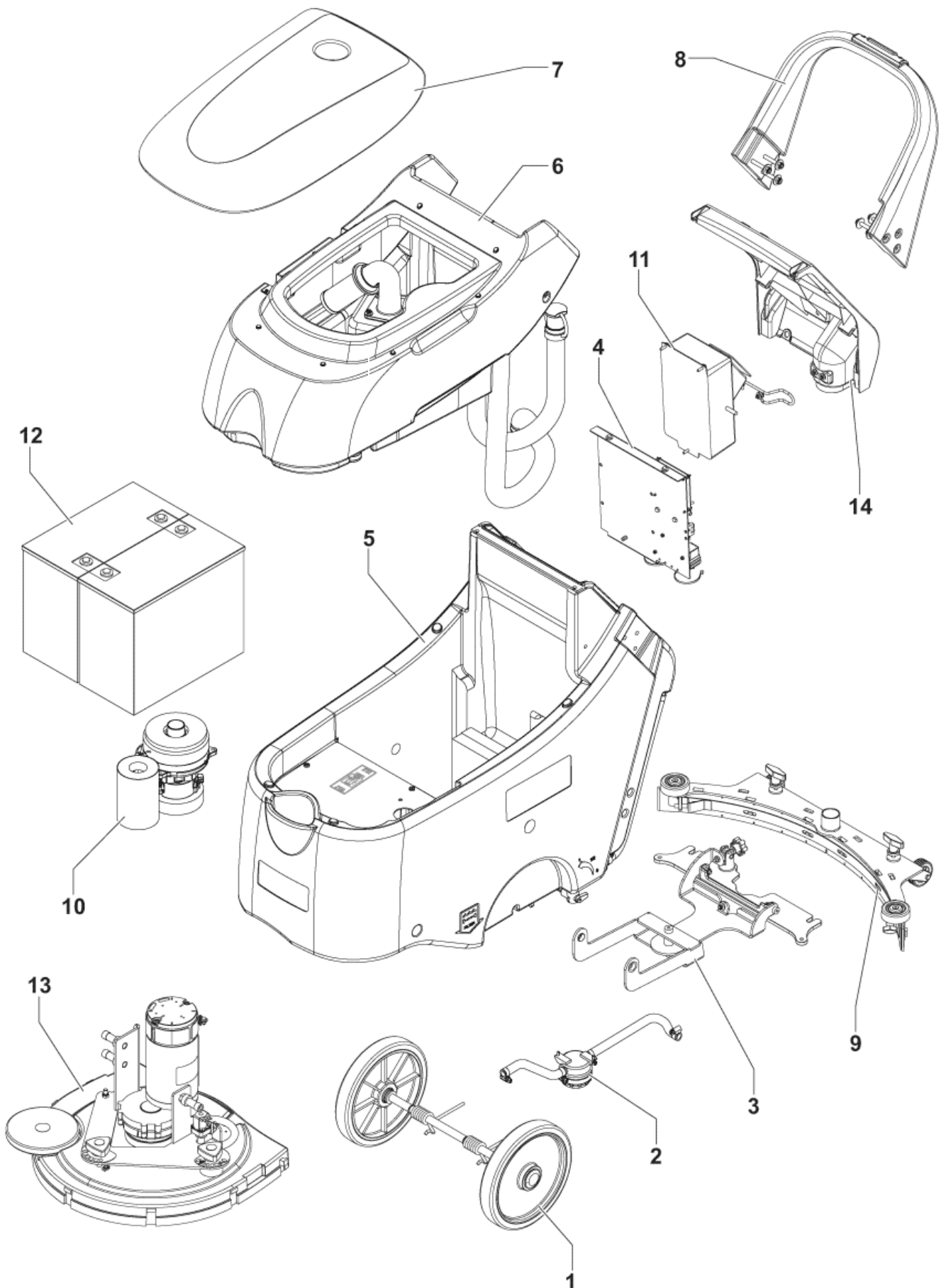
GENERAL SYSTEM

SC450 B

15-11-2013

Part List ID
SC450B000

3



GENERAL SYSTEM

SC450 B

15-11-2013

Part List ID
SC450B000

4

Pos	Part no.	Qty	Description
1		1	USE LINK
2		1	USE LINK
3		1	USE LINK
4		1	USE LINK
5		1	USE LINK
6		1	USE LINK
7		1	USE LINK
8		1	USE LINK
9		1	USE LINK
10		1	USE LINK
11		1	USE LINK
12		1	USE LINK
13		1	USE LINK
14		1	USE LINK

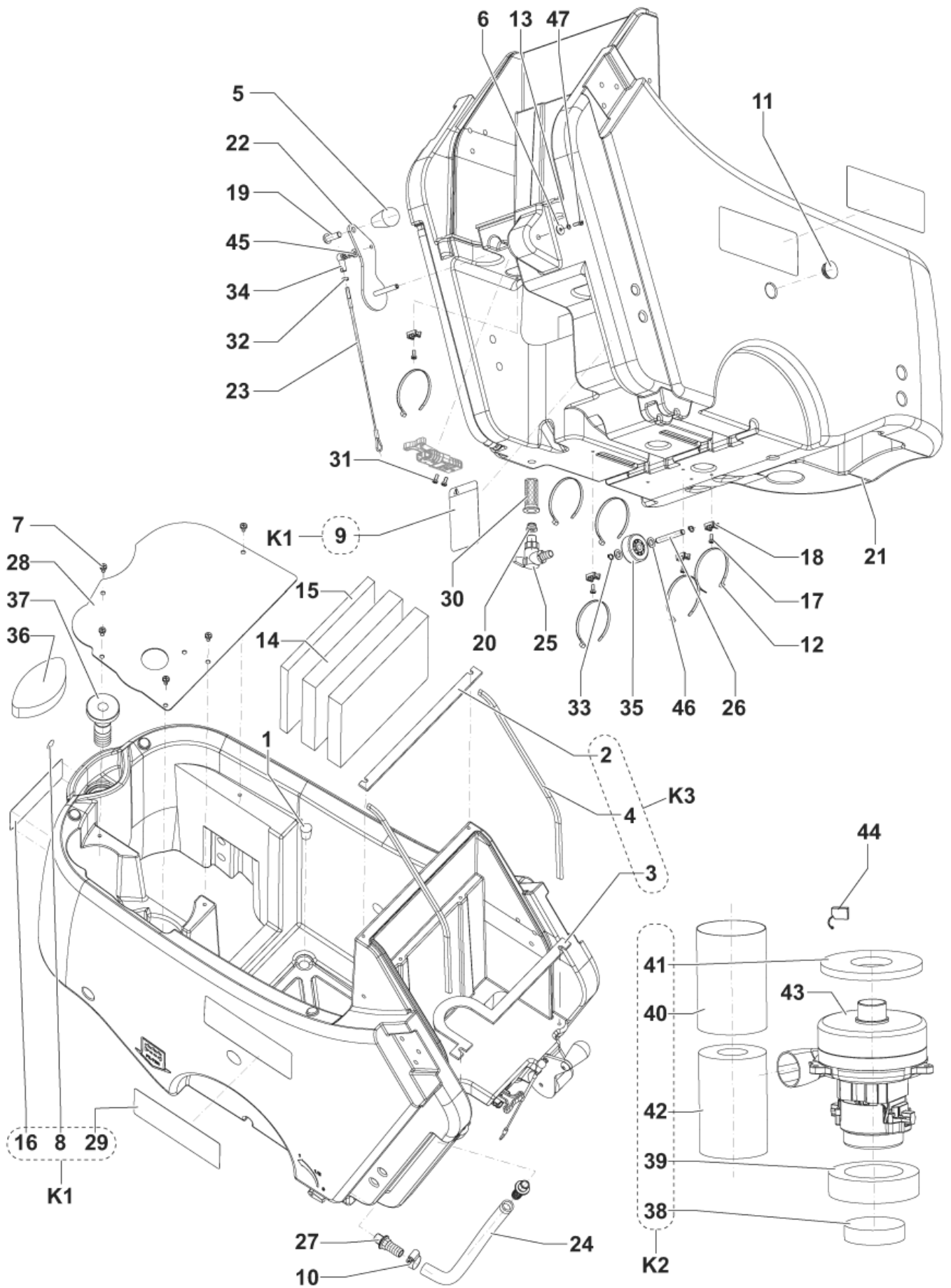
SOLUTION TANK

SC450 B

15-11-2013

Part List ID
SC450B010

5



SOLUTION TANK

SC450 B

15-11-2013

Part List ID
SC450B010

6

Pos	Part no.	Qty	Description	
14	146 0668 000	2	PANEL INSULATING	
15	145 6094 000	1	ISOLANT PANEL	
20	909 5286 000	1	GASKET	
21	9099251000	1	TANK SOLUTION	
23	9099258000	1	CABLE SQUEEGEE LIFTING	
24	9099261000	1	HOSE SOLUTION	
25	9099513000	1	VALVE ELBOW 90. D.13MM	
28	9099275000	1	PLATE VACUUM MOTOR	BEFORE SN.3510134507873
28	9100000168	1	PLATE VACUUM MOTOR	STARTING FROM SN.3510134507873
30	9096916000	1	FILTER SOLUTION TANK	OPTIONAL
35	9099953000	1	WHEEL D.50	
36	9099561000	1	SPONGE WATER ENTRANCE	
37	9097290000	1	HOSE FILLING	OPTIONAL
38	909 6672 000	1	FILTER	
43	9099922000	1	MOTOR VACUUM 330W 24V KIT	
44	909 5371 000	2	CARBON BRUSH	
K1	9099309000	1	DECAL SC450 NILFISK KIT	
K2	9099310000	1	GASKETS VACUUM MOTOR KIT	
K3	9099311000	1	GASKETS KIT	
K4	9099312000	1	HARDWARE SOLUTION TANK KIT	NOT SHOWN (POS.1-5-6-7-10-11-12-13-17-18-19-22-26-

position 35 9099953000 starting from serial number 3510124805613

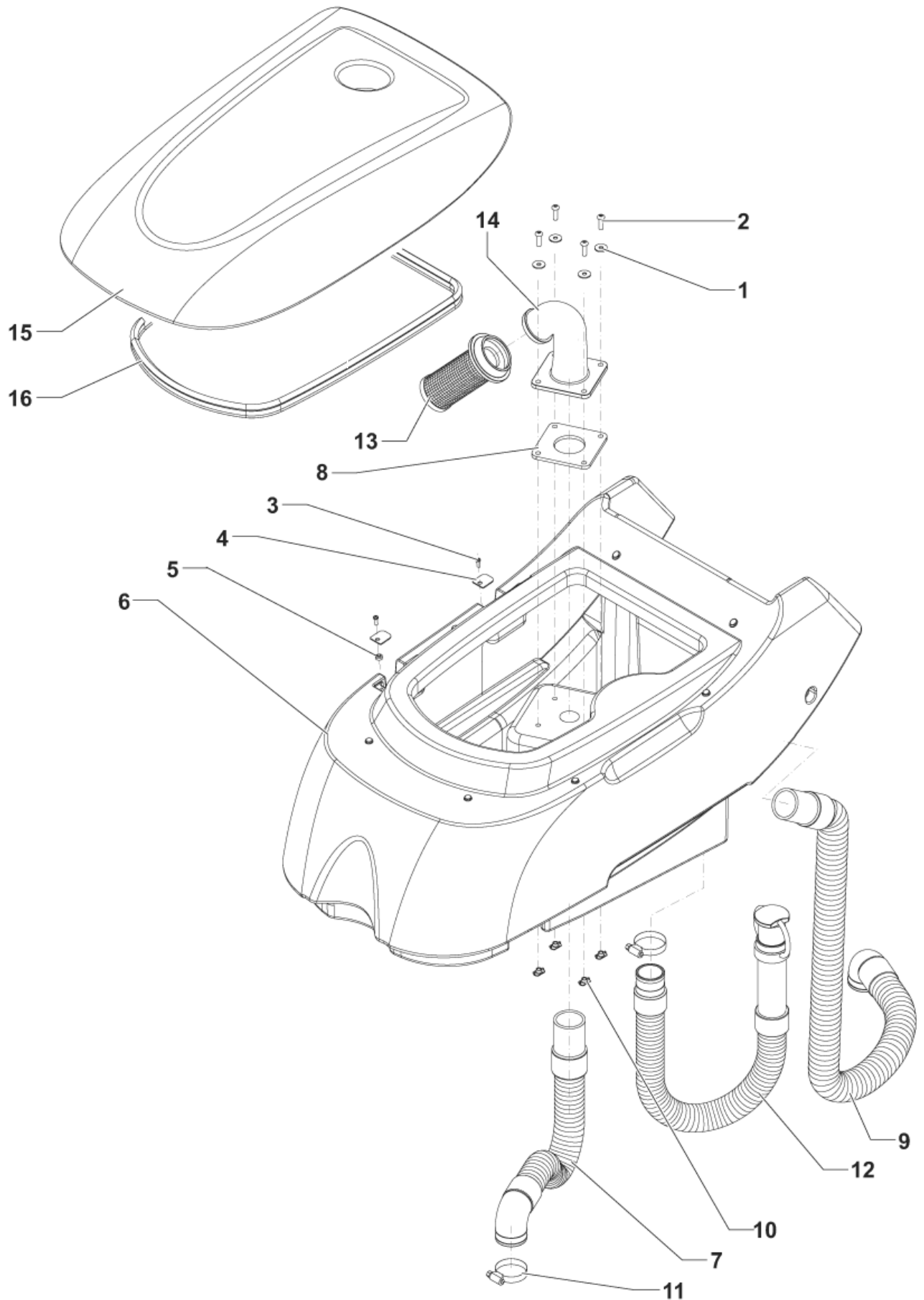
RECOVERY TANK

SC450 B

15-11-2013

Part List ID
SC450B020

7



RECOVERY TANK

SC450 B

15-11-2013

Part List ID
SC450B020

8

Pos	Part no.	Qty	Description	
6	9099252000	1	TANK RECOVERY	
7	9099255000	1	HOSE VACUUM MOTOR	
8	9099276000	1	GASKET FLOAT CAGE HOLDER	
9	9099281000	1	HOSE SUCTION	
12	9099692000	1	HOSE DRAIN KIT	
13	9099559000	1	FLOAT SHUT OFF	
14	9099558000	1	ELBOW FLOAT HOLDER	
15	9099253000	1	COVER TANK	
16	9099342000	1	GASKET COVER TANK KIT	
K1	9099313000	1	HARDWARE RECOVERY TANK KIT	NOT SHOWN (POS.1-2-3-4-5-10-11)

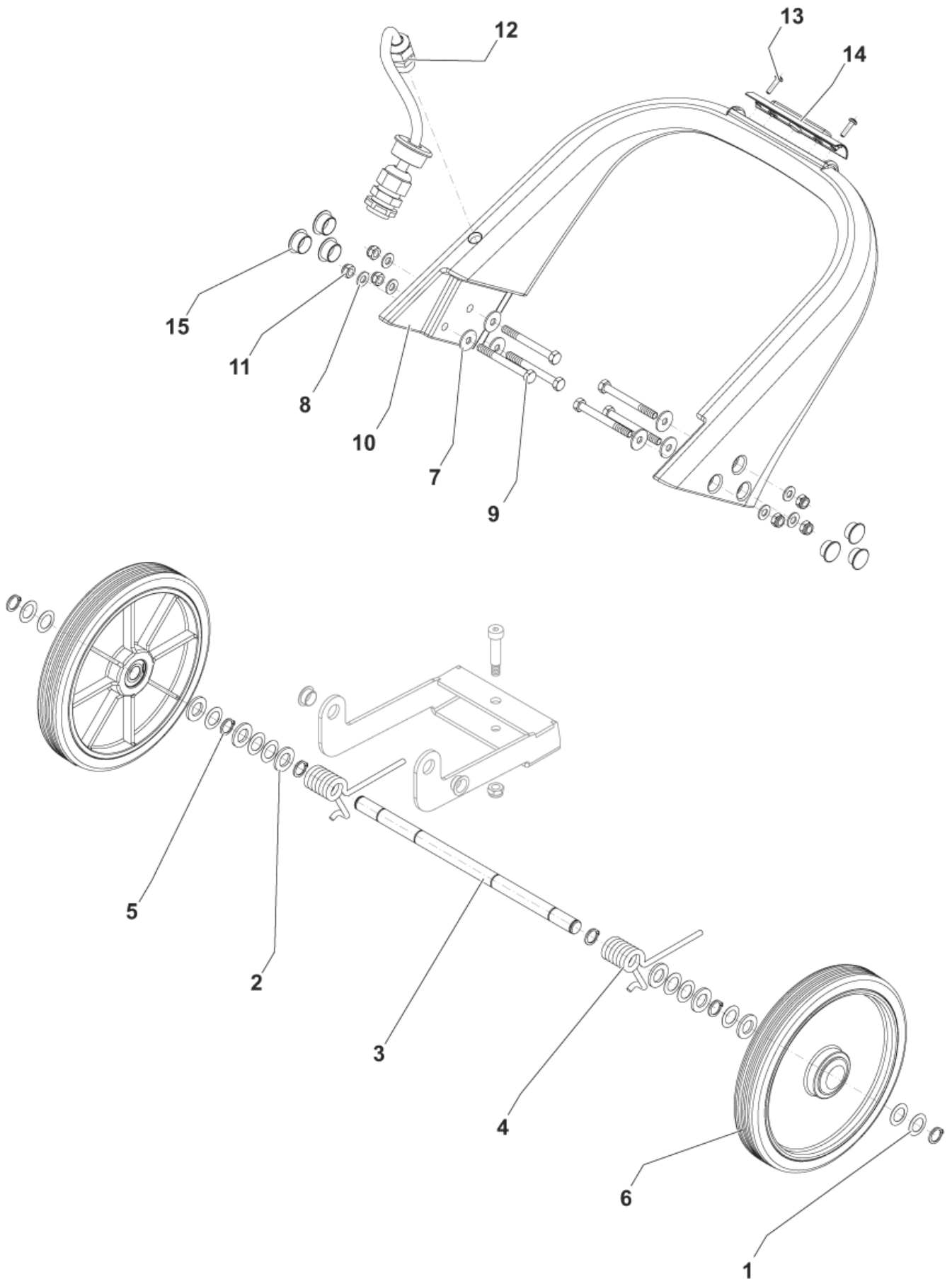
HANDLE BAR AND WHEELS

SC450 B

15-11-2013

Part List ID
SC450B030

9



HANDLE BAR AND WHEELS

SC450 B

15-11-2013

Part List ID
SC450B030

10

Pos	Part no.	Qty	Description	
3	9099256000	1	SHAFT WHEELS	
6	9099270000	2	WHEEL D.254	
10	9099254000	1	HANDLE BAR PLASTIC	
12	9099285000	1	HARNESS HANDLE BAR	
14	11178A	1	SWITCH HANDLE ASSY	
K1	9099315000	1	HARDWARE HANDLE BAR AND WHEELS KIT	NOT SHOWN (POS.1-2-4-5-7-8-9-11-13-15)

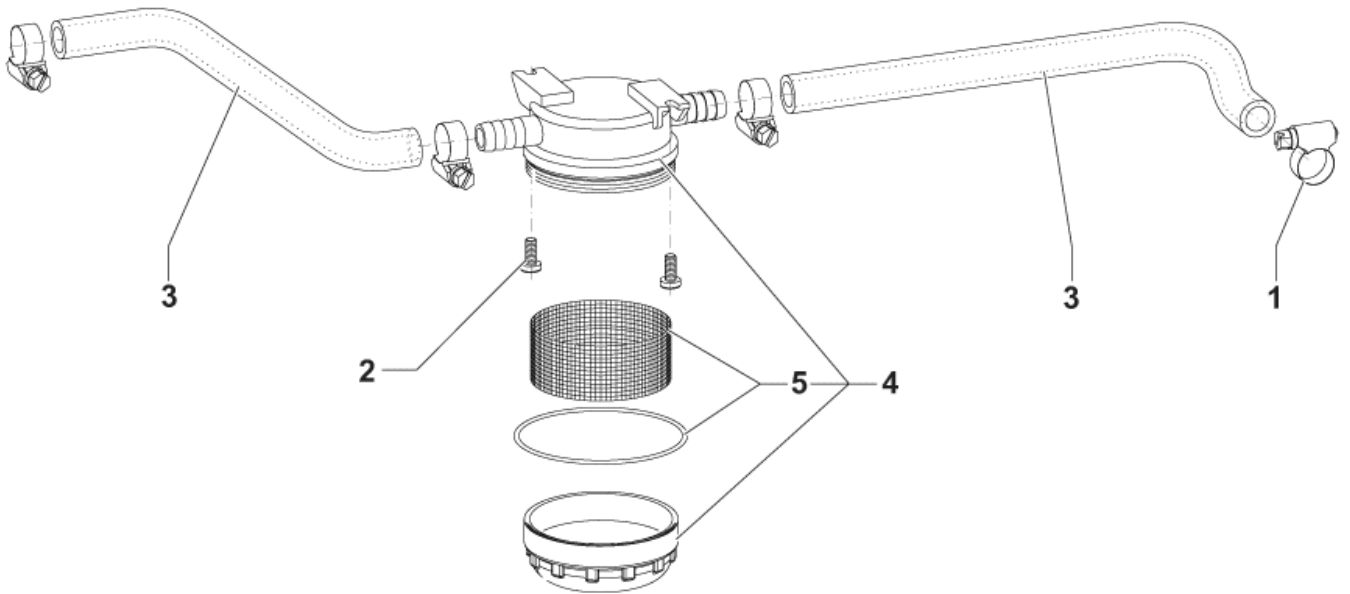
SOLUTION SYSTEM

SC450 B

15-11-2013

Part List ID
SC450B040

11



SOLUTION SYSTEM

SC450 B

15-11-2013

Part List ID
SC450B040

12

Pos	Part no.	Qty	Description
1	33003496	4	CLAMP 09/12-22
2	909 5009 000	2	SCREW
3	9099337000	2	HOSE D.12 KIT
4	9100000362	1	FILTER WATER
5	909 5215 000	1	NET & GASKET WATER FILTER

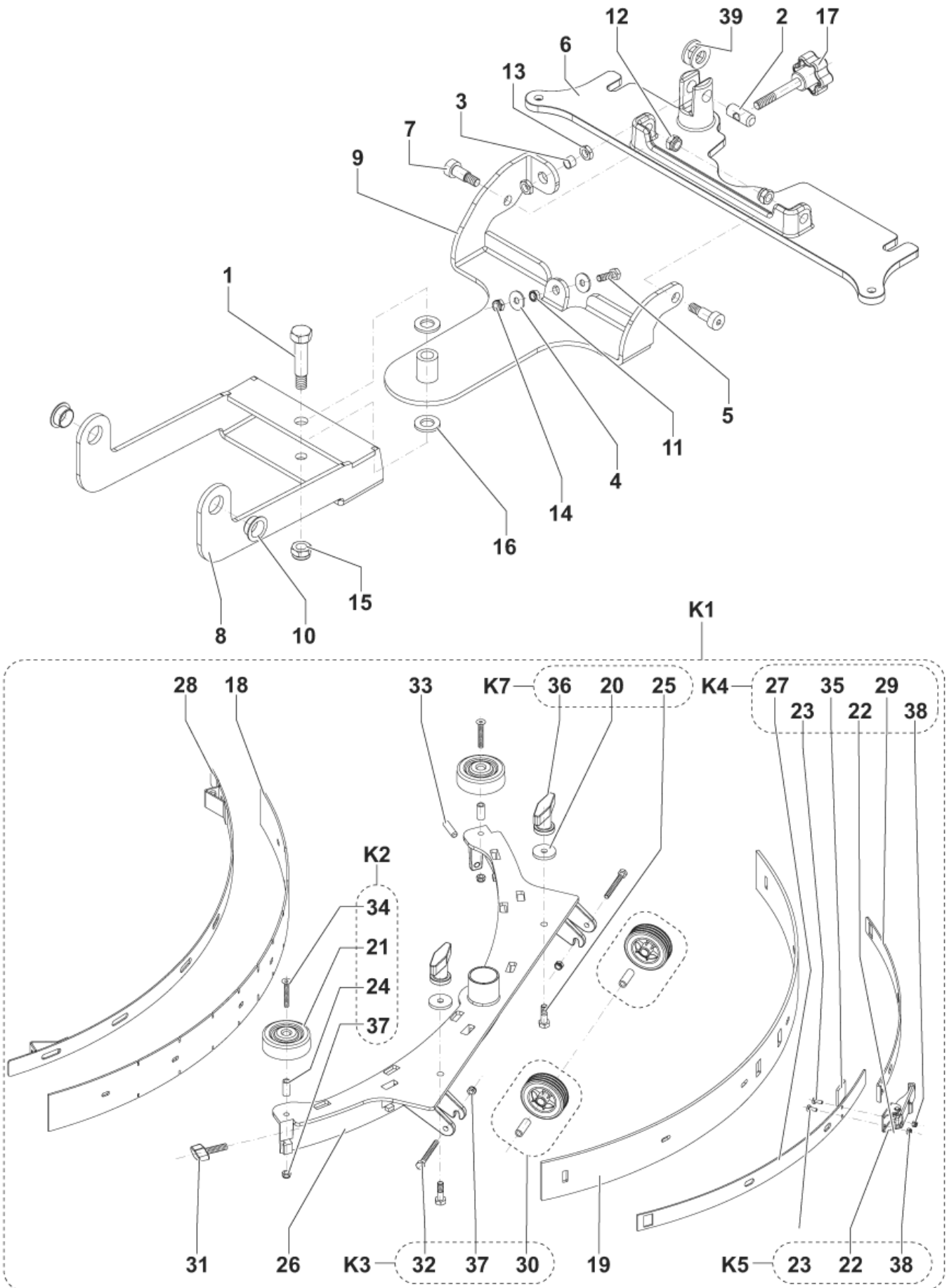
SQUEEGEE SYSTEM

SC450 B

15-11-2013

Part List ID
SC450B050

13



SQUEEGEE SYSTEM

SC450 B

15-11-2013

Part List ID
SC450B050

14

Pos	Part no.	Qty	Description	
6	909 6045 000	1	SUPPORT, SQUEEGEE	
8	9099249000	1	SUPPORT SQUEEGEE FRONT	
9	9099250000	1	SUPPORT SQUEEGEE REAR	
26	909 6044 000	1	WELDMENT,SQUEEGEE TOOL	
28	909 6055 000	1	STRAP,SQUEEGEE FRONT	
31	909 6551 000	1	KNOB M8X30 SS	
33	909 6600 000	1	SCREW GRUB M8X30 UNI5929	
K1	909 6851 000	1	SQUEEGEE KIT COMPLETE	
K2	909 6884 000	1	ROLLER BUMPER SQUEEG. KIT	
K3	909 6883 000	1	WHEEL SQUEEGEE KIT	
K4	909 6882 000	1	HARDWARE SQU.BLADE FIXING	
K5	909 6394 000	1	LATCH SQUEEGEE KIT	
K6	909 6858 000	1	BLADE,POLYURET. KIT 30"	OPTION - NOT SHOWN
K6	909 6860 000	1	BLADE, STD KIT 30"	NOT SHOWN (POS.18-19)
K7	9097637000	1	SQUEEGEE FIXING KIT	
K8	9099322000	1	HARDWARE SQUEEGEE SUPPORT KIT	NOT SHOWN (POS.1-2-3-4-5-7-10-11-12-13-14-15-16-17)

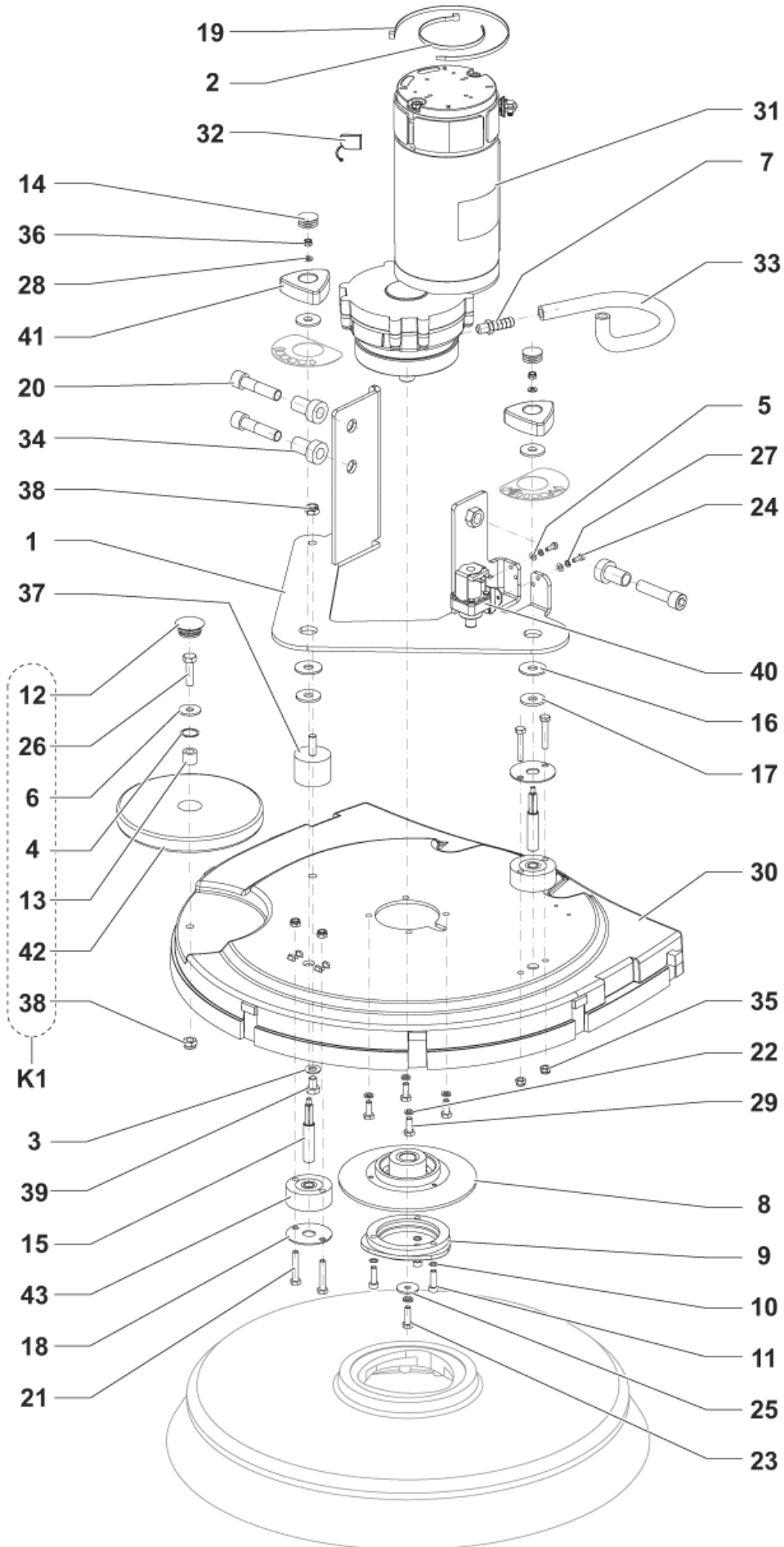
BRUSH DECK

SC450 B

15-11-2013

Part List ID
SC450B060

15



BRUSH DECK

SC450 B

15-11-2013

Part List ID
SC450B060

16

Pos	Part no.	Qty	Description	
1	9099259000	1	PLATE BRUSH DECK HOLDER	
8	L08812306	1	Poly gon flange (s/s) replaced by 08812589	
9	L08812480	1	Poly gon holder	
23	145 0492 000	1	Screw TE M 6x 25 inox (m in10)	
25	145 0493 000	1	Plane washer 6x24 INOX	
30	909 6042 000	1	DECK BRUSH	
31	9099324000	1	REDUCTION GEARMOTOR 480W 24V KIT	INCLUDES ITEM 9100000168
32	909 5380 000	1	CARBON BRUSH	FOR RED.MOTOR 9099324000 - SEE NOTE
33	9099341000	1	HOSE POLYESTER REINF. D.10 L.250 KIT	
37	9097184000	1	VIBRATION DAMPING M8 60SH	
40	9099563000	1	SOLENOID VALVE 24V	
41	L08812203	2	Knob	
43	L08812213	2	Buffer	
K1	909 6887 000	1	ROLLER BUMPER KIT	
K2	9099326000	1	HARDWARE BRUSH DECK KIT	NOT SHOWN (POS.2-3-5-7-10-11-14-15-16-17-18-19-20-

[]: ITEM NOT SHOWN

FOR RED.MOTOR 9099324000: IF MODEL LEROY SOMER GM462200 CARBON BRUSHES KIT 909 5380 000

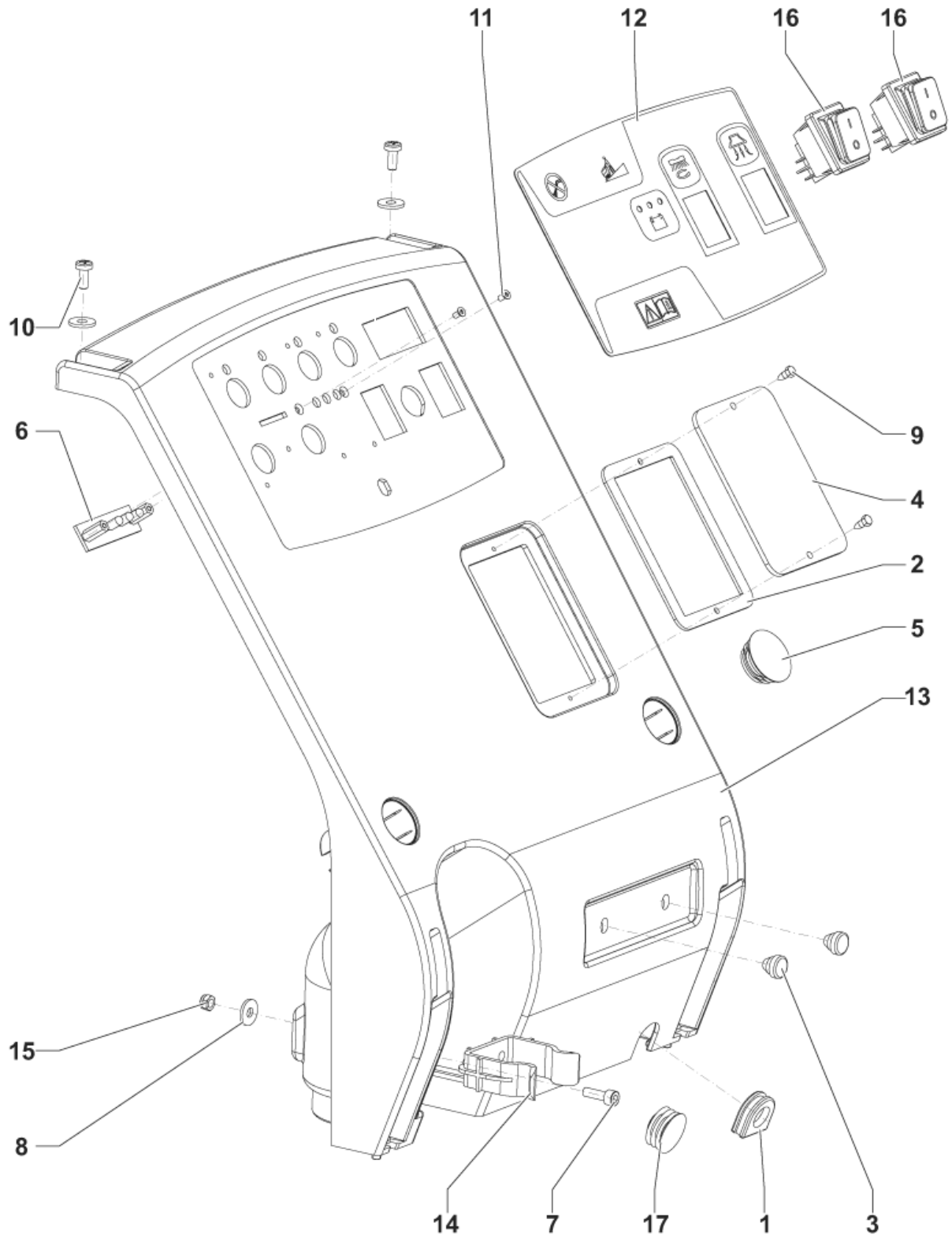
CONTROL PANEL

SC450 B

15-11-2013

Part List ID
SC450B070

17



CONTROL PANEL

SC450 B

15-11-2013

Part List ID
SC450B070

18

Pos	Part no.	Qty	Description	
4	909 6655 000	1	COVER F INSPECTION PLATE	
6	L08812909	1	BOARD LED	
12	9099271000	1	DECAL CONTROL PANEL BA	
13	9099279000	1	COVER BOX ELECTRIC COMP.	
16	107404540	2	SWITCH 0-1 DOUBLE POLE SET	
K1	9099327000	1	HARDWARE CONTROL PANEL BA KIT	NOT SHOWN (POS.1-2-3-5-7-8-9-10-11-14-15-17)

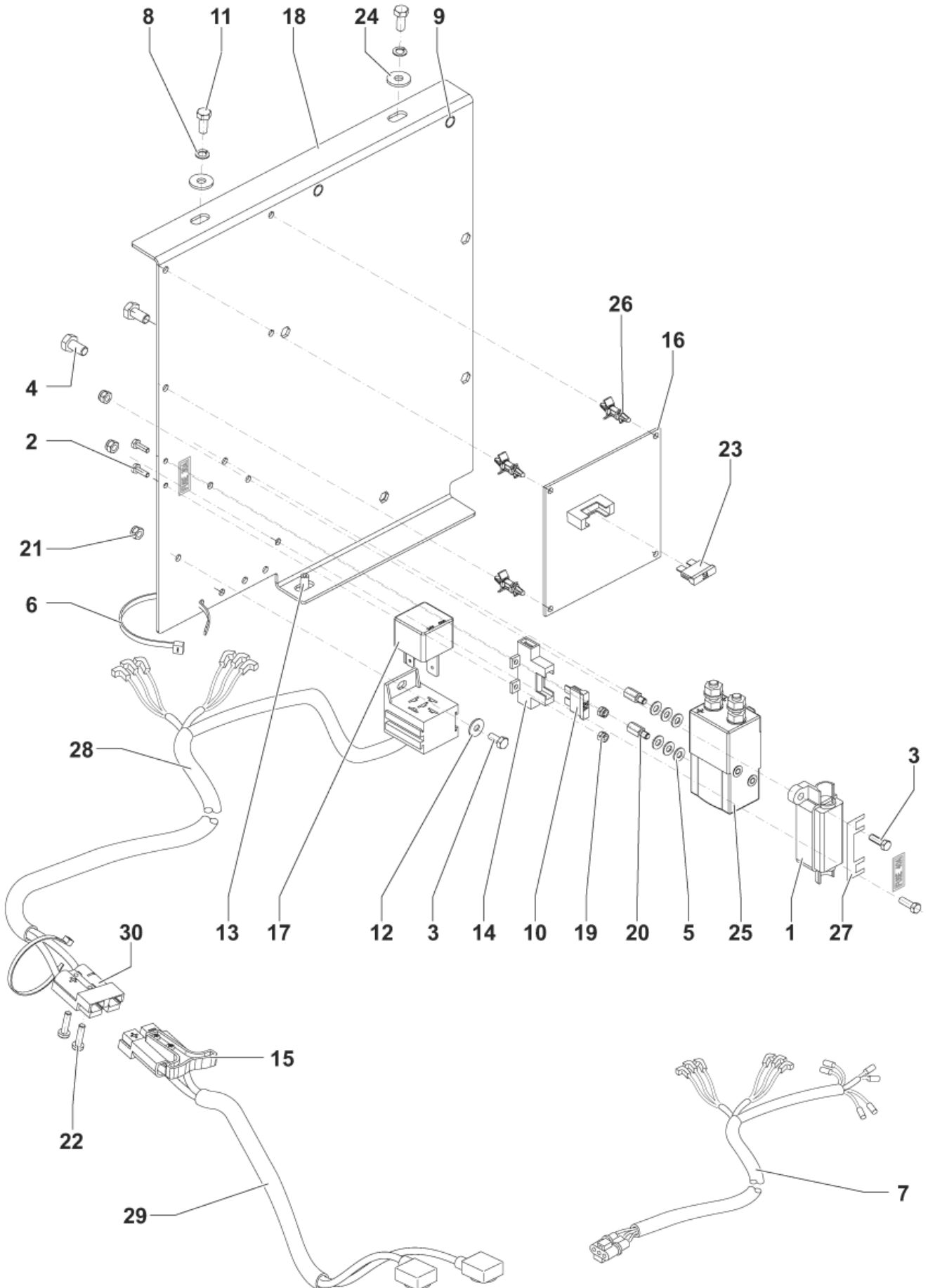
ELECTRICAL COMPONENTS

SC450 B

15-11-2013

Part List ID
SC450B080

19



ELECTRICAL COMPONENTS

SC450 B

15-11-2013

Part List ID
SC450B080

20

Pos	Part no.	Qty	Description
1	145 8046 000	1	Fuse Holder
7	9099268000	1	HARNESS MACHINE
10	145 8513 000	1	Fuse 30A
14	146 0660 000	1	Holder fuse
15	1464116000	1	HANDLE RED PLASTIC SB 120
16	9099967000	1	CARD ELECTRONIC KIT
17	909 6622 000	1	RELAY 24V 40A
18	909 6498 000	1	SUPPORT ELECTRIC COMP.
23	145 9852 000	1	Fuse 5A
25	146 0719 000	1	SWITCH ELECTROMAGNETIC 24V
27	145 3824 000	1	Fuse 40A
28	9099291000	1	HARNESS ELECTRIC COMP. BOX
29	L08603889	1	HARNESS BATTERY
30	9098761000	2	CONNECTOR 50A RED
K1	9099328000	1	HARDWARE ELECTRIC COMP. KIT

NOT SHOWN (POS.2-3-4-5-6-8-9-11-12-13-19-20-21-22-

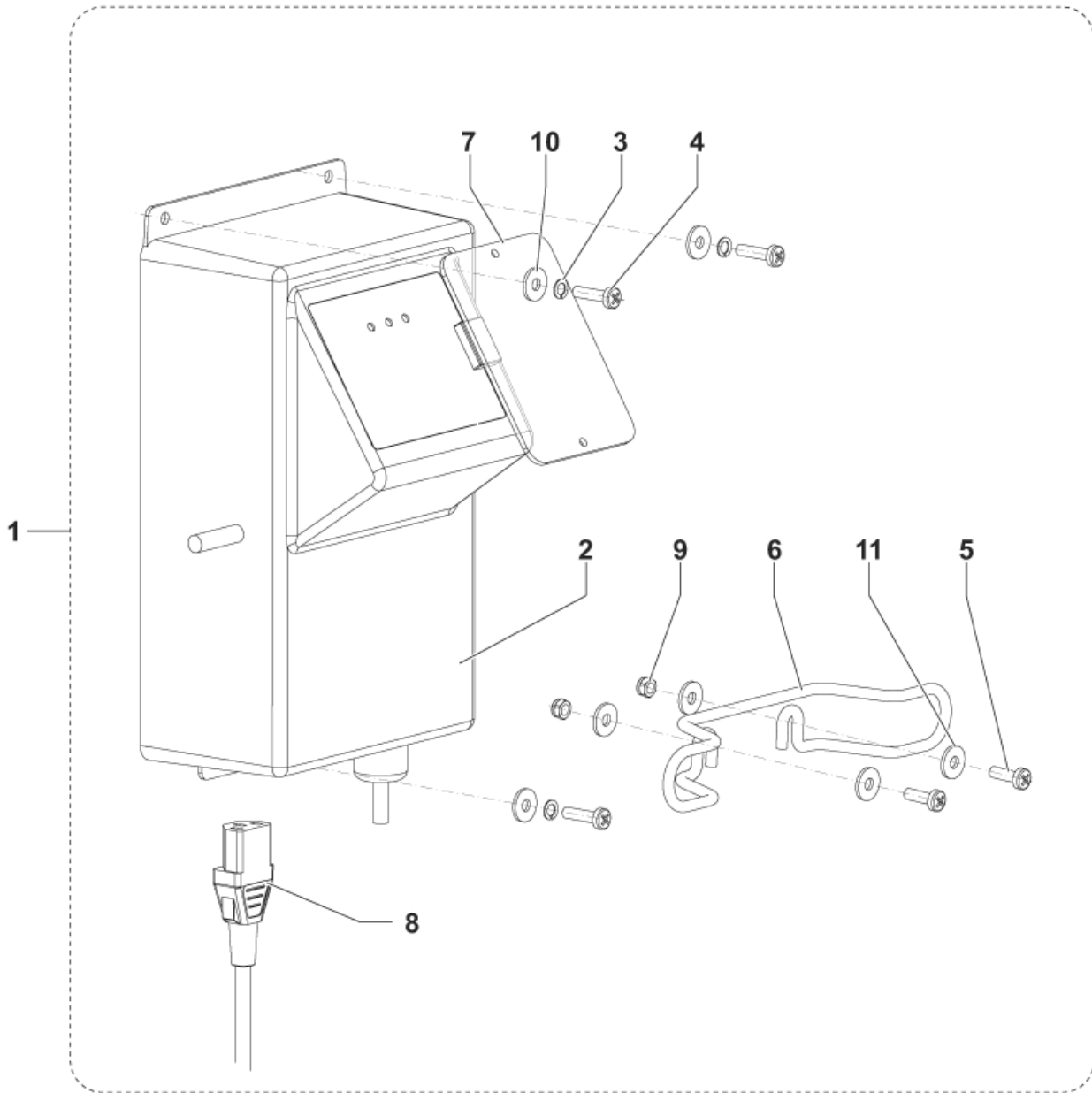
ACCESSORIES

SC450 B

15-11-2013

Part List ID
SC450B090

21



ACCESSORIES

SC450 B

15-11-2013

Part List ID
SC450B090

22

Pos	Part no.	Qty	Description
1	909 6739 000	1	CHARGER BATTERY CPL KIT OPT.INST.INSTR.909 6746 000
2	9098297000	1	BATTERY CHARGER
5	146 2090 000	2	SCREW M5X16 UNI7687
6	909 5149 000	1	CABLE SUPPORT
7	909 5313 000	1	PLATE INSPECTION,TRANSP.
8	909 5633 000	1	CABLE EXTENTION
8	909 5676 000	1	CABLE EXTENTION UK PLUG
8	9096914000	1	CABLE EXTENSION
9	33005603	2	NUT SELF L. M5 UNI7474
11	145 1261 000	2	plain washer 5 x 15 zn

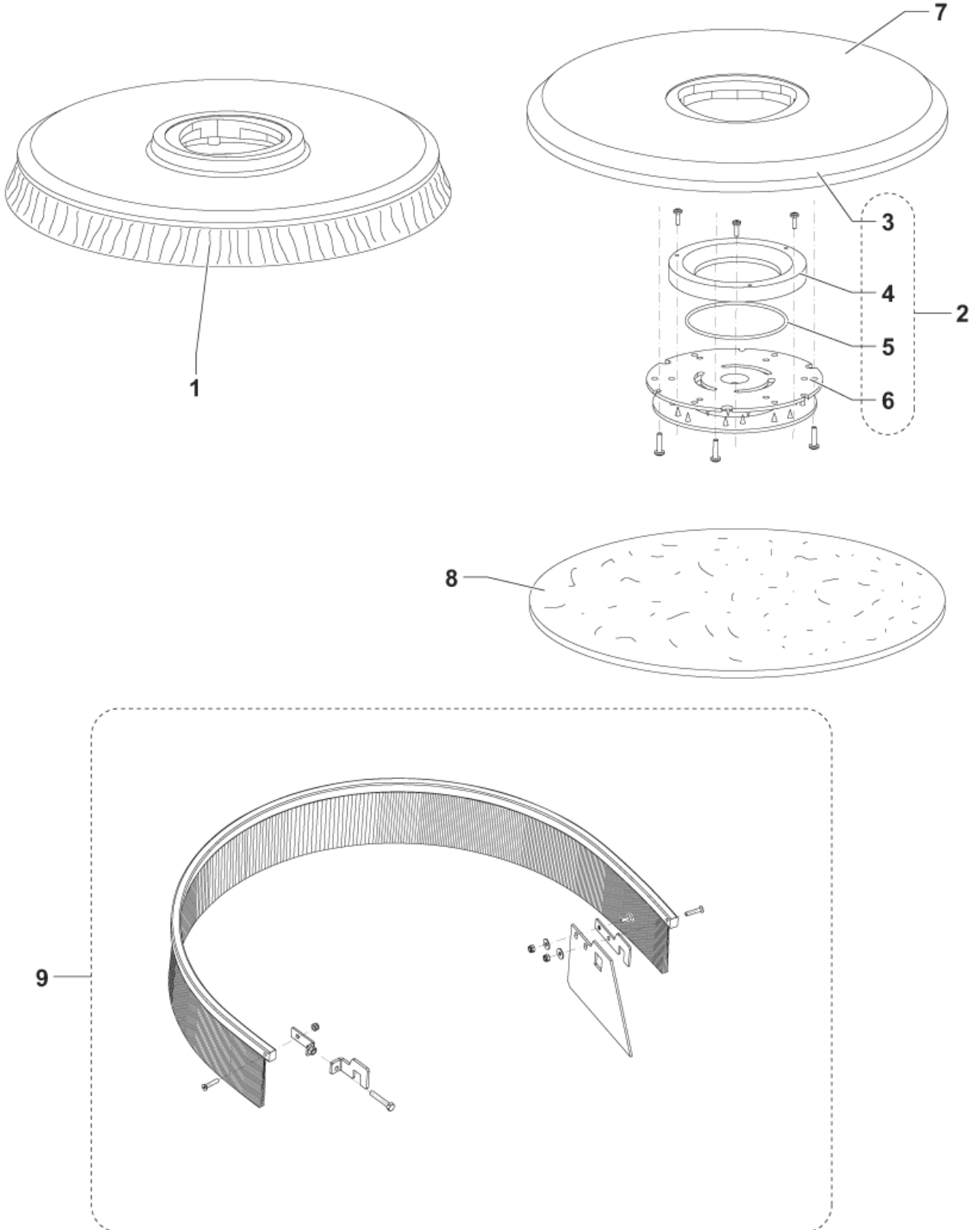
ACCESSORIES

SC450 B

15-11-2013

Part List ID
SC450B100

23



ACCESSORIES

SC450 B

15-11-2013

Part List ID
SC450B100

24

Pos	Part no.	Qty	Description	
1	L08837025	1	PROLENE MEDIUM 0,7MM 53CM BRUSH	OPTION
1	L08837026	1	PROLITE SOFT 0.5MM 53CM BRUSH	OPTION
1	L08837027	1	UNION MIX BRUSH 53CM	OPTION
1	L08837065	1	MAGNA GRIT 46 BRUSH 53CM EXTREME HEAVY DUTY	OPTION
1	L08837066	1	DYNA GRIT 80 BRUSH	OPTION
2	9099671000	1	PAD HOLDER 21 530MM	OPTION
3	9099671000	1	PAD HOLDER 21 530MM	
3	9099671000	1	PAD HOLDER 21 530MM	OPTION
4	L08603966	1	RING NYLON	
5	L08603965	1	O-RING 2.62X82.22 -3325-NBR 40SH	
6	L08837030	1	RETAINER PAD	
7	9099671000	1	PAD HOLDER 21 530MM	OPTION
8	10001961	1	PAD 21 530MM ECO BLACK 5 PCS	OPTION
8	10001961	1	PAD 21 530MM ECO BLACK 5 PCS	OPTION
8	10001962	1	PAD 21 530MM ECO BLUE 5 PCS	OPTION
8	10001963	1	PAD 21 530MM ECO BROWN 5 PCS	OPTION
8	10001964	1	PAD 21 530MM ECO GREEN 5 PCS	OPTION
8	10001965	1	PAD 21 530MM ECO RED 5 PCS	OPTION
8	10001966	1	PAD 21 530MM ECO WHITE 5 PCS	OPTION
8	10002352	1	PAD 21 533MM ECO BRILLIANCE RED 2PCS	OPTION
8	10002354	1	PAD 21 533MM ECO BRILLIANCE YELLOW 2PCS	OPTION
8	10002355	1	PAD 21 533MM ECO BRILLIANCE GREEN 2PCS	OPTION
9	909 6736 000	1	SPLASH GUARD KIT 531-551	OPTION - INST. INSTRUCTION 909 6745 000

RECOMMENDED PARTS

SC450 B

15-11-2013

Part List ID
SC450B110

25

No Drawing For Part List

RECOMMENDED PARTS

SC450 B

15-11-2013

Part List ID
SC450B110

26

Pos	Part no.	Qty	Description	
0	107404540	2	SWITCH 0-1 DOUBLE POLE SET	E O M
0	11178A	1	SWITCH HANDLE ASSY	E O M
0	145 3824 000	1	Fuse 40A	E O M
0	145 8513 000	1	Fuse 30A	E O M
0	145 9852 000	1	Fuse 5A	E O M
0	146 0719 000	1	SWITCH ELECTROMAGNETIC 24V	E O M
0	909 5215 000	1	NET & GASKET WATER FILTER	OM
0	909 5371 000	1	CARBON BRUSH	NW
0	909 5380 000	1	CARBON BRUSH	NW
0	909 6622 000	1	RELAY 24V 40A	E O M
0	909 6736 000	1	SPLASH GUARD KIT 531-551	NW
0	909 6860 000	1	BLADE, STD KIT 30"	NW
0	909 6887 000	1	ROLLER BUMPER KIT	E O M
0	9097184000	1	VIBRATION DAMPING M8 60SH	OM
0	9098297000	1	BATTERY CHARGER	E O M
0	9098761000	2	CONNECTOR 50A RED	E O M
0	9099255000	1	HOSE VACUUM MOTOR	OM
0	9099258000	1	CABLE SQUEEGEE LIFTING	OM
0	9099268000	1	HARNESS MACHINE	E O M
0	9099270000	2	WHEEL D.254	OM
0	9099271000	1	DECAL CONTROL PANEL BA	E O M
0	9099281000	1	HOSE SUCTION	OM
0	9099291000	1	HARNESS ELECTRIC COMP. BOX	E O M
0	9099310000	1	GASKETS VACUUM MOTOR KIT	OM
0	9099311000	1	GASKETS KIT	OM
0	9099324000	1	REDUCTION GEAR MOTOR 480W 24V KIT	OM
0	9099342000	1	GASKET COVER TANK KIT	OM
0	9099513000	1	VALVE ELBOW 90. D.13MM	OM
0	9099563000	1	SOLENOID VALVE 24V	OM
0	9099671000	1	PAD HOLDER 21 530MM	OM
0	9099692000	1	HOSE DRAIN KIT	OM
0	9099922000	1	MOTOR VACUUM 330W 24V KIT	OM
0	9099953000	1	WHEEL D.50	OM
0	9099967000	1	CARD ELECTRONIC KIT	E O M
0	910000362	1	FILTER WATER	OM
0	L08837025	1	PROLENE MEDIUM 0,7MM 53CM BRUSH	NW