

Numatic

HFS & HFM 1015 / 1023

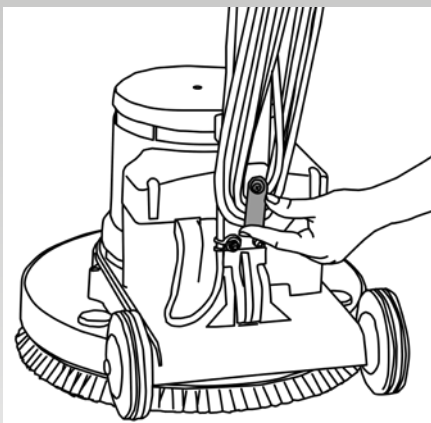
HFM 1515 / 1523 / 1530

FMH 1515

HFT 1530

HFM 1545

FLOORMACHINE



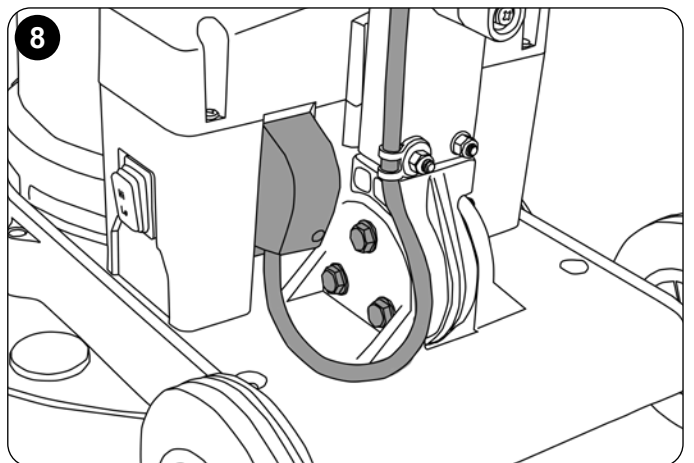
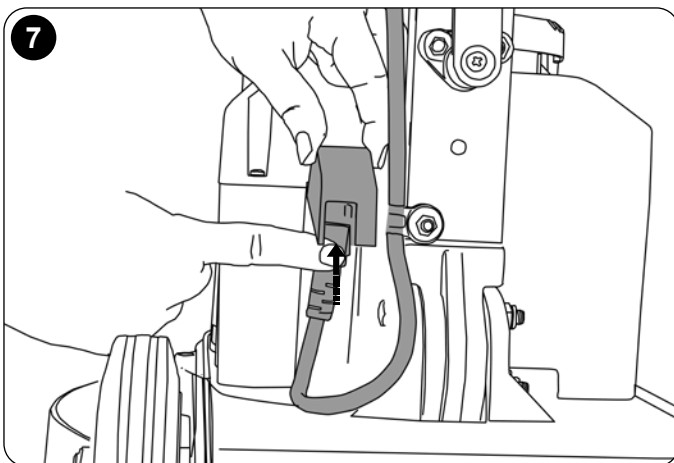
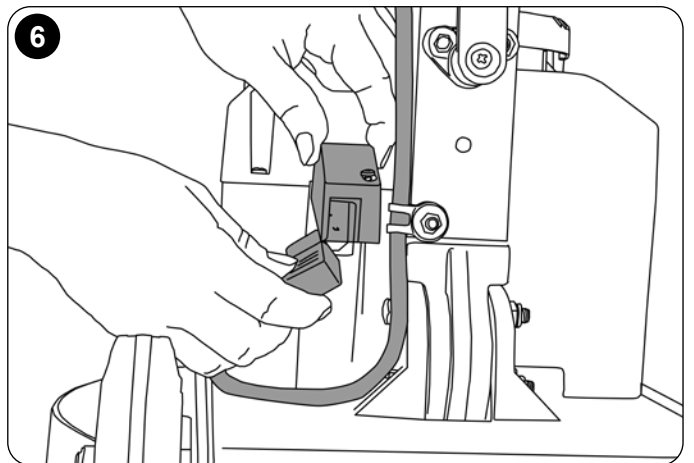
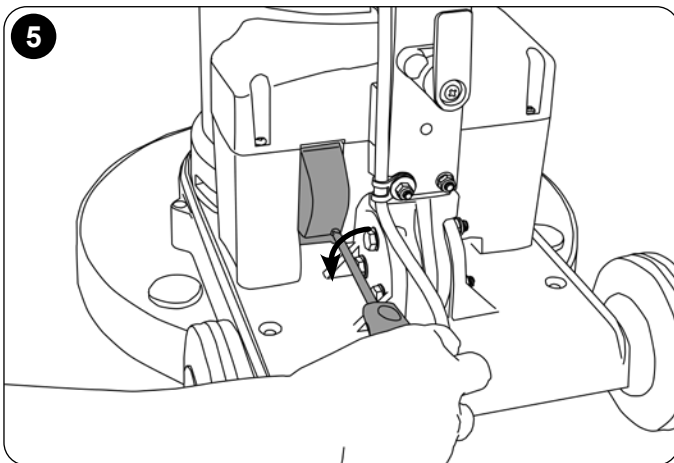
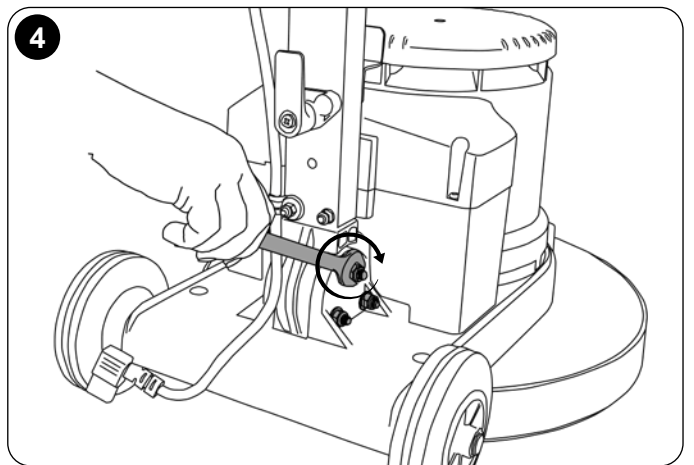
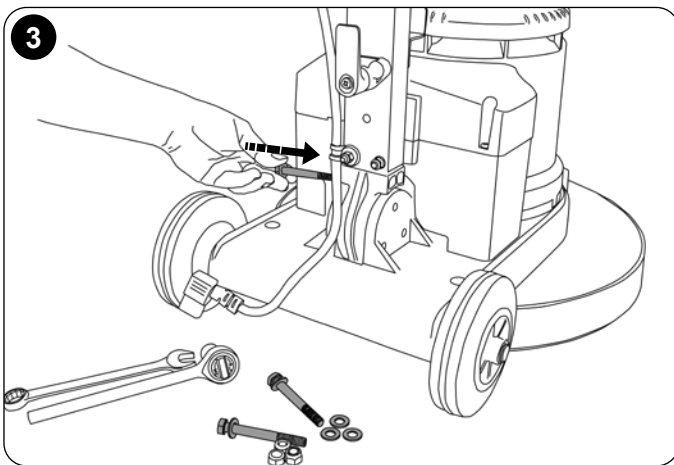
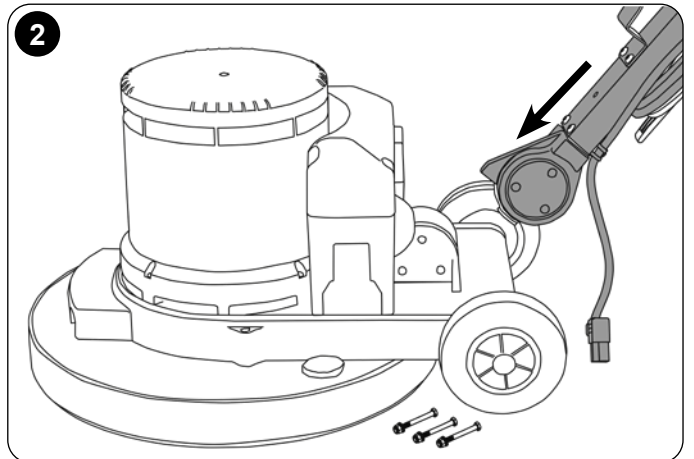
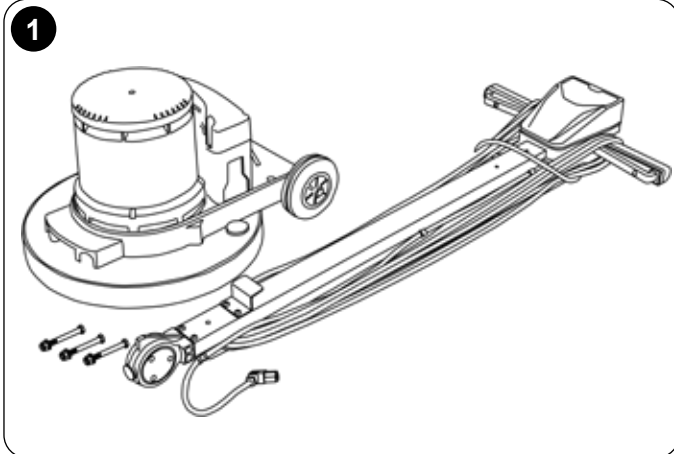
Owner Instructions



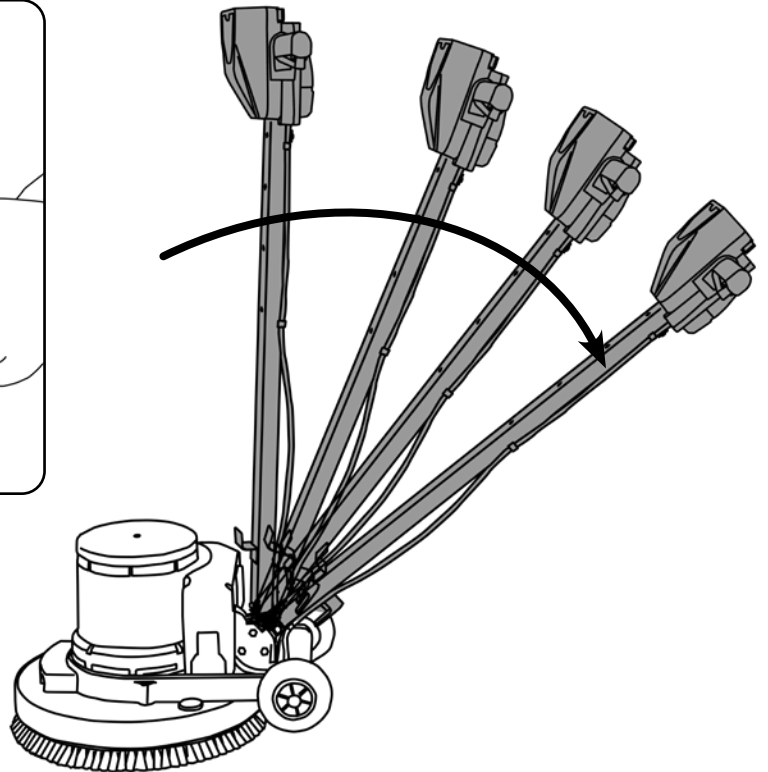
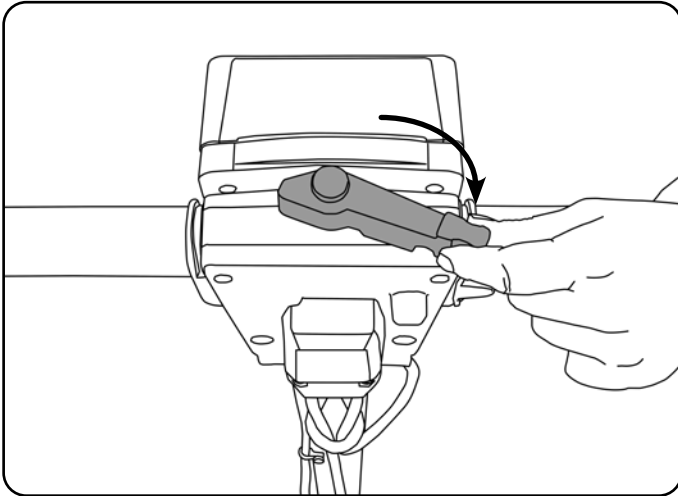
CAUTION, Read instructions before using the machine

GB
numatic.com

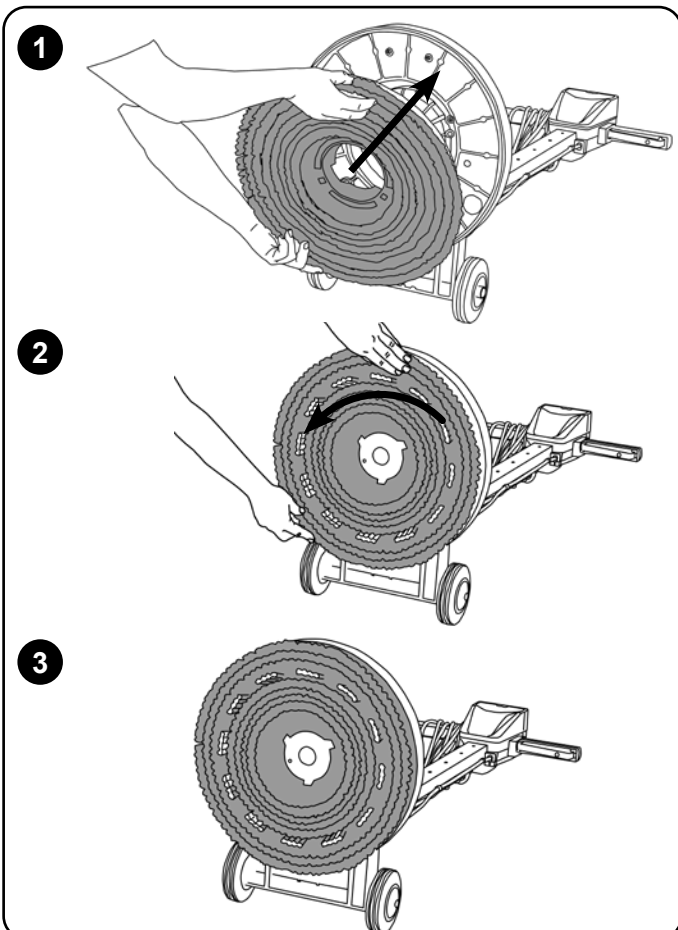
Assembly



Tipping the Handle

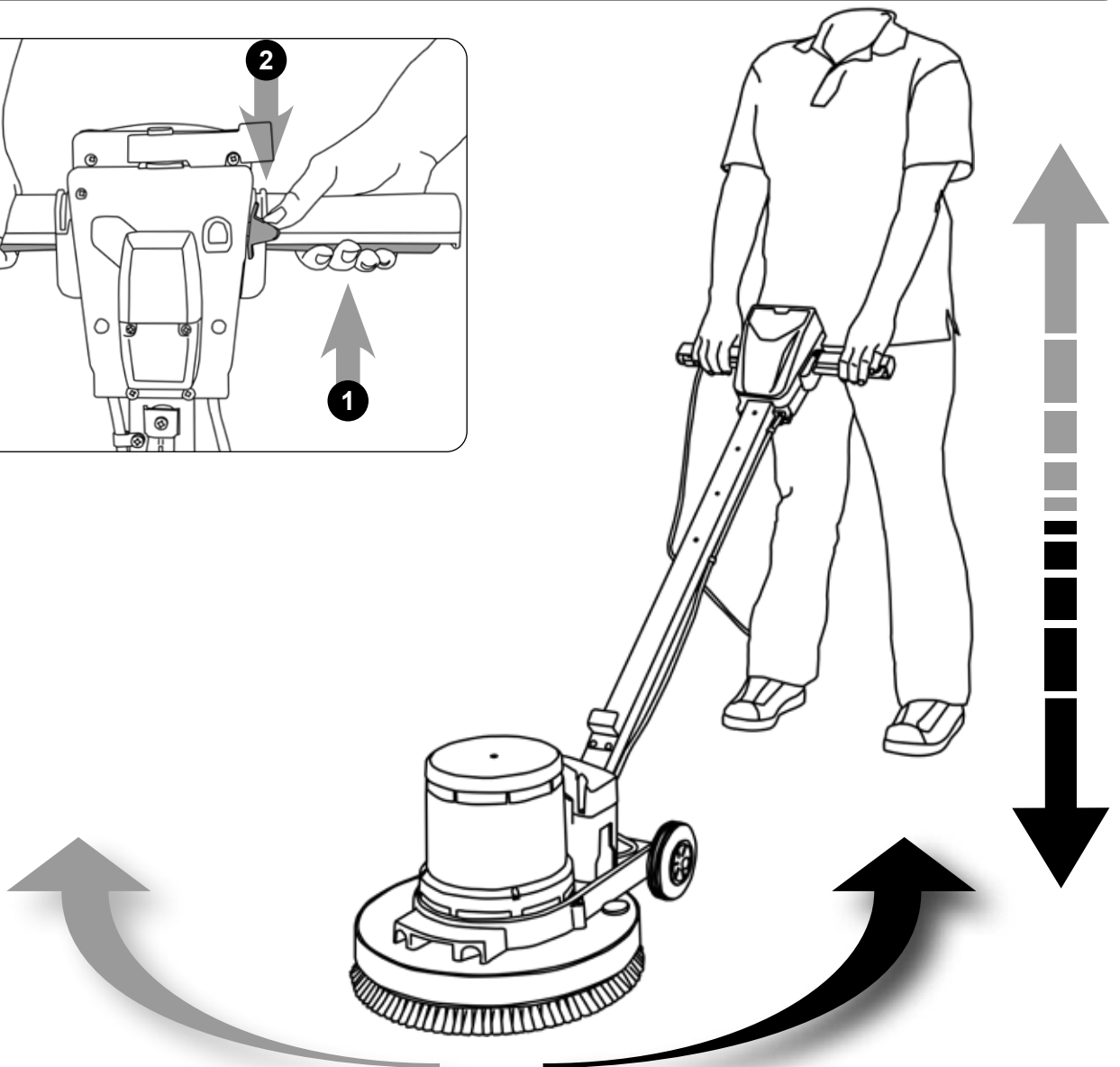
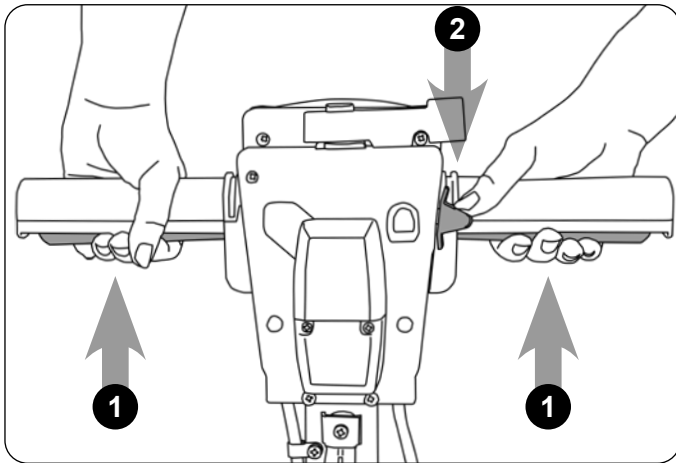


Fitting the Brush

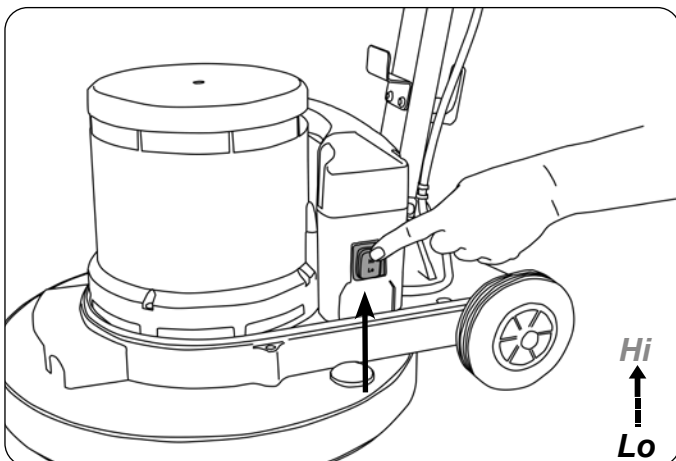


Rear Transport Wheels

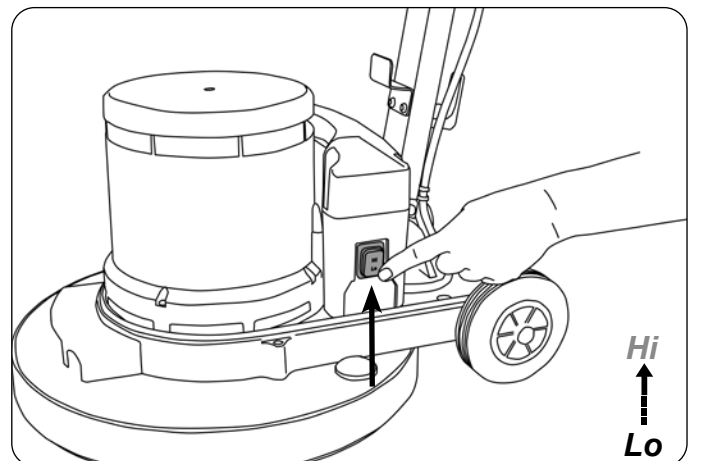
Using Your Machine



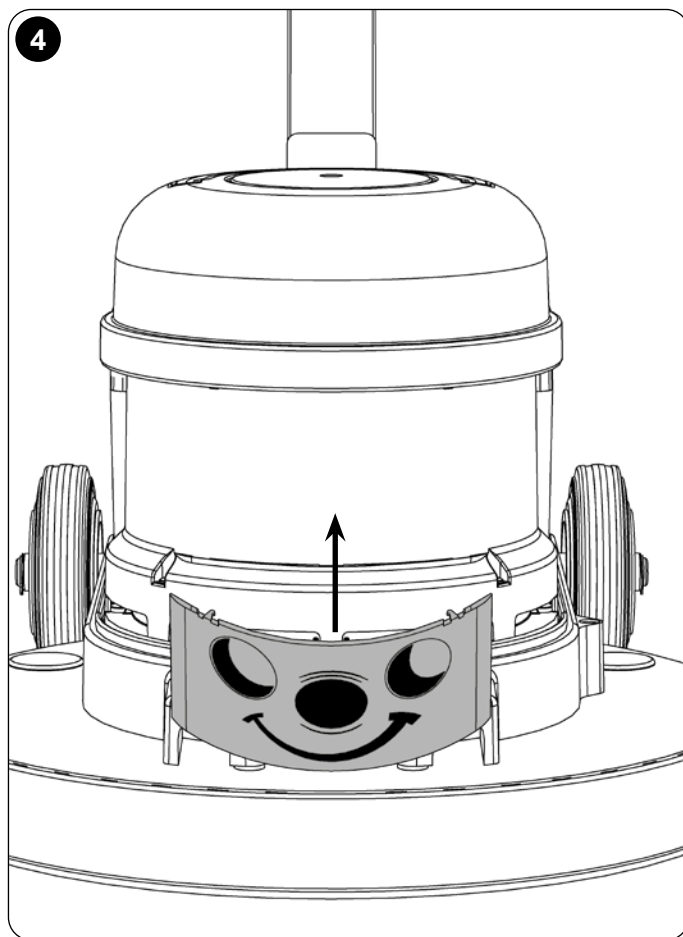
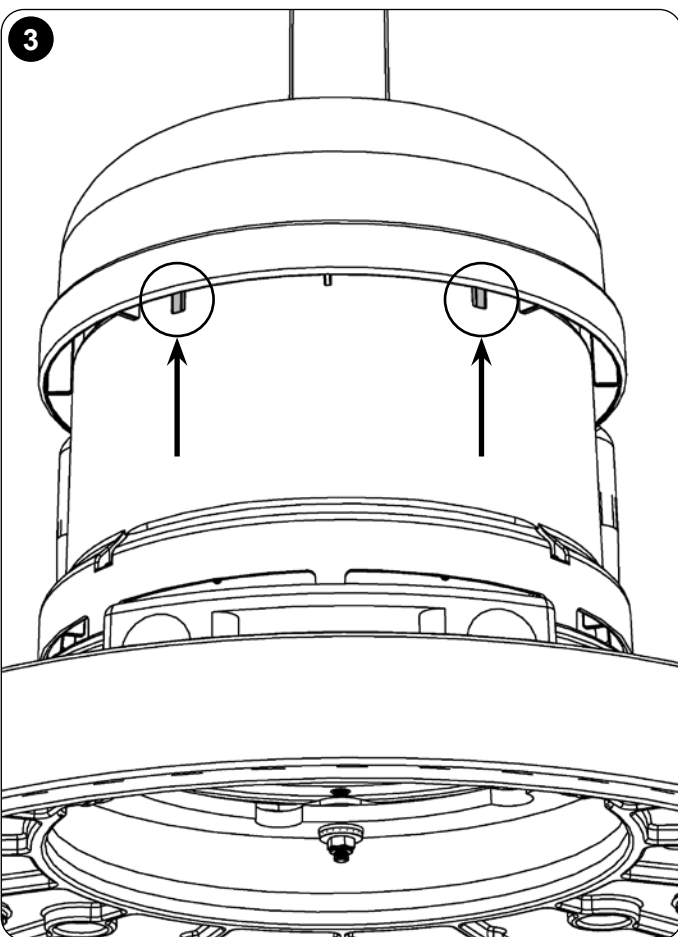
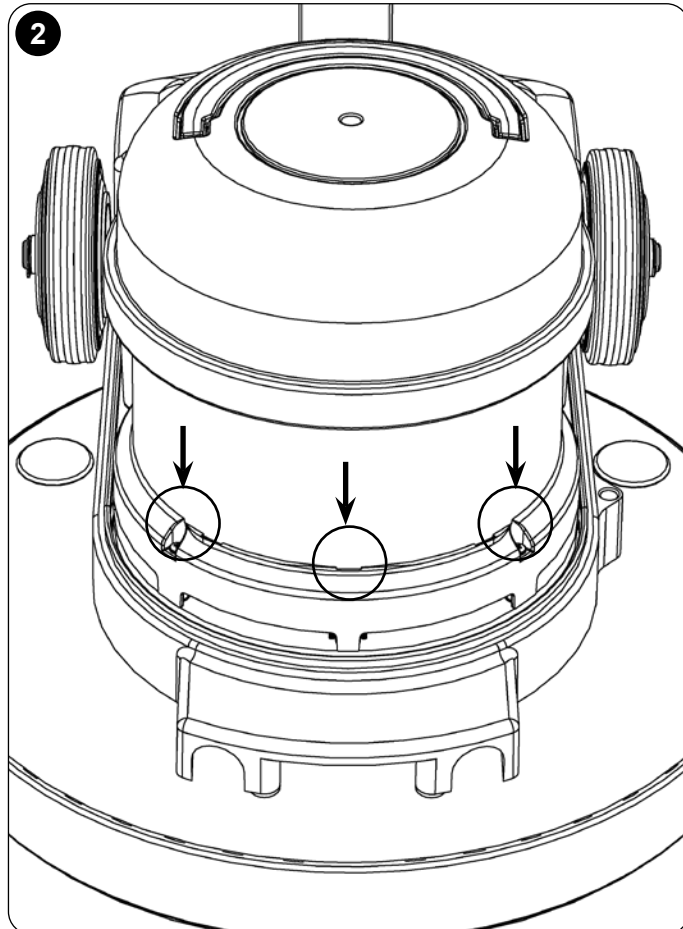
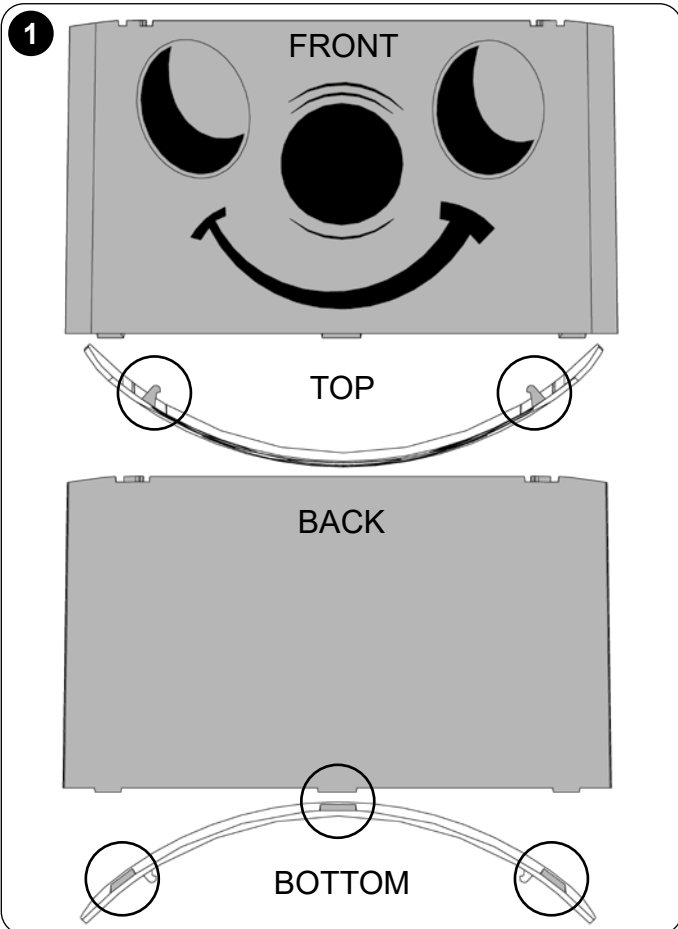
HFT 1530 Twin Speed



High Speed = 300 rpm

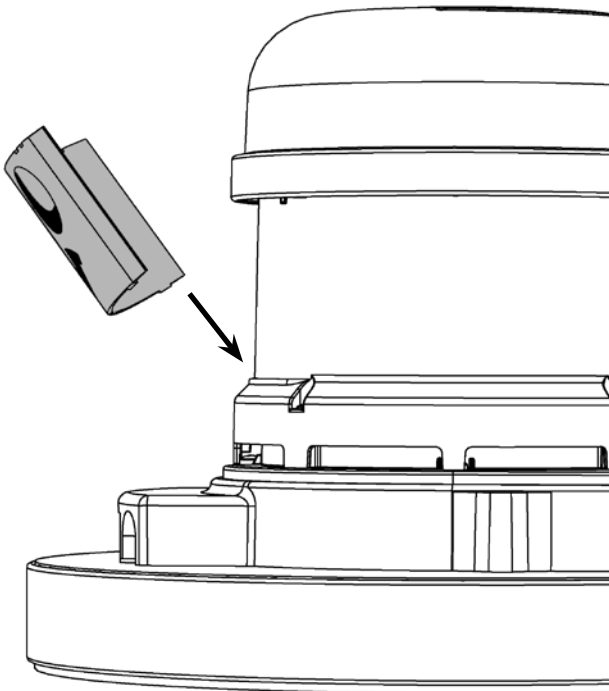


Low Speed = 150 rpm

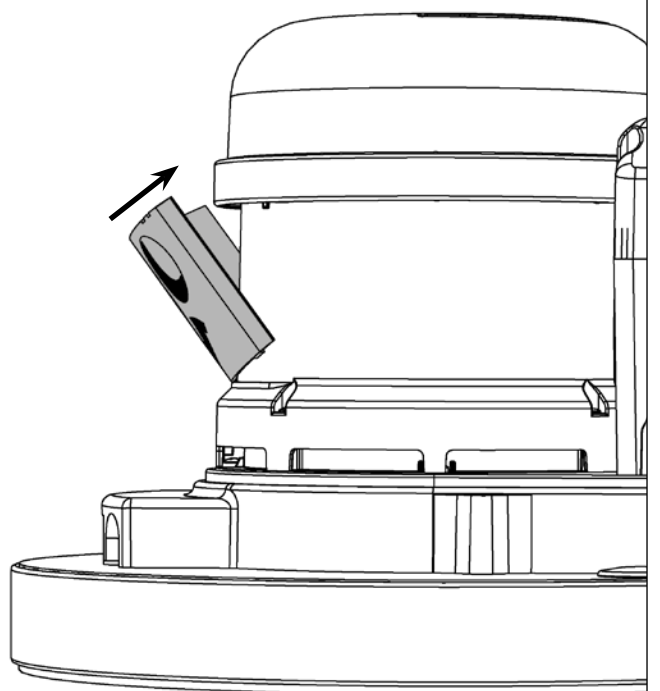


Face Fitting Continued

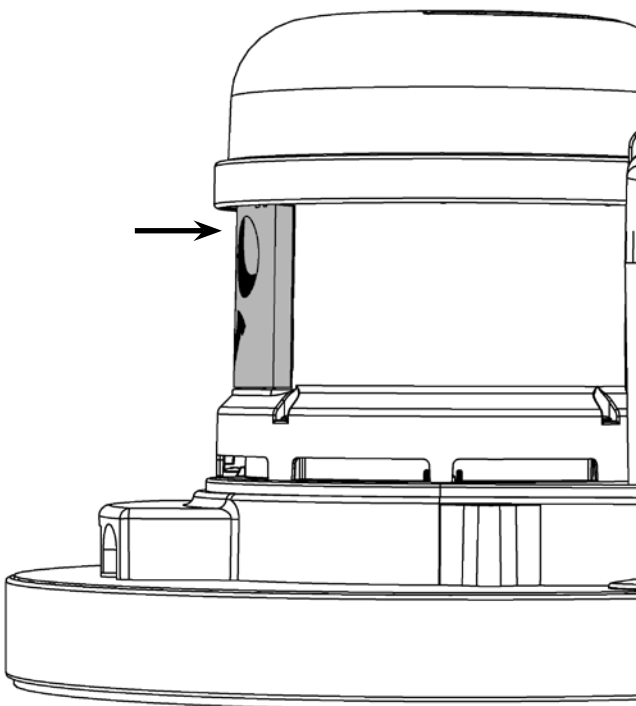
5



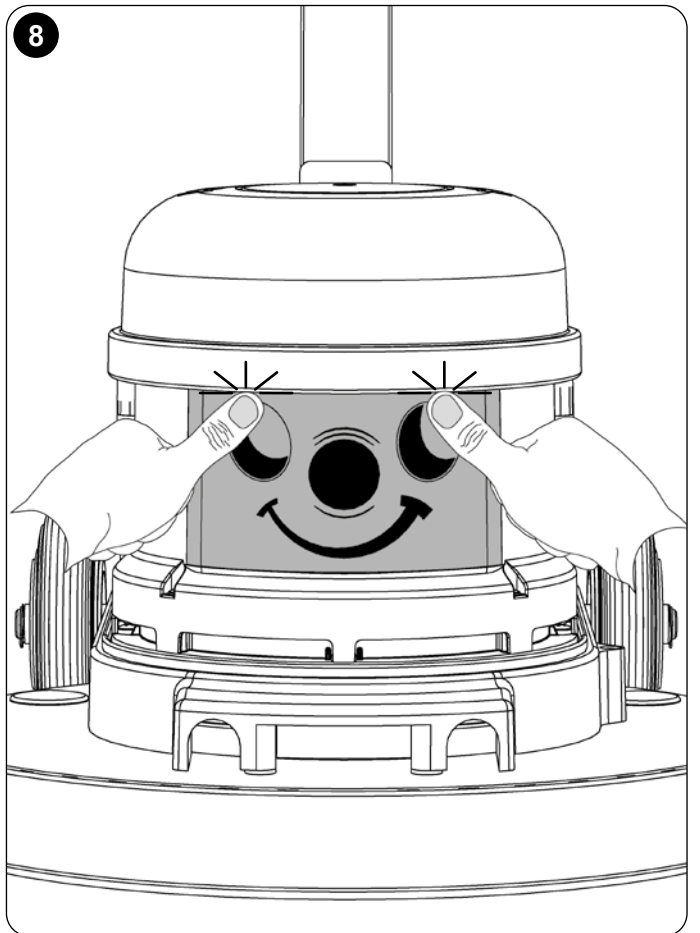
6



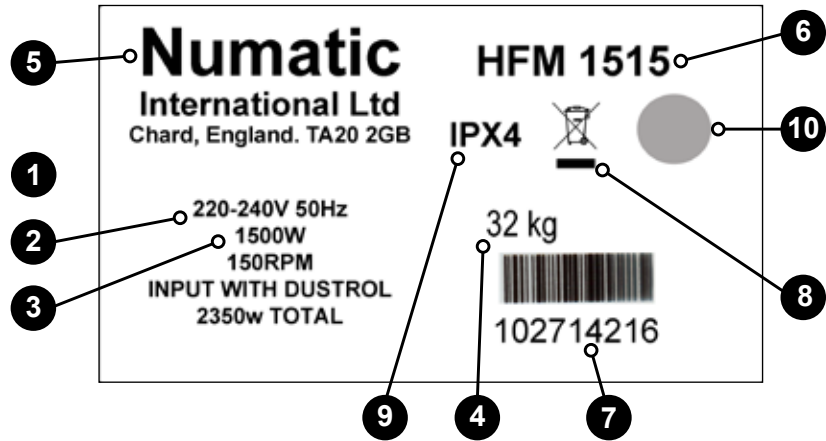
7



8



Rating Label	
1	Voltage
2	Frequency
3	Rated Input Power
4	Weight (ready to work)
5	Company Name & Address
6	Model
7	Machine yr/wk Serial number
8	WEEE Logo
9	Protection Class 2 Symbol
10	Approvals Mark



WEEE (Waste, Electrical and Electronic Equipment)

Floor machine, accessories and packaging should be sorted for environmentally - friendly recycling.
 (Only for EU Countries) Do not dispose of vacuum cleaner into household waste! According to the European Directive 2012/19/EU on waste electrical and electronic equipment and its incorporation into national law. Floor machines that are no longer suitable for use must be separately collected and sent for recovery in an environmentally - friendly manner.



PPE (Personal protective equipment) that may be required for certain operations.

Ear Protection	Safety Footwear	Head Protection	Safety Gloves	
Dust / Allergens Protection	Eye Protection	Protective Clothing	Hi-Vis Jacket	

Note: A risk assessment should be conducted to determine which PPE should be worn.

Safety Critical Component:

Mains Leads: HO5-VV-F 15 x 3 Core x 1.5 mm²

CAUTION



No HOT drinks when operating this machine.



**ORIGINAL INSTRUCTIONS
READ MANUAL BEFORE USE**

Information for Scrubber Dryer



WARNING

Operators shall be adequately instructed on the use of this machine.
This machine shall be disconnected from its power source (Remove plug from socket outlet.)
During cleaning or maintenance or in the event of an accident and when replacing parts or converting the machine to another function.
This machine is not suitable for picking up hazardous dust.

Do not allow supply cord to come into contact with the rotating brushes or pads

As with all electrical equipment care and attention must be exercised at all times during its use, in addition to ensuring that routine and preventive maintenance is carried out

Periodically in order to ensure its safe operation. Failure to carry out maintenance as necessary, including the replacement of parts to the correct standard could render the equipment unsafe and the manufacturer can accept no responsibility or liability in this respect.

When ordering spare parts always quote the model number / serial number specified on the rating plate.

This machine is for indoor use only.

The machine is not to be used or stored outdoors or in wet conditions.

Don't allow the machine to be used by inexperienced or unauthorised operators or without appropriate training.

Only use brushes provided with the appliance or those specified in the instruction manual.

The use of other brushes may impair safety.

A full range of brushes and accessories are available for this product.

Only use brushes or pads which are suitable for the correct operation of the machine for the specific task being performed.

It is essential that this equipment is correctly assembled and operated in accordance with current safety regulations. When using the equipment always ensure that all necessary precautions are taken to guarantee the safety of the operator and any other persons who may be affected.

This machine is not suitable for picking-up hazardous dust.

Do not use on surfaces having a gradient exceeding that marked on the appliance.

This appliance is not intended for use by persons (including children) with reduced physical, sensory or mental capabilities, or lack of experience and knowledge, unless they have been given supervision or instruction concerning use of the appliance by a person responsible for their safety.

Children should be supervised to ensure that they do not play with the appliance.



CAUTION

The machine is not to be stored outdoors in wet conditions.
This machine is for indoor use only.
Read the instruction manual before using the appliance.
This product meets the requirements of BS EN / IEC 60335-2-67.

NOTE: This machine is also suitable for commercial use, for example in hotels, schools, hospitals, factories, shops and offices.



DO

- Ensure only competent persons unpack/assemble the machine.
- Keep your machine clean.
- Keep your brushes in good condition.
- Replace any worn or damaged parts immediately.
- Regularly examine the power cord for damage, such as cracking or ageing. If damage is found, replace the cord before further use.
- Only replace the power cord with the correct Numatic approved replacement parts.
- Ensure that the work area is clear of obstructions and / or people.
- Ensure that the working area is well illuminated.
- Pre-sweep the area to be cleaned.



DON'T

- Use steam cleaners or pressure washers to clean the machine or use in the rain.
- Attempt machine maintenance or cleaning unless the power plug has been removed from the supply outlet, if the machine is in charge mode or remove the key if in normal use.
- Allow any inexperienced repairs. Contact your nearest service centre.
- Strain charger lead or try to unplug by pulling on charger lead.
- Leave your machine standing on brush, pads or drive boards when not in use.
- Expect the machine to provide trouble-free, reliable operation unless maintained correctly.
- Run the machine over any power cables during operation.

Machine Maintenance

Daily

Keep the machine clean.

Ensure brushes / pads are in good condition.

Check for any worn or damaged parts and replace immediately.

Do not leave your machine standing on the brush, pads or drive boards when not in use.

Weekly - as daily and:

Regularly examine the power cord.

	HFS 1015	HFS 1023	HFM 1015	HFM 1023	HFM 1515	FMH 1515	HFM 1523	HFM 1530	HFM 1545	HFT 1530
Motor	1000W	1000W	1000W	1000W	1500W	1500W	1500W	1500W	1500W	1000/ 1250W
Speed	150rpm	230rpm	150rpm	230rpm	150rpm	150rpm	230rpm	300rpm	450rpm	150/ 300rpm
Optional Vacuum	DT 130	DT 130	DT 130	DT 130	DT 130	DT 130	DT 130	DT 130	DT 130	DT 130
Brush	400mm	400mm	450mm	450mm	450mm	450mm	450mm	450mm	450mm	450mm
Pad	360mm	360mm	400mm	400mm	400mm	400mm	400mm	400mm	400mm	400mm
Range	32m	32m	32m	32m	32m	32m	32m	32m	32m	32m
Weight	26 kg	26 kg	26 kg	26 kg	32 kg	32 kg	32 kg	32 kg	32 kg	32 kg
Sound Pressure dB(A)@1.7M	64.6 dB(A)	69.6 dB(A)	64.7 dB(A)	69.8 dB(A)	66.6 dB(A)	66.6 dB(A)	69.0 dB(A)	62.8 dB(A)	70.4 dB(A)	70.2 dB(A)
HAV M/S ²	1.78	2.35	1.76	2.33	1.54	1.54	2.11	1.78	1.63	1.04
Dimensions	410mm 560mm 1250mm	410mm 560mm 1250mm	460mm 560mm 1250mm	460mm 560mm 1250mm	460mm 560mm 1250mm	460mm 560mm 1250mm	460mm 560mm 1250mm	460mm 560mm 1250mm	460mm 560mm 1250mm	460mm 560mm 1250mm

HAV = Hand Arm Vibration (uncertainty 20%)

Accessories

FMA 606890	HFM Solution Tank (8ltrs)
FMA 606077	HFM 10Kg weight
FMA-606401	400mm PadLoc Drive Board
FMA 606615	HFM optional spraytec Kit (1.5ltrs)
FMA 606202	450m Union Mix Polish Brush
FMA 606700	400m Porcupine Pad Holder
FMA 606178	HFM Dustrol Kit (DT 130) (850W)
FMA 606203	450 Polyscrub Brush
FMA 60115	550mm Union mix Polish brush
FMA 606250	HFM Dust Filter Kit
FMA 606204	450mm Nyloscrub Brush

Application Chart

	HFS 1015	HFS 1023	HFM 1015	HFM 1023	HFM 1515	FMH 1515	HFM 1523	HFM 1530	HFM 1545	HFT 1530
	1000W	1000W	1000W	1000W	1500W	1500W	1500W	1500W	1500W	1000/ 1250W
	150rpm	230rpm	150rpm	230rpm	150rpm	150rpm	230rpm	300rpm	450rpm	150/ 300rpm
Scarifying 4,5,6					✓	✓				
Stripping 7	✓	✓	✓	✓	✓	✓	✓			
Shampoo 3	✓	✓	✓	✓	✓	✓	✓			
Spray Cleaning	✓		✓		✓	✓			✓	✓
Wet Scrubbing 2,8,9	✓	✓	✓	✓	✓	✓	✓	✓		✓
Dry buffing 1,9		✓		✓			✓	✓	✓	✓
Light SprayBuff 9								✓	✓	✓
Low Gloss Polish 1	✓	✓	✓	✓	✓	✓	✓	✓		✓
Medium Gloss Polish 1,9								✓	✓	✓
High Speed Polish 9									✓	

Numatic Brush Description

1. Union Mix Polishing Brush FMA-606102, FMA-606202, FMA-606702 (Bristles Brown).
2. Polypropylene Scrubbing Brush FMA-606105, FMA-606203, FMA-606703 (Outer Bristles Green).
3. Nylon Wet Shampoo Brush FMA-606108, FMA-606204, FMA-606704 (All Bristles White).
4. Scarifying Wire Brush FMA-606114, FMA 606706 Floor Preparation.
5. Three head silicon Carbide Gring Discs FMA-606208 Floor Preparation.
6. Spirotex FMA-606211 Six Head Heavy duty Scarifying Brush Floor Preparation.
Floortec Padless Brush System (Colour Coded Centre Bristles).
7. Black Centre Coded, Heavy duty Scrubbing and Stripping FMA-606301/ FT400-1,
FMA-606305/ FT450-1, FMA 606315/ FT500-1.
8. Green Centre Coded, All purpose General Scrubbing Brush FMA-606302/ FT400-2,
FMA-606306/ FT450-2, FMA-606316/ FT500-2.
9. Red Centre Coded Light Scrubbing when wet, General polishing when dry,
FMA-606303/ FT400-3, FMA-606307/ FT450-3, FMA-606317/ FT500-3.

Note

10KG & 20Kg Weight, use only on standard speed machines for wet / dry scrubbing, vitrification and crystallisation.

Warning Kit DT130

FMA-606178 vacuum kits are for dry pick up only DO NOT use on wet surfaces,
(Not Available for Australia & Swizerland on 1500W models).

Important

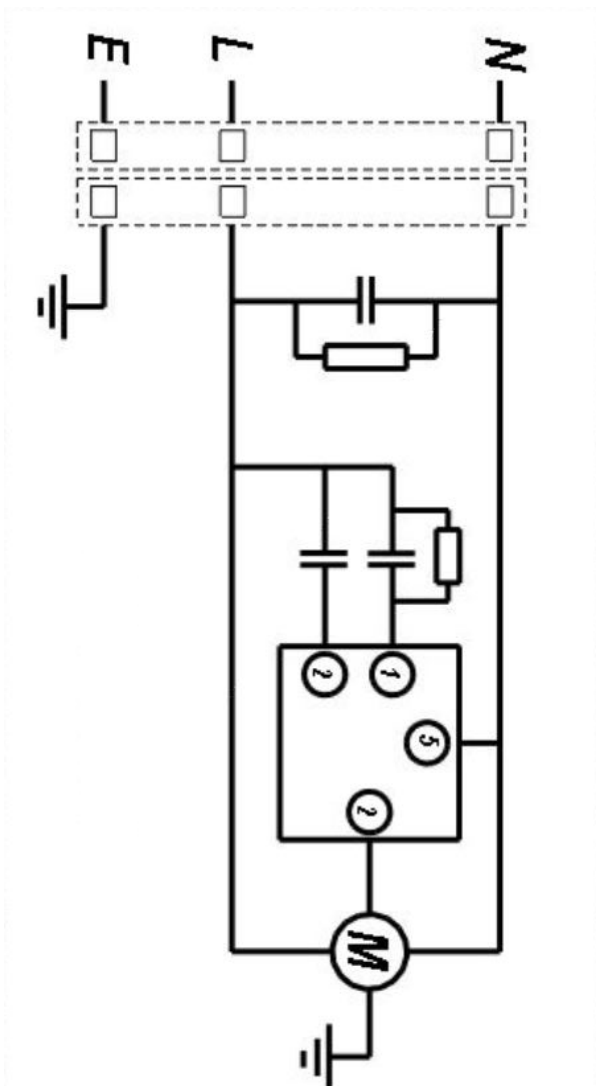
Only use the socket outlet on the appliance for Numatic recommended parts.

Replacement parts

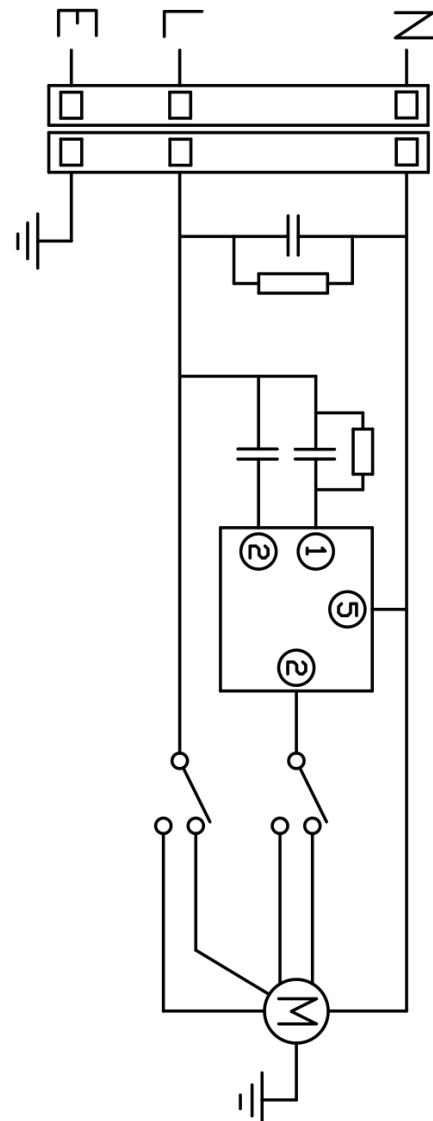
MACHINE/MOD-ELS NO.s	HFS 1015	HFS 1023	HFM 1015	HFM 1023	HFM 1515	FMH 1515	HFM 1523	HFM 1530	HFM 1545	HFT 1530
Motor	205201	205201	205201	205201	205202	205202	205202	205202	205204	205205
Gearbox	230206	230210	230206	230210	230206	230206	230210	230209	230210	230206
Start Cap	205088	205088	205088	205088	205088	205088	205088	205088	205088	205088
Run Cap	208651	208651	208651	208651	220897	220897	220897	220897	220897	220897
Voltage Relay	208582	208582	208582	208582	902715	902715	902715	902715	902715	206824
Handle Relay	206575	206575	206575	206575	206575	206575	206575	206575	206575	206575

Schematic Diagram

HFS / HFM / FMH 1000W / 1500W - DRW-11701 (A09)



HFT 1530 - DRW-12031 (A05)



Numatic International Warranty

Numatic International Limited warrant to the original purchaser that its products are free of defects in both material or workmanship for the period shown below:-

Homecare and Cleancare Vacuum cleaners.....	2 Years
Rotary Floor Machines.....	2 Years
Twintec Auto Scrubber Dryer.....	1 Year
Vario Ride-On Scrubber Dryer.....	1 Year / 1500 hours
Mopping, Compacts, Combi and Servocare Products.....	1 Year
Individual Accessories and Spare Parts.....	6 Months

Note: This warranty expressly excludes consumable parts such as carbon brushes, floor brushes, mops, batteries etc, that are considered replaceable from time to time during the normal working life of the machine.

- A. The warranty period commences from the date the goods are purchased.
- B. All warranty claims must be processed through the Dealer from whom the equipment was purchased. The Dealer will co-operate with the purchaser throughout the warranty claims procedure and will arrange any necessary repairs using genuine Numatic parts.
- C. If the original Dealer is no longer able to fulfil his obligations please contact Numatic International Limited with full details of the claim and proof of purchase so that this may be processed without delay.
- D. Any warranty claim can only relate to the specific part that is proven to be at fault and for which a replacement will be supplied but cannot be extended to constitute a claim against the complete machine.
- E. Numatic International will supply the Dealer with any warranty parts required, subject to the claim being validated, after return of the faulty items in accordance with Numatic International Limited's General Conditions of Sale.
- F. Claims will not be accepted if they are the result of fair wear and tear, misuse or abuse of any kind.
- G. No replacement will be given unless the appropriate evidence of the validity of the claim has been provided to the satisfaction of Numatic International Limited.
- H. Numatic International Limited reserve the right to charge for any unnecessary work carried out as a result of an invalid claim.
- I. No variation to this warranty may be made or implied by any member of Numatic International Limited or its Dealers unless such variation is in writing and authorised by the Company



Numatic International Limited. Chard, Somerset, TA20 2GB

Telephone: 01460 68600 Fax: 01460 68458

© Numatic International Limited

UKCA Declaration of Conformity	
Manufacturer:	Numatic International Limited Chard Somerset TA20 2GB www.numatic.co.uk
Product:	HFM, HFS, HFT, FMH
Description:	Single Disc – Floor Treatment - Commercial
We, Numatic hereby declare under our sole responsibility, that the above-mentioned product(s) is/are in conformity with the following directives and standards.	

S.I. 2008: 1597	Supply of Machinery Regulations	EN60335-1:2012 + AC:2014 + A11:2014 + A13:2017 EN60335-2-67:2012 EN62233:2008
S.I. 2016: 1091	EMC Regulations	EN55014-1:2017 + A11:2020 EN55014-2:1997 + A1:2001 + A2:2008 EN61000-3-2:2014 EN61000-3-3:2013
S.I. 2012: 3032	RoHS Regulations	

Authorised Signatory: Mr. Matthew Coles
Position: Head of Technology

Numatic International Limited,
Chard,
Somerset, TA20 2GB, UK

Signed: *M Coles* Date: 1st Dec 2021

DEC-066 V2.0

EU, EC, EL, UE, ES: Declaration of Conformity Prohlášení o shodě Konformitätsserklärung Declaración de conformidad Vastavusdeklaratsioon Déclaration de conformité	Декларация за съответствие Дізнаєння про відповідність Megfelelőségi nyilatkozat Dichiarazione di conformità Atiitkites deklarácia Conformiteitsverklaring Samsvarserklaring Declaração de conformidade	Декларация за съответствие Дізнаєння про відповідність Megfelelőségi nyilatkozat Dichiarazione di conformità Atiitkites deklarácia Conformiteitsverklaring Samsvarserklaring Declaração de conformidade
Manufacturer: / Выrobce / Hersteller / Fabricant / Fabricante / Tooyja / Чард / Производитель / Κατασκευαστής / Gyártó / Fabricante / Gaminiojas / Fabrikant / Produzent / Fabricante / Product / Productor / Производитель / Tillverkare / Proizvajalca / Valmistaja:	Numatic International Limited Chard Somerset TA20 2GB www.numatic.co.uk HFM, HFS, HFT, FMH	Numatic International Limited Chard Somerset TA20 2GB www.numatic.co.uk HFM, HFS, HFT, FMH
Product: / Продукт / Produkt / Product / Producto, Toodeid, Produkt / Продакт / Προϊόν / Термék / Prodotto / Produkta / Artikel / Produkt / Product / Produkt / Produs / Товар / Produkt / Izdelka / Tuote:	Single Disc – Floor Treatment – Commercial	Single Disc – Floor Treatment – Commercial
Description: / Opis / Beschreibung / Beskrivelse / Descripción / Kirjeldus / La description / Описание / Περιγραφή / Leirás / Descriziune / Apibudinimas / Omschrijving / Beskrivelse / Descripción / Opis / Descrriere / Описание / Beskrivning / Opis / Kuvaus:		
GB We, Numatic hereby declare under our sole responsibility, that the above-mentioned product(s) is/are in conformity with the following directives and standards.	GB Ние, Numatic С настоящото декларираме на своя лична отговорност, че посочените по-горе продукти се в съответствие със следните директиви и стандарти.	PT Nós, a Numatic declaramos, sob nossa exclusiva responsabilidade, que o produto acima mencionado está em conformidade com as diretivas e normas a seguir.
CZ My, Numatic prohlašujeme na svou výlučnou odpovědnost, že výše uvedeny výrobek je ve shodě s následujícími směrnici a normami.	GR Εγείς, Numatic δηλώνουμε με αποκλειστική μας ευθύνη, ότι το προαναφερμένο προϊόν συμμορφώνεται με τις ακόλουθες οδηγίες και πρότυπα.	PL My, Numatic Niniejszym oświadczamy z wyjątkową odpowiedzialnością, że wyżej wymieniony produkt jest zgodny z następującymi dyrektywami i normami.
DE Wir, Numatic erklären in alleiniger Verantwortung, dass das oben genannte Produkt den folgenden Richtlinien und Normen entspricht.	HU Mi, Numatic kijelentjük, egyedüli felelősséggel, hogy a fent említett termék megfelel az alábbi irányelveknek és szabványoknak	RO Noi, Numatic Prin prezenta declarații menționat este în conformitate cu următoarele standarde și directive.
DK Vi, Numatic erklærer hermed under eget ansvar at ovennævnte produkt(er) er i overensstemmelse med følgende direktiver og standarder.	IT Noi, Numatic dichiara sotto la propria responsabilità, che il prodotto di cui sopra è conforme alle seguenti direttive e norme.	RU Мы, Нуматик оми заявляем под личном одговорношћу, да наведениот производ је у складу са следећим директивама и стандардима.
ES Nosotras, Numatic declaramos bajo nuestra única responsabilidad que el producto antes mencionado está en conformidad con las siguientes directivas y normas	LT Mes, "Numatic pareiškiu vienašališkos atsakomybės, kad pirmiau minėtasis produktas atitinka šias direktyvas ir standartus	SE Vi Numatic förklarar härmed under eget ansvar att ovan nämnda produkt överensstämmer med följande direktiv och normer.
EE Meie, Numatic käesolevaga kinnitame ja kanname ainuisikuliselt vastutust, et eespool nimetatud toode on kooskõlas järgmistega direktiivide ja	NL We verklaren Numatic hierbij op eigen verantwoordelijkheid, dat het bovengenoemde product voldoet aan de volgende richtlijnen en normen	SI Mi, Numatic izjavljam o polno odgovornosti, da je zgoraj omenjeni izdelek v skladu z naslednjimi smernicami in standardi.
FR Numatic déclare sous notre seule responsabilité que le produit mentionné ci-dessus est conforme aux directives et normes suivantes.	NO Vi, Numatic erklærer herved under eget ansvar, at det ovennevnte produktet er i samsvar med følgende direktiver og standarder	FI Me, Numatic täten vakuumamme omalla vastuulla, että edellä mainittu tuote on yhdenmukainen seuraavien direktiivien ja standardien mukaisesti

2006/42/EC	Machinery Directive	EN60335-1:2012 + AC:2014 + A11:2014 + A13:2017 EN60335-2-67:2012 EN62233:2008
2014/30/EU	EMC Directive	EN55014-1:2006 + A1:2009 + A2:2011 EN55014-2:1997 + A1:2001 + A2:2008 EN61000-3-2:2014 EN61000-3-3:2013
2011/65/EU	RoHS Directive	

Authorised Signatory: Mr. Matthew Coles

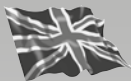
Position: Head of Technology
Numatic International Limited
Chard,
Somerset, TA20 2GB, UK

Signed: *M Coles* Date: 1st Dec 2021

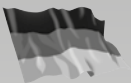
DEC-066 V3.0

Signed

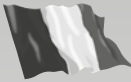
Distributed by:



Numatic International Limited.
Chard, Somerset TA20 2GB ENGLAND
Tel: 01460 68600 www.numatic.co.uk



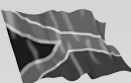
Numatic International GmbH. Fränkische Straße 15–19
D-30455 Hannover, DEUTSCHLAND
Tel: 05 11 98 42 16 0 www.numatic.de



Numatic International SAS. EAE La Tuilerie – 13 / 17 rue du Valengelier
77500 CHELLES, FRANCE
Tel: 01 64 72 61 61 www.numatic.fr



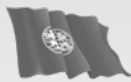
BeNeLux Distribution, Numatic International BV
Postbus 101, 2400 AC Alphen aan den Rijn, NEDERLAND
Tel: 0172 467 999 www.numatic.nl



Numatic International (Pty.) Ltd.
16th & Pharmaceutical Roads, Midrand, Gauteng,
SOUTH AFRICA 1685
Tel: 0861 686 284 www.numatic.co.za



Numatic International Schweiz AG.
Sihlbruggstrasse 3A, 6340 Baar. SCHWEIZ
Tel: 0041 (0) 41 76 80 76 - 0 www.numatic.ch



Numatic International ULDA. Rua da Boa Viagem, 177
4470.210 Maia. PORTUGAL
Tel: +351 220 047 700 www.numatic.pt



Numatic International SLU. C/ La Forja, 41, 08840 Viladecans
(Barcelona), Spain
Tel: +34 93 647 22 22 www.numatic.es

This Product has been comprehensively inspected and checked during every stage of its manufacture.
Including an in-depth electrical safety and functionality test.

Specification subject to change without prior notice
www.numatic.co.uk © Numatic International Limited