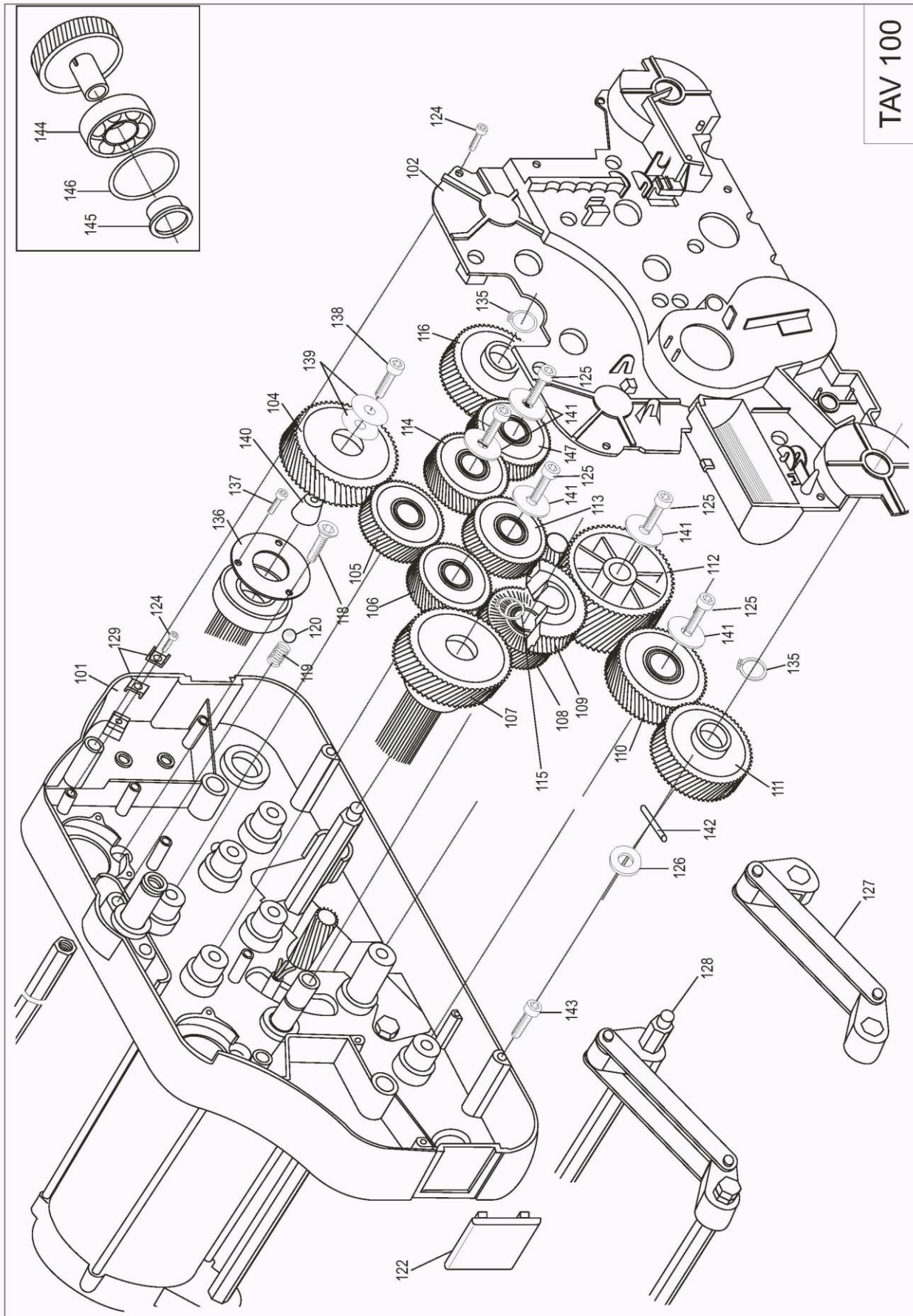


Table 100 072016 420 Standard

Model 420



TAV 100

Table 100 072016

Model 420

Pos.	Article Code	Description	
101	18.10.15.000	MAIN SIDE ELEMENT W/ BUSH 340-420-620-350-550	
102	13.05.20.000	INSIDE SUMP BLACK COMPLETE	
104	06.09.02.000	GEAR RIGHT HS METAL MOTOR CYL	
105	05.44.02.000	GEAR W/B.BEARING	
106	06.44.02.000	GEAR W/B BEARING	
107	05.09.02.000	GEAR LEFT H.S.METAL MOTOR CYL.	
108	05.46.02.000	GEAR WITH LOW CLUTCH NEW	
109	06.80.02.000	GEAR HIGH CLUTCH W/BEARING	
110	06.50.02.000	GEAR W/B BEARING	
111	05.42.02.000	GEAR LEFT H.BRUSH(NEW SERIES)	
112	05.80.02.000	GEAR 340-420-620 W/NO 2 B.BEAR	
113	05.70.03.000	GEAR W/B.BEARING	
114	06.40.02.000	GEAR W/B.BEARING	
115	11.32.00.000	CIRCLIP D.14	
116	06.42.02.000	GEAR RIGHT HS.BRUSH-NEW SERIES	
118	11.12.01.000	SOCKET HEAD SCREW TPSCE 8X16 (BITT)	
119	10.02.00.000	SPRING LATCH SPRING	
120	03.12.00.000	SPRING LATCH BALL	
122	13.11.00.000	BUMPER FOR MAIN FRAME	
124	11.04.00.000	SCREW T.T. 5X10	
125	11.06.00.000	SCREW T.T. 5X12	
126	11.27.00.000	FLAT WASHER	
127	18.08.01.000	WHEEL LEVER	
128	01.20.02.000	SHAFT W/ WHEEL LEVER 420 - 350	
128	18.08.01.000	WHEEL LEVER	
129	11.39.01.000	TERMINAL CONTACT	
135	11.34.00.000	CIRCLIP D.20	
136	02.06.00.000	WASHER PUSHING BEARING	
137	11.01.00.000	SCREW TC 3X8	
138	11.10.00.000	SOCKET HEAD SCREW TCCE 4X40	

Table 100 072016**Model 420**

Pos.	Article Code	Description	
139	11.44.00.000	WASHER FOR GEAR	
140	11.45.00.000	TAPERED SCREW NUT/BRASS	
141	11.51.00.000	WASHER LOCKING GEARS	
142	11.37.00.000	CYLINDRICAL PLUG 6X30	
143	11.09.01.000	SOCKET HEAD SCREW TCCE 6X16	
144	03.19.50.000	BEARING 60052RS MAIN S/ELEMEN.	
145	04.35.00.000	PLASTIC BUSH FOR S.STEEL BEAR.	
146	04.36.00.000	RUBBER SEAL	
147	05.70.02.000	GEAR W/B BEARING	

Table 200 072016

Model 420

TAV 200

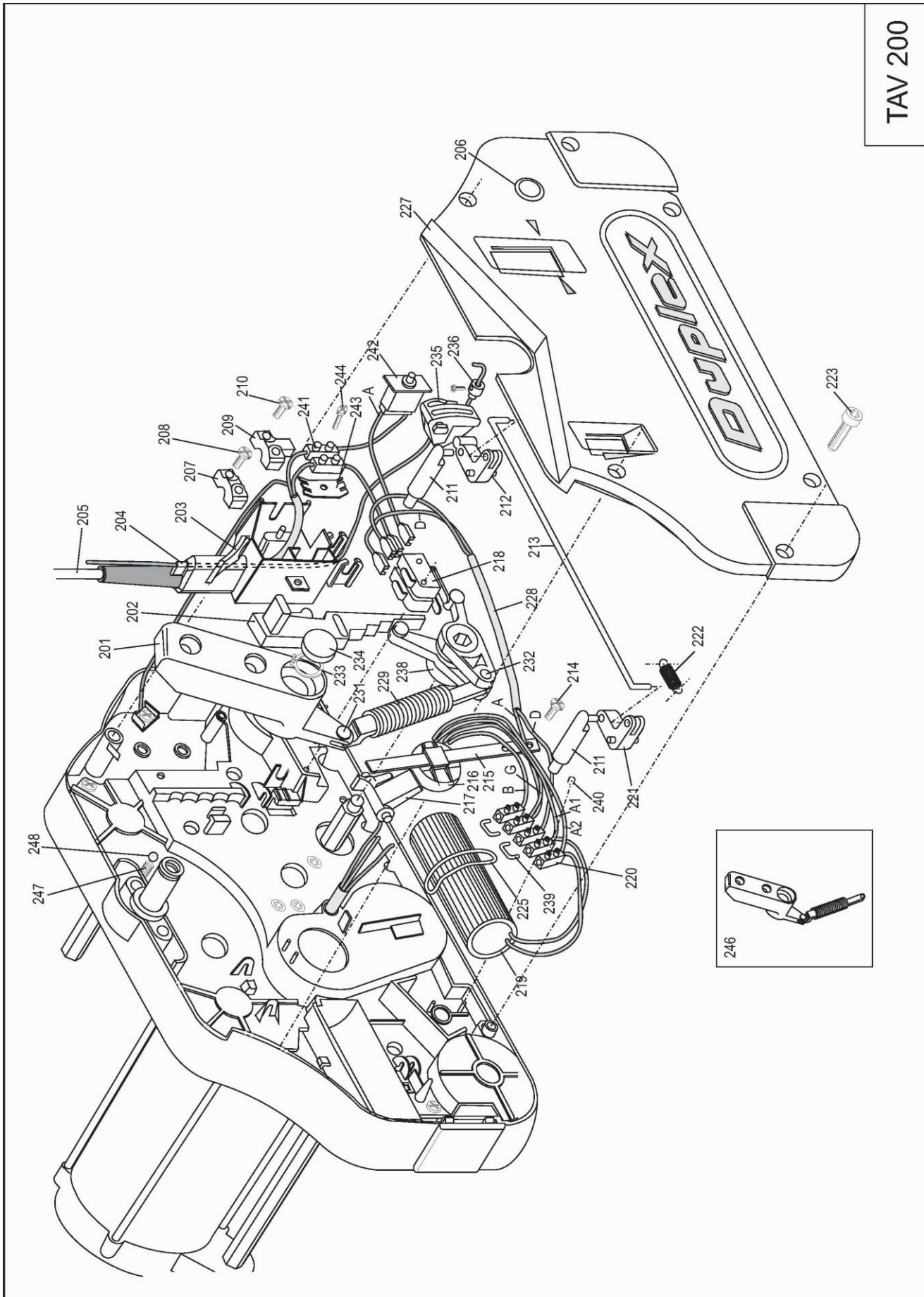


Table 200 072016
Model 420

Pos.	Article Code	Description	
201	18.03.10.000	ARTICULATED HANDLE SUPPORT BL.	
202	14.08.00.000	ADJUSTMENT SLIDER	
203	14.19.00.000	FAIRLEAD SUPPORT	
204	04.09.00.000	FAIRLEAD	
205	08.05.04.000	CABLE AND PLUG (UK 3 PIN)	
206	08.09.00.000	RUBBER SEAL	
207	14.20.00.000	FAIRLEAD STAY	
208	11.02.00.000	TC SCREW 4,2X13 ZINC	
209	14.21.00.000	CABLE STAY	
210	11.03.00.000	TC SCREW 4,2X16 ZINC	
211	14.02.66.777	PLASTIC PISTON	
212	14.00.00.000	LONG LEVER	
213	21.06.01.000	BOLT FOR FLUID CONTROL LEVERS	
214	11.71.00.000	SCREW M4x10 CROSS ZN	
214	11.02.00.000	TC SCREW 4,2X13 ZINC	
215	20.04.01.000	CLUTCH LEAF SPRING	
216	14.04.00.000	CLUTCH FORC	
217	14.05.00.000	CLUTCH LEVER	
218	08.13.00.000	MICROSWITCH	
219	08.01.00.000	16 MF. CONDENSER 340-420-350 220V - 50HZ	
219	08.03.00.000	CONDENSER 340-420-620-350-550 60 MF 117V-60HZ / 100V-50HZ	
219	08.01.20.000	CONDENSER 340-420-350 20MF 230V - 60HZ	
219	08.04.00.000	CONDENSER.45MF 620-550 230V-60HZ 340-420-350 100V-60HZ	
219	08.01.10.000	CONDENSER 340-420-350 AU 18MF 220V - 50HZ	
220	08.19.00.000	5-PIN TERMINAL BLOCK	
221	14.01.00.000	SHORT LEVER	
222	10.04.00.000	TRACTION SPRING	
223	11.09.01.000	SOCKET HEAD SCREW TCCE 6X16	

Table 200 072016
Model 420

Pos.	Article Code	Description	
225	04.08.00.000	CONDENSER O'RING	
227	13.02.00.000	OUTSIDE SUMP BLACK	
229	10.03.00.000	SPRING FOR THRUST CYLINDER MOUNTED	
231	01.16.00.000	SHAFT FOR SLEEVE SUPPORT	
232	11.38.00.000	CYLINDER PLUG 8X20	
233	11.33.00.000	CIRCLIP D.18	
234	14.06.10.000	SLEEVE SUPPORT CAP BLACK	
235	14.22.00.000	ARTICULATED JOINT LEVER	
236	22.17.01.000	CABLE FIXING PIN FOR SHEALT	
238	14.03.00.000	WHEEL RAISING ACTIVATOR	
239	08.19.02.000	TERMINAL BLOCK BRIDGE	
240	08.19.01.000	TERMINAL BLOCK CAP	
241	08.20.00.000	DOUBLE-POLE TERMINAL BLOCK	
242	08.10.01.000	MOTOR PROTECTOR 15A 117V-60HZ	
242	08.11.01.000	MOTOR PROTECTOR 4,5 A V.220	
243	08.15.00.000	CABLE CLAMP	
244	11.11.00.000	SCREW FOR THERMINAL BL.	
246	18.03.20.000	HANDLE SUPPORT WITH SPRING BLK	
247	10.02.00.000	SPRING LATCH SPRING	
248	03.12.00.000	SPRING LATCH BALL	

Table 300 072016

Model 420

TAV 300

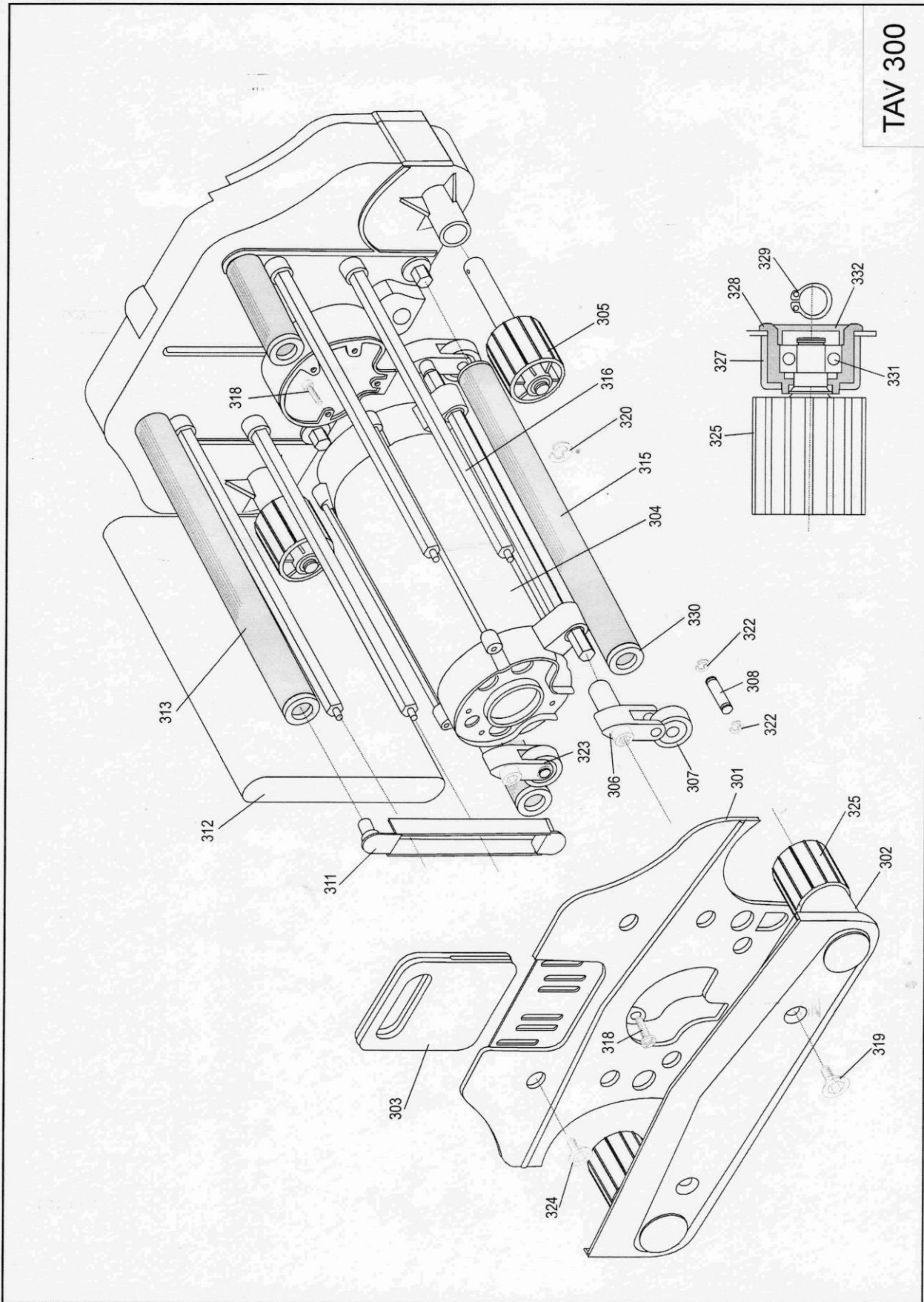


Table 300 072016
Model 420

Pos.	Article Code	Description	
301	18.02.10.000	REAR BODY FRAME BLACK	
302	20.02.02.000	STAINLESS CASING WITH BEARINGS	
303	17.08.10.000	HANDLE FOR LIFTING THE MACHINE	
304	09.03.03.000	MOTOR 220 V. 50HZ 420-350	
304	09.04.03.000	MOTOR 240 V. 50HZ 420-350	
304	09.05.03.000	MOTOR 117 V. 60HZ 350-420	
304	09.06.03.000	MOTOR 220V. 60HZ 420-350	
304	09.07.03.000	MOTOR 100 V. 50HZ 420-350	
304	09.07.10.000	MOTOR 100V. 60HZ 420-350	
305	15.07.01.000	BRUSH SUPPORT MAIN SIDE ELEMENT	
306	16.05.01.000	INOX WHEEL SUPPORT	
307	16.06.00.000	NYLON WHEEL PACK X 4	
308	01.28.00.000	WHEEL SHAFT BENZING RING	
311	18.09.02.000	CYLINDER SUPPORT (BRASS S5)	
312	04.20.00.000	CONVEYOR BELT 420 -350	
313	01.42.01.000	MOTOR CYLINDER 420-350	
315	01.40.01.000	IDLE CYLINDER 420-350	
316	01.22.01.000	SHAFT B. FRAME CONNECT.420-350	
318	11.09.01.000	SOCKET HEAD SCREW TCCE 6X16	
319	11.15.01.000	SOCKET HEAD SCREW 10X20 STAIN LESS CASING	
320	11.35.00.000	BENZING RING D.12	
322	11.07.00.000	INOX BENZING RING D.8 (WHEELS)	
323	16.06.01.000	ASSEMBLED NYLON WHEEL WITH SUPPORT	
324	11.12.01.000	SOCKET HEAD SCREW TPSCE 8X16 (BITT)	
325	15.08.02.000	BRUSHES SUPPORT INOX SIDE	
327	18.11.01.000	BRUSH SUPPORT COVER	
328	18.12.01.000	BRUSH SUPPORT BASE	
329	11.29.00.000	CIRCLIP D.12	
330	01.39.01.000	ASSEMBLED BUSH FOR CYLINDERS	
331	03.14.55.000	BEARING630012RS(BRUSH SUPPORT)	
332	15.10.00.000	BRUSH SUPPORT CAP	

Table 400 072016

Model 420

TAV 400

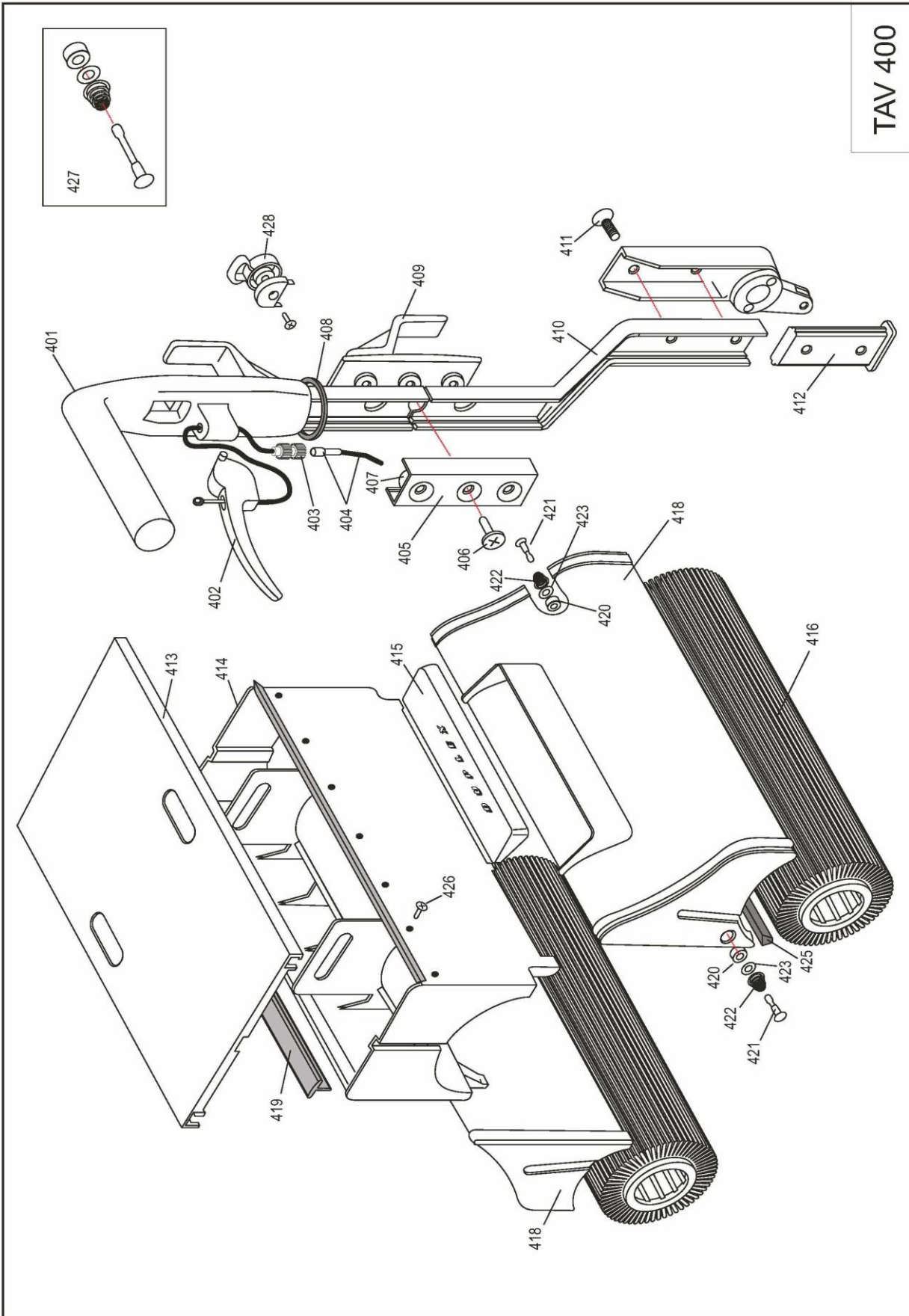


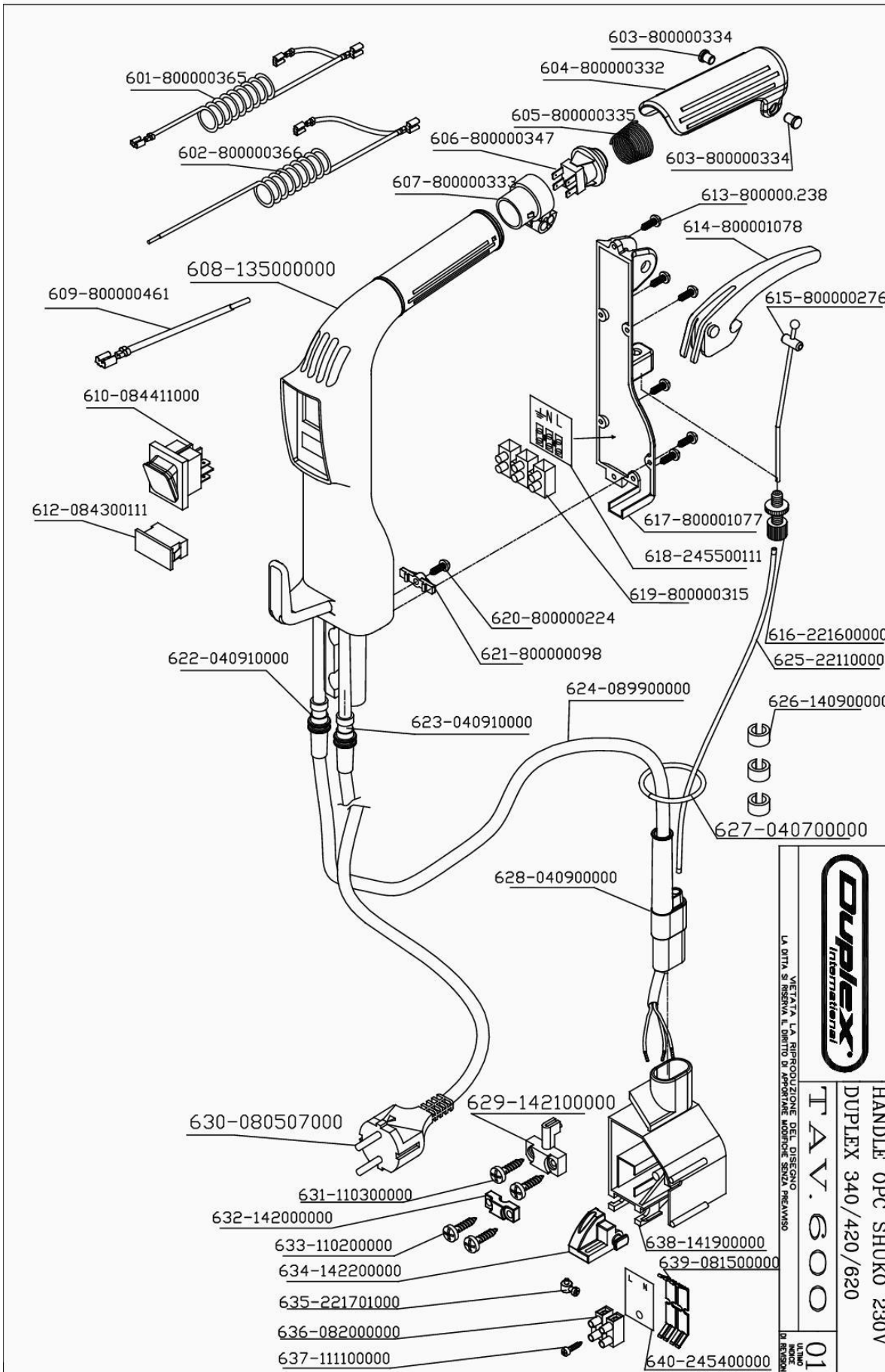
Table 400 072016

Model 420

Pos.	Article Code	Description	
401	13.06.10.000	HANDLE BLACK	
402	13.08.10.000	FLUID RELEASE TRIGGER	
403	22.16.00.000	REGULATOR WITH SHEATH NUT	
404	22.11.10.000	COMPLETE CABLE SHEALT AND CAPE	
405	20.09.20.000	SLEEVE CASING STAINLESS STEEL	
406	11.12.01.000	SOCKET HEAD SCREW TPSCE 8X16 (BITT)	
407	02.02.00.000	CASING BUSH	
408	04.07.00.000	OR.FAIRLEAD (RUBBER RING)	
409	13.09.10.000	CABLE WRAP ,JOINING BITT-HANDLE	
410	21.05.01.000	ELBOW D420-ESC 350-TEKNA	
411	11.13.01.000	SOCKET HEAD SCREW TPSCE 8X25 (ELBOW)	
412	14.14.01.000	RUBBER INSERT (ELBOW)	
413	17.03.00.000	RECOVERY FLUID TANK COVER D420	
414	12.23.01.000	RECOVERY TANK 420-350 GREY	
415	17.01.00.000	CLEAN FLUID TANK COVER 340-420-350	
416	19.01.03.000	BLACK BRUSH D420 BRISTLE 0,30m	
416	19.01.01.000	BRUSH TYNEX D.420	
416	19.01.02.000	YELLOW SOFT BRISTLE BRUSH D420	
416	19.01.04.000	GREY SOFT BRISTLE BRUSH D.420	
416	19.01.05.000	POLISHING BRUSH D.420	
416	190108000	HARD BRISTLE BRUSH D.0,50 D420	
418	12.55.01.000	FLUID TANK D.420 BLUE	
419	04.03.30.000	TRIMMER WITH SCREWS.420-350	
420	04.06.00.000	VALVE GASKET	
425	12.07.01.000	DRIP CHANNEL STEAM W/SCREW 420	
426	11.08.00.000	SCREW 2,9X6,5 TSP FOR TRIMMER	
427	01.14.10.000	VALVE ASSEMBLY W/ ACCESSORIES	
428	04.16.01.000	CABLE SUSPENSION	

Table 600 012017

Model 420




 VIETATA LA RIPRODUZIONE DEL DISEGNO
 LA DITTA SI RISERVA IL DIRITTO DI APPORTARE MODIFICHE SENZA PREAVVISO
 HANDLE OPC SHUKO 230V
 DUPLEX 340/420/620
 TAV. 600 01
NUMERO DI RIFERIMENTO

Table 600 012017
Model 420

Pos.	Article Code	Description	
601	80.00.00.365	WIRE FOR RED SWITCH SHORT	
602	80.00.00.366	WIRE FOR RED SWITCH LONG	
603	80.00.00.334	JOINT PIN OPC	
604	80.00.00.332	OPERATING SAFETY LEVER	
605	80.00.00.335	ACTUATING SPRING OPC HANDLE	
606	80.00.00.347	PUSHBUTTON 2 POLES 12A	
607	80.00.00.333	INSERT OPC	
608	13.50.00.000	BLACK HANDLE OPC 340-420-620	
609	80.00.00.461	MAIN SWITCH WIRE	
610	08.44.11.000	RED SWITCH	
612	08.43.00.111	CAP OPC HANDLE	
613	80.00.00.238	SCREW TB CROSS 2,9X16	
614	80.00.01.078	FLUID RELEASE TRIGGER 280	
615	80.00.00.276	TERMINAL WITH SCREW	
616	22.16.00.000	REGULATOR WITH SHEATH NUT	
617	80.00.01.077	BLACK COVER FOR HANDLE	
618	24.55.00.111	3P LABEL F/ OPC HANDLE	
619	80.00.00.315	3 POLE TERMINAL BLOCK	
620	80.00.00.224	SCREW TCB 3,9X16	
621	80.00.00.098	CABLE STOPPER FOR HANDLE	
622	04.09.10.000	FAIRLEAD BLACK 11078.1.2 PVC	
623	04.09.10.000	FAIRLEAD BLACK 11078.1.2 PVC	
624	08.99.00.000	WIRE FOR OPC HANDLE 3X1,5mm	
625	22.11.10.000	BOWDEN CABLE	
626	14.09.00.000	CABLE STOPPER 5444	
627	04.07.00.000	OR.FAIRLEAD (RUBBER RING)	
628	04.09.00.000	FAIRLEAD	
629	14.21.00.000	CABLE STAY	
630	08.05.04.000	CABLE AND PLUG	
631	11.03.00.000	TC SCREW 4,2X16 ZINC	
632	14.20.00.000	FAIRLEAD STAY	

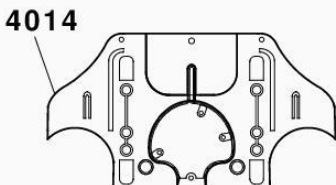
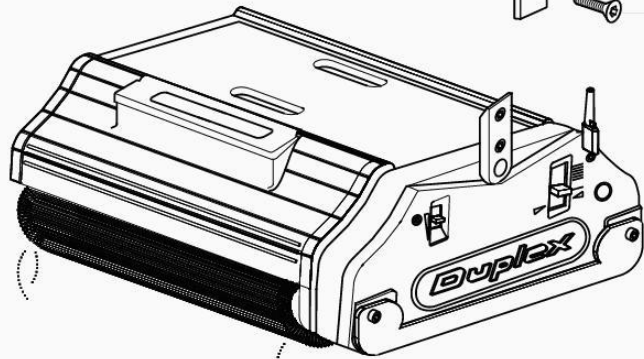
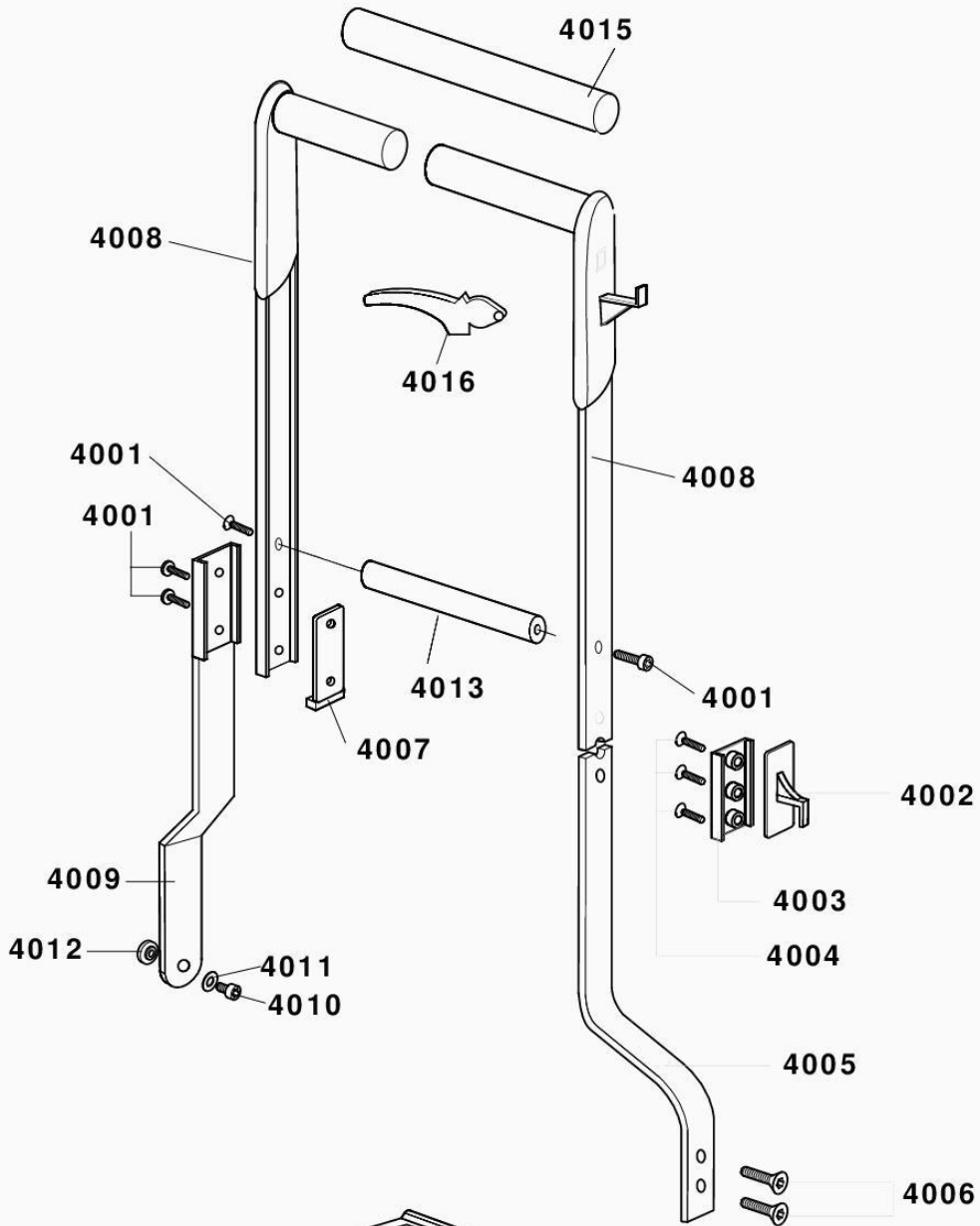
Table 600 012017**Model 420**

Pos.	Article Code	Description	
633	11.02.00.000	TC SCREW 4,2X13 ZINC	
634	14.22.00.000	ARTICULATED JOINT LEVER	
635	22.17.01.000	CABLE FIXING PIN FOR SHEATH	
636	08.20.00.000	DOUBLE-POLE TERMINAL BLOCK	
637	11.11.00.000	SCREW FOR THERMINAL BLOCK	
638	14.19.00.000	FAIRLEAD SUPPORT	
639	08.15.00.000	CABLE CLAMP	
640	24.54.00.000	LABEL LN	

Table 4000 022017

Model 420

DUPLEX TEKNA



TAV.4000

Table 4000 022017
Model 420

Pos.	Article Code	Description	
4001	11.61.00.000	SCREW ZN8x20	
4002	13.09.10.000	CABLE WRAP,JOINING BITT-HANDLE	
4003	20.09.02.000	SLEEVE CASING STAINLESS STEEL	
4004	11.12.01.000	SOCKET HEAD SCREW TPSCE 8X16 (BITT)	
4005	21.05.01.000	ELBOW D420-ESC 350-TEKNA	
4006	11.13.01.000	SOCKET HEAD SCREW TPSCE 8X25 (ELBOW)	
4007	14.14.01.000	RUBBER INSERT (ELBOW)	
4008	13.06.09.000	HANDLE BLACK W/INS. ESC/TEKNA	
4009	20.58.35.000	ELBOW INOX ESC. 350 (48CM)	
4010	11.58.00.000	SCREW ZN 6X10	
4011	11.74.00.000	WASHER	
4012	01.58.00.000	BOLT (HANDLE) COMBI/PROF 11MM	
4013	20.36.00.000	HANDLE SPACER 350	
4014	18.02.30.000	REAR BODY FRAME TEKNA/ESC	
4015	20.35.00.000	INOX HANDLE TUBE BASE 350	
4016	13.08.10.000	FLUID RELEASE TRIGGER	