

TRUVOX INTERNATIONAL

CIMEX CYCLONE

includes Parts List & Electrical Wiring Diagram



| | | |
|----------------------|-----------|----|
| USER MANUAL | EN | 2 |
| BEDIENUNGSANLEITUNG | DE | 9 |
| MANUEL D'UTILISATION | FR | 17 |
| MANUAL DEL USUARIO | ES | 24 |

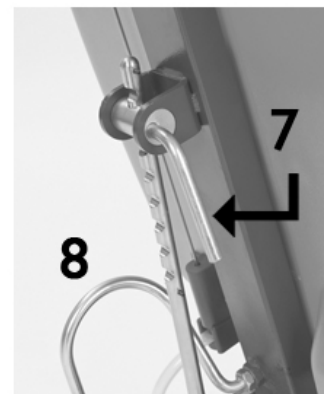
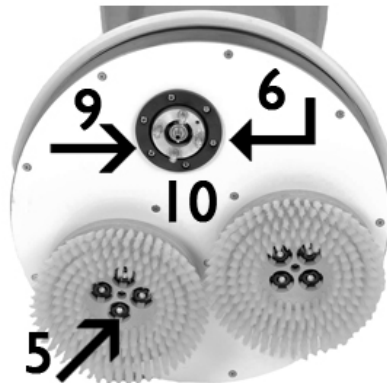
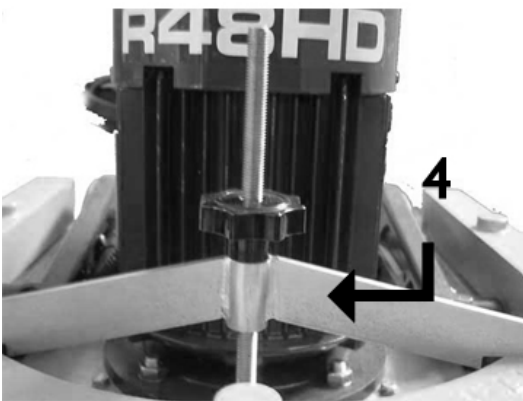


03-7982-0000 05/12 V.1

www.truvox.com



A Tacony Company



ORIGINAL INSTRUCTIONS

WARNING - READ THESE INSTRUCTIONS BEFORE USING THE MACHINE & RETAIN FOR FUTURE REFERENCE

CIMEX CYCLONE

The following manual contains important information about the machine and safety advice for the operator.



WARNING



Earth Ground Symbol



Waste Electrical and Electronic Equipment (WEEE)

Do not dispose of this device with unsorted waste. Improper disposal may be harmful to the environment and human health. Please refer to your local waste authority for information on return and collection systems in your area.

EC DECLARATION OF CONFORMITY

Machine Type: Three Brush

Type: Cimex Cyclone

Model: CR38...,
CRS38..., CR48...,
CR48/DF...

This machine is in conformity with the following EU directives:

2006/42/EC

Machinery Directive

2004/108/EC

The EMC Directive

Applied harmonised standards

EN60335-1, EN60335-2-67,
EN55014-1, EN55014-2,
EN610003-2, EN610003-3,
EN62233

CE *M. Eneas.*

Truvox International
Unit C (East) Hamilton
Business Park, Manaton
Way, Botley Road, Hedge
End, Southampton,
SO30 2JR, England

Malcolm Eneas
Operations Manager

Southampton, 30-04-2004

TECHNICAL SPECIFICATIONS

| Model | | Cyclone 38 | Cyclone 38 | Cyclone 48 | Diamond Finisher 48 |
|---|-------------------|---------------|------------|---------------|---------------------|
| Product Code | | CR38 | CRS38 | CR48 | CR48 DF |
| Voltage AC (-)/ Frequency | V/ Hz | 230/ 50 | | | - |
| Motor power | W | 370 | | 550 | - |
| Motor power (single phase/ three phase) | W | - | | | 1500/- |
| Solution tank capacity | l | 25 | | | - |
| Working width | cm | 38 | | 48 | - |
| Pad/brush speed | rpm | 620 | 400 | | 880 |
| Pad/brush pressure | g/cm ² | 45 | | 38 | - |
| Pad/brush diameter | cm | 16.5 | | 20 | 48 |
| Productivity | m ² /h | - | | | 600 |
| Productivity - Scrubbing | m ² /h | 1140 | - | 1140 | - |
| Productivity - Polishing | m ² /h | 1710 | - | 2160 | - |
| Productivity - Spray clean | m ² /h | 850 | - | 1080 | - |
| Productivity - Shampooing | m ² /h | - | 1140 | | - |
| Sound pressure level | dB (A) | 60 | | | - |
| Dimensions (L x W x H) | cm | 74 x 40 x 112 | | 80 x 50 x 112 | - |
| Weight | kg | 38 | | 47 | 60 |
| Ballast weights | kg | - | | | 17 |
| No. units supplied | | - | | | 2 |
| Cable length | m | 15 | | | |
| Warranty | | 1 year | | | |

- Machine is of Class I construction. Enclosure to IPX4. Models – 110V & 230 V ~ 50 Hz. fitted with 15m supply cord type H05VV-F 3x1.0mm² (10A), and plug.
- Sound pressure levels measured at a distance of 1 metre from machine and 1.6 metres above the floor, when scrubbing a hard floor. Measurements recorded using a hand held meter.
- Handle vibration does not exceed 2,5m/s², when operating on any surface with brush or pads. Measurements recorded by an independent test laboratory.
- All machines supplied with two 17kg weights.

If you have any queries or questions, please contact the supplier who you purchased the machine from or Truvox International.

Truvox International Limited

Unit C (East) Hamilton Business Park, Manaton Way,
Botley Road, Hedge End, Southampton, SO30 2JR,
United Kingdom; Tel.: +44 (0) 23 8070 6600;
Fax: +44 (0) 23 8070 5001; Email: sales@truvox.com;
Web: www.truvox.com

Please refer to machine pictures on page 1

- | | |
|---|---|
| 1 Motor switch lever When raised switches motor ON and starts the rotating heads, when released switches motor OFF and stops the heads. Each time the lever is operated the direction of head rotation is reversed, improving the quality of cleaning and prolonging disc/pad life. | 5 Drive pins |
| 2 Solution feed lever Operates flow valve in solution tank (if fitted). <ul style="list-style-type: none">• Pull lever to release solution.• Release lever to stop flow. | 6 Rotating heads |
| 3 Handle | 7 Handle adjustment lever From the upright position, lift the handle adjustment lever and pull the handle backwards to a comfortable working height, then press lever down to lock handle in position |
| 4 Clamping bar | 8 Cable hooks Used to hold supply cord in place on handle when machines not in use |
| | 9 Drive plates Attachment point for brushes or drive discs and pads |
| | 10 Rotating dust cover |

1. Product information

The three brush floor cleaning machines' inherent stability combined with an intense cleaning action makes it especially suited for the finishing of marble, granite, terrazzo, and other stone floors. The Cimex Cyclone machines should not be used in outdoor areas. The machine is intended for commercial use, for example in hotels, schools, hospitals, factories, shops, offices, rental businesses and other than normal housekeeping purposes.

The following instructions contain important information about the machines and safety advice for the operator. These instructions are valid for the following models:

Cimex Cyclone CR38..., CRS38..., CR48..., Cimex Diamond Finisher CR48/DF...

Equipment must be operated, serviced and maintained in accordance with the manufacturer's instructions. If in doubt contact the supplier of your machine.



1.1 Important safety advice

When using this machine, basic safety precautions should be followed, including the following:

- This machine must only be used for the manufacturer's approved application as described in this manual.
- Please note that the safety information described in the manual supplements and does not replace standards in force in the country in which the machine is used.
- **WARNING** - Only use accessories and spare parts provided with the machine or those approved by the

manufacturer. The use of other spare parts or accessories may impair the safety of the machine.

- **CAUTION** - This machine is for dry indoor use only and should not be used or stored outdoors in wet conditions.
- All parts are to be positioned as indicated in the instructions before using the machine.
- The machine must be unpacked and assembled in accordance with these instructions before connecting to the electrical supply.
- **DO NOT** use where hazardous dust is present.
- **DO NOT** use in an explosive atmosphere.
- **DO NOT** pick up or use near flammable fluids, dusts or vapours.
- **DO NOT** use to clean up any burning or lighted materials such as cigarettes, matches, ashes or other combustible objects.
- Take care when using a machine near the top of stairs to avoid overbalancing.
- Only use the machine on firm level surfaces. **DO NOT** use on a gradient or more than 2% slopes.
- **WARNING** – Do not fill machines with water hotter than 50°C.
- **DO NOT** use diesel/petrol or corrosive detergents to wash floors.
- **DO NOT** wash and vacuum corrosive, flammable and/or explosive liquids, even if diluted.
- **DO NOT** put any object into openings. **DO NOT** use with any opening blocked; keep free of dust, debris and anything that may reduce airflow.
- **DO NOT** cover machine when in use.
- **DO NOT** leave the machine connected to the electricity supply when not in use; always remove the plug from the socket outlet.
- **DO NOT** leave machine running unattended.
- This machine should always be connected to a fully earthed power supply of the right voltage and frequency.
- The machine shall be disconnected from its power source during its cleaning or maintenance and when replacing parts or accessories, by removing the plug from the socket-outlet.
- **DO NOT** use if it has been damaged, left outdoors or dropped into water.
- **DO NOT** operate switches or touch the mains plug with wet hands as this may cause electric shock.
- **WARNING** - Keep the power supply cord clear of moving parts (and/or rotating brushes). During operation hazard may occur when running the machine over the power supply cord.
- **DO NOT** operate the machine with a damaged supply cord or plug, or after the machine malfunctions or is damaged in any way. Contact an authorised Service Agent for repair or adjustment.
- **DO NOT** pull or carry by the supply cord. **DO NOT** use cord as a handle, close door on cord or pull cord around sharp edges or corners.
- The plug of the power supply cord must be removed from the socket-outlet before commencing cleaning of the machine or undertaking maintenance operations.
- **DO NOT** kink or twist the power cord and keep cord away from heated surfaces. □
- When unplugging, pull the plug, not the supply cord.

- The power supply cord must be regularly inspected for signs of damage. If the power supply cord is damaged, it shall only be replaced by a suitable cord by the manufacturer, its service agent or a similar qualified person in order to avoid a hazard.

1.2 Guidelines for the operator

- This machine is not intended for use by persons (including children) with reduced physical, sensory or mental capabilities, or lack of experience and knowledge, unless they have been given supervision or instruction concerning use of the machine by a person responsible for their safety.
- Operators must be fully trained in the use of the machine in accordance with these instructions, able to perform user maintenance and the correct selection of accessories.
- Operators should be physically capable to manoeuvre, transport and operate the machines.
- Operators should be able to recognise unusual operation of the machine and report any problems.
- Keep children and unauthorised persons away from the machine when in use.
- Keep cleaning solutions away from children and pets at all times.
- **CAUTION** - This machine is for dry indoor use only and should not be used or stored outdoors in wet conditions.
- **DO NOT** clean the machine using water sprays or jets.
- Keep hair, loose clothing, hands, feet and all other parts of the body away from openings and moving parts.
- Keep machine clean and in good operating condition.
- Let the machine do the work. Grip the handle as lightly as possible.
- Stand with feet slightly apart to maintain good balance. Avoid twisting the body more than 45 degrees.
- Wear suitable footwear to avoid slipping.
- Wear suitable clothing to keep dry and warm.
- Where possible implement job rotation and adequate rest periods to avoid continuous use of the same muscles.
- **DO NOT** smoke when using the machine.

1.3 Transporting the machine

CAUTION - THIS MACHINE IS HEAVY

Do not attempt to lift the machine without assistance. Incorrect lifting techniques may result in personal injury. We advise that the manual handling regulations are followed. Please refer to the technical table for details on weight of machine. **CAUTION** – When lifting the machine the brush head is free to tip backwards, ensure fingers are kept well clear of the side arms of the chassis. When moving the machine the handle should be locked and the machine tilted back on its wheels. Do not lift or transport the machine whilst containing liquid as this will add considerably to the weight. When transporting the machine ensure that all components, tanks and removable parts are securely fastened. Take extreme care when moving the machine up or down steps or stairs. **CAUTION** – Bumping over thresholds, kerbs and similar

obstacles can damage the machine. Small obstacles can be overcome by pulling the machine backwards.

2. Preparing for use

2.1 Electrical connection

Before connecting the machine to the power supply, check that your supply voltage corresponds with that marked on the rating label on the machine.

UK only

The supply cord for 230v models is fitted with a plug containing a 13 amp fuse. Should the fuse require replacement it must only be replaced by a 13 amp fuse conforming to BS1362, and the fuse cover must be refitted. If the fuse cover is lost the plug must not be used until the correct replacement cover is fitted.

Should an extension cord be used, ensure cord rating is adequate for the equipment. Do not use extension cord in coiled condition as this could result in overheating of the cord. The power supply cord plus any extension leads should not exceed 30 m in total. The cross-section of any extension cable wiring must be at least 2, 5 mm².

WARNING – THIS APPLIANCE MUST BE EARTHED.

2.2 Fitting brushes and pads

- **WARNING** - This appliance has been designed for use with the brushes specified by the manufacturer. The use of other brushes may impair safety.
- Always ensure machine is unplugged before fitting or removing parts.
- Tip the brush head backwards towards the handle, and push 3 brushes of the same type, or drive discs and pads, onto the four drive pins (5) on each of the rotating heads (6).
- Return brush head to the floor.
- Remove brushes by simply pulling them off the drive pins.
- **IMPORTANT** - Never allow the brush head to rest on the drive pins, always tip brush head back when not in use.
- Always keep brushes and pads in sets of three, to ensure even wear in order to prevent vibration.

2.3 Fitting drive backs

- **WARNING** - This appliance has been designed for use with the drive backs specified by the manufacturer. The use of other types may impair its safety.
- Always ensure machine is unplugged before fitting or removing parts.
Tip the machine brush head backwards towards the handle, and push 3 drive backs of the same type onto the four drive pins on each of the rotating heads (6).
- Fit diamond discs to the drive backs. The outer diameter of the discs should align with the outer diameter of the drive back.
- Return brush head to the floor.

- Remove drive backs by simply pulling them off the drive pins.
- **IMPORTANT** - Never allow the brush head to rest on the drive pins, always tip brush head back when not in use.
- Always keep diamond discs in sets of three, to ensure even wear and prevent vibration.

2.4 Adjusting the handle height

Select the most comfortable handle height using the adjustment lever and lock in position.

2.5 Filling the solution tank

- Fill the solution tank with clean water, or water and an appropriate chemical, diluted as recommended by the manufacturer.
- **IMPORTANT** - Use only cleaning agents suitable for automatic machines i.e. low foaming, and follow the chemical manufacturer's directions regarding use, handling, disposal and health and safety provisions.
- **IMPORTANT** - The water or solution must be clean, powder or dirt will block the water channels.
- The tank capacity is 25 litres. Do not overfill the tank as spillage may occur when in use.

3. Controls

The operating controls are located on the handle (1). Please refer to page 1.

4. Operation

4.1 Starting the machine

- Fully unwind the supply cord from the handle and plug in to a convenient socket outlet.
- With the handle set at a comfortable working height, and with both hands on the handle, lift the start/stop lever to START the machine. Releasing the lever will STOP the machine.
- **WARNING** - Never start the machine without drive backs and discs fitted.
- Normal movement of the machine is in a forward and backward direction.
- Always work away from the supply socket to avoid running into the supply cord.

4.2 Processing the floor

- We recommend that the surrounding floor area is protected with plastic sheet, sealed at the edges with adhesive tape.
- When the floor area is sealed off, the processing of the floor can begin.
- With the solution tank full, use coarse discs for a badly scratched floor, or finer grade discs if the damage is less.
- Open the solution flow valve under the tank and start the machine. Begin at least one head diameter away from the edge of the work area or tape.
- Walk at half speed down the edge of the floor, keeping the head of the machine at the edge of the tape. The discs will ride over the tape should you accidentally run onto it.

- Dispense enough solution to keep the floor wet while the machine is operating. When you reach a wall or the extent of the supply cord, return over the same path just covered.
- Each area of the floor should be covered at least twice at half walking pace. Some floors may require extra passes to process it thoroughly.
- On reaching the original starting point, position the machine to process another path parallel to the first and overlapping by 50mm.
- When the entire floor area has been covered, use a wet vacuum with a squeegee attachment to pick up the water and stone residue from the floor.
- Repeat the process using progressively finer discs in turn.
- In areas too small to use the machine, it will be necessary to use a hand polisher with a single abrasive disc.
- Wet vacuum all remaining solution to dry the floor quickly.
- NOTE - If the floor has lippage, or an area of the floor has lippage, it should be wet vacuumed after each processing grit. Lippage will damage abrasive discs and fragments could be picked up and scratch the floor surface. The floor should be vacuumed at any point if the slurry becomes heavy.
- As the floor dries, remove the protective plastic sheeting and tape.
- Where carpet or fabric materials are wet with water and surface residue, flush with clean water and extract with the wet vacuum. This process may need to be repeated several times to remove all residue.
- Where surface residue has dried on a hard surface, a clean dry cloth will quickly remove it.
- Following clean up, damp mop twice with clean water to remove surface residue. The floor will then appear dull and hazy.
- The polishing procedure should be performed after a twenty four hour drying period. On smaller floors the surface may be mechanically dried. The drive backs should be changed to 'Instalok' type fitted with suitable pads for the polishing process. Do not use rusty or discoloured polishing pads.
- Do not leave the machine stationary during polishing, as marks will be left on the floor which may result in the whole procedure having to be repeated.
- Apply polish from a spray bottle; apply sparingly just ahead of the machine as you work. Do not leave wet polish on the floor; work in immediately as it can cause spotting on the floor.
- While processing, the technician should frequently inspect the abrasive pads for wear or damage.
- The survey should determine which grade of disc is used to begin the process. Normally coarse are the starting grit, except where lippage is extreme or surface damage is very slight.
- To eliminate lippage, weights may be added to the machine.
- The operator should examine the floor surface following each processing grade to determine whether the removal of wear or scratching is effective.

4.3 When processing is finished

- When processing is finished, unplug the machine from the power supply, remove weights, raise the brush head and remove the drive backs, and abrasive discs or pads. Wipe over the machine with a damp cloth.
- Remove and clean finishing discs and polishing pads.
- Empty the solution tank by pulling the feed hose off the brush head and directing the hose over a suitable drain.
- **IMPORTANT** - Dispose of unused cleaning solution in accordance with the manufacturer's directions and local authority regulations.
- Flush out solution tank with clean water.

4.4 Scrubbing and stripping

- Fit brushes or drive discs and pads suitable for the surface to be cleaned.
- Fill the solution tank with clean water and an appropriate measure of detergent.
- Before starting the machine release a liberal amount of cleaning solution from the tank to the floor. The flow of solution from the tank is controlled by lifting the left hand lever. Releasing the lever stops the flow.
- Proceed to operate the machine in the normal manner, releasing more cleaning solution from time to time as required.
- Dirty water should not be allowed to accumulate on the floor; it should be removed to prevent dirt from settling. We suggest using a wet & dry vacuum for this purpose.
- When scrubbing/stripping is complete, unplug the machine from the power supply, empty the solution tank and clean and dry the machine.
- **IMPORTANT** - Dispose of unused cleaning solution in accordance with the manufacturer's directions and local authority regulations.

4.5 Bonnet Spraying

- Fill tank with warm water.
- Add Bonnet spray cleaner (D80) in proportions quoted.
- Rotate machine head vertically.
- Place brush and 2 drive backs.
- Place clean bonnets on drive backs.
- Rotate head horizontally ensuring bonnets remain attached.
- Start cleaning operation by:
 - Turning on the machine
 - Turning on pump switch – Note the switch has two positions – momentary pulse and continuous spray.
 - Walk forward spraying carpet ensuring only a light coverage – do not soak the carpet.
 - Check the bonnets regularly and change when dirty.

4.6 Polishing and buffing

- Fit drive discs and pads suitable for the surface to be polished.
- Ensure the floor is clean and dry.
- Walk slowly behind the machine, overlapping each pass to ensure an even finish.

- Do not keep the machine rotating on one spot for more than 10-15 seconds, as this could cause overheating and damage the floor surface.
- Should the machine start to vibrate, or resist the buffing action on the floor, check the cleanliness of the pads. When dirty on one side the pad may be reversed.

4.7 Cimex-Encap Carpet Cleaning

- **IMPORTANT** - Model CR38 (620rpm) is not suitable for use on carpets.
- Fit pad drives and pads or shampoo brushes.
- Fill the solution tank with clean water and an appropriate measure of Cimex-Encap™ Low Moisture solution.
- **CAUTION** - Before cleaning, test a small area of carpet with the shampoo solution to ensure it is colour-fast.
- With the machine running, apply solution to the carpet until thin white foam is obtained. Do not over-wet the carpet.
- Carpet will dry to the touch in approx. 1 hour, but allow overnight drying for full encapsulation process to take place.
- Encapsulated dirt is simply removed by routine vacuuming.

4.8 When cleaning is finished

- When cleaning is finished, unplug the machine from the power supply, raise the brush head and remove brushes or pads, and wipe over the machine with a damp cloth.
- Wash brushes and pads in warm soapy water, rinse and allow to dry naturally.
- Empty the solution tank by pulling the feed hose off the brush head and directing the hose over a suitable drain.
- **IMPORTANT** - Dispose of unused cleaning solution in accordance with the manufacturer's directions and local authority regulations.
- Flush out solution tank with clean water.

5. Storage

- After use always wipe down and dry the machine, and remove and clean the drive backs, pads or brushes. Clean the rotating dust cover (10) and check the condition of the brush seals (9). The seals should be cleaned periodically to maintain their effectiveness.
- The solution tank should be emptied and flushed out with clean water.
- The machine should normally be stored with the handle in the raised position and the brush head tipped back. Never leave the brush head resting on the drive pins.
- Wrap supply cord around the handlebar and cable winder ensuring that the plug is not trailing on the floor.
- Store the machine in a dry indoor area only.

6. Maintenance

WARNING - Before undertaking maintenance operations or adjustments switch off machine and unplug from the electricity supply.

IMPORTANT – All other servicing and repairs should only be performed by a Truvox engineer or Authorised Service Agent.

IMPORTANT – Should the machine fail to operate please refer to the fault diagnosis section in the back of this instruction manual. If the problem/ remedy is not listed please contact Truvox Customer Service Department for rapid attention.

The machine requires minimum maintenance apart from the following checks by the operator prior to use:

- Supply cord - Regularly inspect sheath, plug and cord anchorage for damage or loose connection. Only replace the supply cord with the type specified in these instructions.
- Solution Tank - Check water flow, if restricted inspect hoses and tubes for blockage or kinks. Dismantle control valve to clean if necessary.
- Drive backs, pads and brushes - Inspect for wear and replace worn brushes. Clean under running water.

7. After sales service

Truvox machines are high quality machines that have been tested for safety by authorised technicians. It is always apparent that after longer working periods, electrical and mechanical components will show signs of wear and tear or ageing. To maintain operational safety and reliability the following service interval has been defined: Every year or after 250 hours. Under extreme or specialised conditions and/or insufficient maintenance, shorter maintenance intervals are necessary. Use only original Truvox spare parts. Use of other spare parts will invalidate all warranty and liability claims. Should you require after sales service please contact the supplier from whom you purchased the machine, who will arrange service. Repairs and servicing of Truvox products should only be performed by trained staff. Improper repairs can cause considerable danger to the user.

8. Guarantee

Your product is guaranteed for one year from the date of original purchase, or hire purchase, against defects in materials or workmanship during manufacture. Within the guarantee period we undertake at our discretion, to repair or replace free of charge to the purchaser, any part found to be defective, subject to the following conditions:

CONDITIONS

1. Claims made under the terms of the guarantee must be supported by the original invoice/bill of sale issued at the time of sale, or the machine Serial No.
2. For claims under this guarantee contact the supplier from whom you purchased the product who will arrange the appropriate action. Do not initially return the product as this could result in transit damage.
3. Neither Truvox nor its distributor shall be liable for any incidental or consequential loss.
4. This guarantee is governed by the laws of England.
5. This guarantee does not cover any of the following:
 - Periodic maintenance, and repair or replacement of parts due to normal wear and tear.
 - Damage caused by accident, misuse or neglect, or the fitting of other than genuine Truvox parts.
 - Defects in other than genuine Truvox parts, or repairs, modifications or adjustments performed by other than a Truvox service engineer or authorised service agent.
 - Costs and risks of transport relating directly or indirectly to the guarantee of this product.
 - Consumable items such as, brushes, drive discs, filters and vacuum skirts.
 - This guarantee does not affect your statutory rights, or your rights against the supplier arising from their sales or purchase contract. Truvox International Limited policy is one of continual product development and we reserve the right to alter specifications without prior notice.

9. Accessories

| Item | CR38 (16cm) | CR48 (20cm) | CR48/DF | Usage |
|---|--------------|--------------|--------------|----------------------------|
| Polypropylene brush (yellow) | 11-1604-0500 | 11-2004-0500 | - | Medium scrubbing |
| Nylon brush (white) | 11-1605-0500 | 11-2005-0500 | - | Standard scrubbing |
| Shampoo brushes (white) | 11-1607-0500 | 11-2007-0500 | - | |
| Drive disc | 11-1662-0500 | 11-2062-0500 | - | |
| Fibre (biscuit) | - | 11-2001-0500 | - | General purpose scrubbing |
| Polypropylene brush (yellow) | - | 11-2003-0500 | - | Light scrubbing |
| Bronze/Polypropylene mix brush (white/bronze) | - | 11-2013-0500 | - | Abrasive scrubbing |
| Tynex brush (grey) | - | 11-2016-0500 | - | Extra heavy duty scrubbing |
| Velcro drive disc | - | 11-2060-0500 | - | |
| Crimped wire | - | - | 11-2041-0500 | Chequer plate cleaning |
| Steel wire 18G | - | - | 11-2043-0500 | Concrete finishing |
| Bronze wire 18G | - | - | 11-2045-0500 | Spark-free scarifying |
| Steel wire 3x 16G | - | - | 11-2049-0500 | General scarifying |
| Steel wire 3x 14G | - | - | 11-2051-0500 | Heavy duty scarifying |
| Velcro drive back | - | - | 05-4346-0000 | For diamond tooling |

NOTE - Brushes are supplied in sets of 3.

10. Fault diagnosis

The following simple checks may be performed by the operator:

| Trouble | Reason | Remedy |
|--|--|---|
| Motor not running | <ul style="list-style-type: none"> Lack of voltage/ electrical supply Safety cut-out switch faulty | <ul style="list-style-type: none"> Check fuse *, supply cord, plug, socket outlet and circuit breaker |
| Machine stalls during operation | <ul style="list-style-type: none"> Damaged brushes/ pads | <ul style="list-style-type: none"> Replace brushes/ pads |
| Motor running, but brushes not rotating | <ul style="list-style-type: none"> Loose or broken drive belt | <ul style="list-style-type: none"> Remove rotating dust cover and fit new drive belt, or call Service Agent |
| Machine vibrates | <ul style="list-style-type: none"> Damaged or dirty brushes/ pads Unequal thickness of brushes/ pads | <ul style="list-style-type: none"> Replace or clean brushes/ pads Replace with 3 brushes/ pads of equal thickness |
| Cleaning solution not flowing | <ul style="list-style-type: none"> Dirt in tank, outlet blocked Flow valve not open | <ul style="list-style-type: none"> Flush out tank with clean water Check all valves are open |

* If the fuse blows several times, the machine should be checked by an authorised Service Agent.

**ACHTUNG – LESEN SIE DIESE ANLEITUNG VOR DER VERWENDUNG DES GERÄTES SORGFÄLTIG DURCH
UND BEWAHREN SIE SIE FÜR REFERENZZWECKE AUF**

CIMEX CYCLONE

Diese Bedienungsanleitung enthält wichtige Informationen zu diesem Gerät sowie Sicherheitsanweisungen für den Benutzer.



ACHTUNG



Erdungssymbol

EU-KONFORMITÄTSERKLÄRUNG

Gerätetyp: 3-Bürsten

Typ: Cimex Cyclone

Modell: CR38...,
CRS38..., CR48...,
CR48/DF...

Dieses Gerät entspricht den folgenden EU-Richtlinien:

2006/42/EG **Maschinenrichtlinie**

2004/108/EG **EMV-Richtlinie**

Angewendete harmonisierte Normen
EN60335-1, EN60335-2-67,
EN55014-1, EN55014-2,
EN610003-2, EN610003-3,
EN62233

CE *M. Eneas.*
Malcolm Eneas
Operations Manager

Truvox International
Unit C (East) Hamilton
Business Park, Manaton
Way, Botley Road, Hedge
End, Southampton,
SO30 2JR, England

Southampton, 30-04-2004



Elektro- und Elektronik-Altgeräte (WEEE)

Entsorgen Sie dieses Gerät nicht im Hausmüll. Eine unsachgemäße Entsorgung kann die Umwelt und die Gesundheit schädigen. Wenden Sie sich für Informationen über die Abgabe- und Sammelsysteme in Ihrer Region an die lokale Entsorgungsstelle.

TECHNISCHE ANGABEN

| Modell | Cyclone 38 | Cyclone 38 | Cyclone 48 | Diamond Finisher 48 |
|---|--------------------|---------------|---------------|---------------------|
| Produktnummer | CR38 | CRS38 | CR48 | CR48 DF |
| Spannung AC (-)/ Frequenz | V/ Hz | 230/ 50 | | - |
| Motorleistung | W | 370 | 550 | - |
| Motorleistung (Wechselstrom/ Drehstrom) | W | - | | 1500/- |
| Füllmenge Laugentank | l | 25 | | - |
| Arbeitsbreite | cm | 38 | 48 | - |
| Scheiben-/Bürstendrehzahl | U/ min | 620 | 400 | 880 |
| Scheiben-/Bürstendruck | g/ cm ² | 45 | 38 | - |
| Scheiben-/Bürstendurchmesser | cm | 16.5 | 20 | 48 |
| Arbeitsleistung | m ² /h | - | | 600 |
| Arbeitsleistung Scheuern | m ² /h | 1140 | - | 1140 |
| Arbeitsleistung Polieren | m ² /h | 1710 | - | 2160 |
| Arbeitsleistung Sprühreinigung | m ² /h | 850 | - | 1080 |
| Arbeitsleistung Schamponieren | m ² /h | - | 1140 | - |
| Geräuschpegel | dB (A) | 60 | | - |
| Abmessungen (H x B x L) | cm | 74 x 40 x 112 | 80 x 50 x 112 | - |
| Gewicht | kg | 38 | 47 | 60 |
| Ballastgewichte | kg | - | | 17 |
| Anz. gelieferte Einheiten | | - | | 2 |
| Kabellänge | m | 15 | | |
| Gewährleistung | | 1 Jahr | | |
| <ul style="list-style-type: none"> • Klasse-I-Ausführung. Gehäuse entspricht IPx4. Modelle – 110 V & 230 V ~ 50 Hz. Ausgestattet mit 15 m Stromkabel Typ H05VV-F 3x1,0 mm² (10A) und Stecker. • Die Geräuschentwicklung wurde im Abstand von 1 Meter von der Maschine und 1,6 Metern über dem Boden beim Reinigen von Hartboden gemessen. Die Messungen wurden mit einem Handmessgerät durchgeführt. • Die Griffvibration übersteigt 2,5 m/s² auf allen Oberflächen im Betrieb mit Bürste oder Reinigungsscheibe nicht. Die Messungen wurden von einem unabhängigen Testlabor durchgeführt. • Alle Maschinen werden mit zwei 17-kg-Gewichten geliefert. | | | | |

Wenn Sie Probleme oder Fragen haben, wenden Sie sich an den Fachhändler, bei dem Sie die Maschine erworben haben, oder an Truvox International.

Truvox International Limited

Unit C (East) Hamilton Business Park, Manaton Way, Botley Road, Hedge End, Southampton, SO30 2JR, Großbritannien; Tel.: +44 (0) 23 8070 6600; Fax: +44 (0) 23 8070 5001; E-Mail: sales@truvox.com; Web: www.truvox.com

Beachten Sie die Geräteabbildungen auf Seite 1

- | | |
|--|--|
| <p>1 Motorschalter Wird er nach oben gelegt, schaltet sich der Motor EIN und die Drehköpfe starten, wird er losgelassen, schaltet sich der Motor AUS und die Drehköpfe halten an. Jedes Mal, wenn der Hebel betätigt wird, ändert sich die Drehrichtung; dies verbessert die Reinigungsleistung und verlängert die Lebensdauer der Scheiben/Bürsten.</p> <p>2 Laugentankhebel Steuert das Ventil im Laugentank (wenn montiert).</p> <ul style="list-style-type: none">• Ziehen Sie am Hebel, um das Ventil zu öffnen.• Lassen Sie den Hebel los, um das Ventil zu schließen. <p>3 Griff</p> <p>4 Haltebügel</p> | <p>5 Mitnehmerbolzen</p> <p>6 Drehköpfe</p> <p>7 Justierhebel für den Griff Heben Sie in aufrechter Position den Justierhebel für den Griff an und ziehen Sie den Griff nach hinten in eine bequeme Arbeitshöhe; drücken Sie dann den Hebel nach unten, um den Griff festzustellen.</p> <p>8 Kabelhaken Zur Befestigung des Stromkabels am Griff, wenn das Gerät nicht in Betrieb ist</p> <p>9 Antriebsplatten Befestigungspunkt für Bürsten oder Reinigungsscheiben</p> <p>10 Drehbarer Staubschutz</p> |
|--|--|

1. Produktinformationen

Die charakteristische Stabilität der 3-Bürsten-Bodenreinigungsmaschine in Kombination mit ihrer starken Reinigungsleistung machen sie ideal für die Bearbeitung von Marmor, Granit, Terrazzo und anderen Steinböden. Die Cimex-Cyclone-Maschinen sollten nicht in Außenbereichen verwendet werden. Das Gerät ist für die gewerbliche Nutzung, zum Beispiel in Hotels, Schulen, Krankenhäusern, Fabriken, Ladengeschäften, Büros, Vermietungsunternehmen und andere Zwecke außer der normalen Haushaltsreinigung vorgesehen.

Diese Bedienungsanleitung enthält wichtige Informationen zu den Geräten sowie Sicherheitsanweisungen für den Benutzer. Diese Bedienungsanleitung gilt für folgende Modelle:

Cimex Cyclone CR38..., CRS38..., CR48..., Cimex Diamond Finisher CR48/DF...

Das Gerät muss im Einklang mit den Anweisungen des Herstellers bedient, instand gehalten und gewartet werden. Wenden Sie sich im Zweifelsfall an Ihren Fachhändler.

- Das Gerät darf nur für den vom Hersteller vorgesehenen Verwendungszweck, wie in dieser Anleitung beschrieben, verwendet werden.
- Beachten Sie, dass die Sicherheitshinweise in den Ergänzungen zur Bedienungsanleitung keinen Vorrang vor den Normen in dem Land, in dem das Gerät benutzt wird, haben.
- **ACHTUNG** - Verwenden Sie nur Zubehör- und Ersatzteile, die mit der Maschine geliefert werden oder vom Hersteller

1.1 Wichtiger Sicherheitshinweis



Bei der Verwendung dieses Geräts sollten die grundlegenden Sicherheitsvorkehrungen eingehalten werden, unter anderem die folgenden:

zugelassen sind. Durch die Verwendung anderer Ersatz- oder Zubehörteile kann die Sicherheit der Maschine beeinträchtigt werden.

- **HINWEIS** - Diese Maschine ist nur für die Verwendung in trockenen Innenräumen vorgesehen und darf nicht im Freien bei feuchtem Wetter verwendet oder gelagert werden.
- Alle Teile müssen vor der Benutzung des Gerätes wie in der Anleitung angegeben positioniert werden.
- Das Gerät muss vor seinem Anschluss an die Stromversorgung entsprechend dieser Anleitung ausgepackt und montiert werden.
- Verwenden Sie das Gerät **NICHT** in Räumen mit gefährlichem Staub.
- Verwenden Sie das Gerät **NICHT** in explosionsfähigen Atmosphären.
- Starten oder verwenden Sie das Gerät **NICHT** in der Nähe entzündlicher Flüssigkeiten, Stäube oder Dämpfe.
- Verwenden Sie das Gerät **NICHT**, um damit brennende oder glimmende Materialien wie Zigaretten, Streichhölzer, Asche oder andere entzündliche Gegenstände aufzunehmen.
- Verwenden Sie das Gerät am oberen Ende von Treppen mit Vorsicht, um Unfälle durch Gleichgewichtsverlust zu vermeiden.
- Nutzen Sie das Gerät nur auf festen, ebenen Oberflächen. Verwenden Sie das Gerät **NICHT** auf schrägen Flächen und bei einem Gefälle von mehr als 2 %.
- **ACHTUNG – Befüllen Sie die Maschinen nicht mit Wasser**, das wärmer ist als 50 °C.
- Verwenden Sie **NIEMALS** Diesel/Benzin oder ätzende Reinigungsmittel auf den Böden.
- Wischen und saugen Sie **NIEMALS** ätzende, entflammbare und/oder explosive Flüssigkeiten, auch nicht in Verdünnung.
- Stecken Sie **KEINE** Gegenstände in die Öffnungen des Geräts. Verwenden Sie das Gerät **NICHT**, wenn Öffnungen versperrt sind. Entfernen Sie Staub, Unrat und alles, was zu einer Beeinträchtigung des Luftstroms führen könnte.
- Decken Sie das Gerät während der Benutzung **NICHT** ab.
- Ziehen Sie den Stecker der Maschine **IMMER** nach der Verwendung aus der Steckdose; lassen Sie das Gerät nie an die Stromversorgung angeschlossen.
- Lassen Sie das Gerät **NICHT** unbeaufsichtigt laufen.
- Die Maschine sollte immer mit einem ordnungsgemäß geerdeten Stromanschluss mit der richtigen Spannung und Frequenz verbunden werden.
- Wenn es gereinigt oder gewartet wird oder wenn Teile oder Zubehör ausgetauscht werden, sollte das Gerät immer durch Abziehen des Steckers aus der Steckdose von der Stromversorgung getrennt werden.
- Benutzen Sie das Gerät **NICHT**, wenn es beschädigt, draußen stehen gelassen oder in Wasser eingetaucht wurde.
- Betätigen Sie die Schalter und berühren Sie den Netzstecker **NICHT** mit nassen Händen, da Sie dabei einen elektrischen Schlag bekommen können.
- **ACHTUNG** - Halten Sie das Stromkabel von sich bewegenden Teilen (und/oder rotierenden Bürsten) fern.

Wenn die Maschine während des Betriebs über das Stromkabel fährt, besteht Unfallgefahr.

- Betrieben Sie die Maschine **NICHT** wenn das Stromkabel oder der Stecker beschädigt sind oder wenn die Maschine technische Fehler oder Beschädigungen aufweist. Wenden Sie sich zur Reparatur oder Justierung an einen autorisierten Wartungstechniker.
- Ziehen oder tragen Sie das Gerät **NICHT** am Kabel. Verwenden Sie das Kabel **NICHT** als Griff. Klemmen Sie das Kabel nicht in Türen ein und ziehen Sie es nicht über scharfe Kanten oder Ecken.
- Bevor die Maschine gereinigt oder gewartet wird, muss der Stecker des Stromkabels aus der Steckdose gezogen werden.
- Knicken und verdrehen Sie das Kabel **NICHT** und halten Sie das Stromkabel von heißen Flächen fern. □
- Ziehen Sie beim Abziehen des Steckers immer am Stecker, nicht am Kabel.
- Das Stromkabel muss regelmäßig auf Schäden überprüft werden. Wenn das Stromkabel beschädigt ist, darf es nur vom Hersteller, einem autorisierten Fachhändler oder einer ähnlich qualifizierten Person ausgetauscht werden, um Unfallgefahren zu vermeiden.

1.2 Richtlinien für die Benutzer

- Diese Maschine sollte nicht von Personen (einschließlich Kindern) mit eingeschränkten physischen, sensorischen oder geistigen Fähigkeiten oder mangelnden Erfahrungen und Kenntnissen benutzt werden, sofern sie nicht von einer Person, die für ihre Sicherheit verantwortlich ist, entsprechend beaufsichtigt oder angeleitet werden.
- Die Benutzer des Gerätes müssen für den Betrieb ordnungsgemäß gemäß dieser Bedienungsanleitung geschult worden sein, sie müssen die Benutzerwartung ausführen können und in der Lage sein, das richtige Zubehör auszuwählen.
- Benutzer müssen körperlich dazu in der Lage sein, die Maschinen zu steuern, zu transportieren und zu bedienen.
- Benutzer müssen dazu in der Lage sein, ungewöhnliches Maschinenverhalten festzustellen und Probleme zu melden.
- Halten Sie während des Betriebs Kinder und Unbefugte vom Gerät fern.
- Halten Sie die Reinigungslauge stets von Kindern und Haustieren fern.
- **HINWEIS** - Diese Maschine ist nur für die Verwendung in trockenen Innenräumen vorgesehen und darf nicht im Freien bei feuchtem Wetter verwendet oder gelagert werden.
- Reinigen Sie das Gerät **NICHT** mithilfe von Wassersprühern oder -strahlen.
- Halten Sie Haare, lockere Kleidung, Finger, Füße und alle anderen Körperteile von den Öffnungen und beweglichen Teilen fern.
- Halten Sie die Maschine sauber und in einem ordnungsgemäßen Betriebszustand.
- Lassen Sie die Maschine die Arbeit machen. Halten Sie den Griff so leicht wie möglich fest.
- Stellen Sie sich mit leicht gespreizten Beinen hin, um das Gleichgewicht zu bewahren. Drehen Sie den Körper nicht um mehr als 45 Grad.
- Tragen Sie geeignetes, rutschfestes Schuhwerk.
- Tragen Sie geeignete Kleidung, die trocken und warm

hält.

- Nutzen Sie nach Möglichkeit Arbeitswechsel und angemessene Ruhepausen, damit nicht immer die gleichen Muskeln belastet werden.
- Während des Betriebs darf **NICHT** geraucht werden.

1.3 Transport der Maschine

HINWEIS - DIESE MASCHINE IST SCHWER

Versuchen Sie nicht, die Maschine allein anzuheben. Eine falsche Hebetchnik kann zu Verletzungen führen. Befolgen Sie die Anweisungen zur manuellen Handhabung von Lasten. Angaben zum Gewicht der Maschine finden Sie in der Übersicht der technischen Daten. **HINWEIS** – Wenn die Maschine angehoben wird, kann der Bürstenkopf nach hinten kippen; halten Sie Ihre Finger von den Seitenarmen des Gehäuses fern. Wenn die Maschine bewegt wird, sollte der Griff festgestellt und die Maschine auf ihre Räder gekippt sein. Heben und transportieren Sie die Maschine nicht, solange sich Flüssigkeit im Tank befindet, da das Gewicht dann beträchtlich höher ist. Stellen Sie für den Transport der Maschine sicher, dass alle Bauteile, Tanks und losen Teile sicher befestigt sind. Seien Sie besonders vorsichtig, wenn Sie die Maschine Stufen und Treppen hoch- oder herunter transportieren. **HINWEIS** – Erschütterungen durch Schwellen, Umrundungen oder ähnliche Hindernisse können die Maschine beschädigen. Kleine Hindernisse können überwunden werden, indem die Maschine rückwärts gezogen wird.

2. Betriebsvorbereitung

2.1 Anschluss an die Stromversorgung

Überprüfen Sie, ob die Netzspannung dem Nennwert auf der Maschine entspricht, bevor Sie die Maschine an das Stromnetz anschließen.

Nur für Großbritannien

Das Stromkabel für Modelle, die mit 230V betrieben werden, ist mit einem Stecker ausgestattet, der eine 13-Ampere-Sicherung enthält. Wenn die Sicherung ausgewechselt werden muss, darf sie nur durch eine 13-Ampere-Sicherung ersetzt werden, die BS1362 entspricht. Die Sicherungsabdeckung muss wieder angebracht werden. Wenn die Sicherungsabdeckung verloren gegangen ist, darf der Stecker erst dann verwendet werden, wenn eine ordnungsgemäße Ersatzabdeckung angebracht wurde.

Sollte ein Verlängerungskabel verwendet werden, muss die Leistung des Kabels für das Gerät ausreichend sein. Verwenden Sie das Verlängerungskabel nicht im aufgewickelten Zustand, da es sonst überhitzen kann. Das Stromkabel zusammen mit eventuell verwendeten Verlängerungskabeln sollte insgesamt nicht länger als 30 m sein. Der Querschnitt der Verlängerungskabel darf 2,5 mm² nicht unterschreiten.

ACHTUNG – DIESES GERÄT MUSS GEERDET WERDEN.

2.2 Montage der Bürsten und Reinigungsscheiben

- **ACHTUNG** - Verwenden Sie für dieses Gerät nur die vom Hersteller vorgegebenen Bürsten. Die Verwendung anderer Bürsten kann die Sicherheit beeinträchtigen.

- Überprüfen Sie immer, ob der Stecker der Maschine aus der Steckdose gezogen wurde, bevor Sie Teile montieren oder entfernen.
- Kippen Sie den Bürstenkopf nach hinten zum Griff und drücken Sie 3 Bürsten des gleichen Typs oder Treibteller und Reinigungsscheiben auf die vier Antriebsstifte (5) auf jedem der Drehköpfe (6).
- Stellen Sie den Bürstenkopf zurück auf den Boden.
- Zum Abnehmen ziehen Sie die Bürsten einfach von den Antriebsstiften ab.
- **WICHTIG** - Der Reinigungskopf darf nie auf den Antriebsstiften stehen; kippen Sie den Bürstenkopf immer zurück, wenn die Maschine nicht verwendet wird.
- Benutzen Sie die Bürsten und Reinigungsscheiben immer in Dreiersets, um eine gleichmäßige Abnutzung sicherzustellen und Vibrationen zu vermeiden.

2.3 Montage der Treibteller

- **ACHTUNG** - Verwenden Sie für dieses Gerät nur die vom Hersteller vorgegebenen Treibteller. Die Verwendung anderer Typen kann die Sicherheit beeinträchtigen.
- Überprüfen Sie immer, ob der Stecker der Maschine aus der Steckdose gezogen wurde, bevor Sie Teile montieren oder entfernen.
Kippen Sie den Bürstenkopf nach hinten zum Griff und drücken Sie 3 Treibteller des gleichen Typs auf die vier Antriebsstifte auf jedem der Drehköpfe (6).
- Befestigen Sie die Diamant-Reinigungsscheiben auf den Treibtellern. Der äußere Rand der Reinigungsscheiben sollte mit dem Rand der Treibteller abschließen.
- Stellen Sie den Bürstenkopf zurück auf den Boden.
- Zum Abnehmen ziehen Sie die Treibteller einfach von den Antriebsstiften ab.
- **WICHTIG** - Der Reinigungskopf darf nie auf den Antriebsstiften stehen; kippen Sie den Bürstenkopf immer zurück, wenn die Maschine nicht verwendet wird.
- Benutzen Sie die Diamant-Reinigungsscheiben immer in Dreiersets, um eine gleichmäßige Abnutzung sicherzustellen und Vibrationen zu vermeiden.

2.4 Justierung der Griffhöhe

Stellen Sie mit dem Justierhebel eine bequeme Griffhöhe ein und arretieren Sie den Griff.

2.5 Füllen des Laugentanks

- Füllen Sie klares Wasser oder Wasser und ein nach den Empfehlungen des Herstellers verdünntes Reinigungsmittel in den Tank ein.
- **WICHTIG** - Verwenden Sie nur Reinigungsmittel, die für automatische Maschinen geeignet sind (schaumarm). Beachten Sie die Anweisungen des Reinigungsmittelherstellers bezüglich des Einsatzes, der Anwendung, der Entsorgung sowie der Gesundheits- und Sicherheitsvorkehrungen.
- **WICHTIG** - Das Wasser bzw. die Lauge muss sauber sein; Staub oder Schmutz verstopfen die Wasserkanäle.
- Der Tank hat eine Füllmenge von 25 Litern. Überfüllen Sie den Tank nicht, da er sonst während der Benutzung überlaufen kann.

3. Bedienelemente

Die Bedienelemente befinden sich am Griff (1). Beachten Sie die Abbildungen auf Seite 1.

4. Betrieb

4.1 Einschalten der Maschine

- Wickeln Sie das Stromkabel vollständig vom Griff ab und stecken Sie den Stecker in eine nahegelegene Steckdose.
- Stellen Sie den Griff auf eine bequeme Höhe ein, legen Sie beide Hände an den Griff und legen Sie den Ein-Aus-Hebel nach oben, um die Maschine zu STARTEN. Wenn der Hebel losgelassen wird, STOPPT die Maschine.
- **ACHTUNG** - Schalten Sie die Maschine nie ein, wenn die Treibteller und Reinigungsscheiben nicht montiert sind.
- Während des Betriebes wird die Maschine normalerweise **nach vorn und zurück** bewegt.
- Bewegen Sie sich bei der Arbeit immer von der Steckdose weg, um nicht über das Stromkabel zu fahren.

4.2 Bearbeiten des Bodens

- Wir empfehlen, umliegende Bodenbereiche mit einer Plastikfolie abzudecken, die an den Rändern mit Klebeband abgeschlossen wird.
- Nachdem der Bodenbereich abgetrennt wurde, kann die Bearbeitung des Bodens beginnen.
- Verwenden Sie bei vollem Laugentank grobe Scheiben bei stark verkratzten Böden oder feinere bei geringeren Schäden.
- Öffnen Sie das Laugenventil unter dem Tank und schalten Sie das Gerät ein. Beginnen Sie mindestens einen Reinigungskopfdurchmesser vom Rand des Arbeitsbereiches oder dem Klebeband entfernt.
- Gehen Sie mit halber Geschwindigkeit am Rand des Bodens entlang und halten Sie den Maschinenkopf am Rand des Klebebands. Die Scheiben fahren über das Band, falls Sie versehentlich darauf geraten.
- Verteilen Sie ausreichend Lauge auf dem Boden, um ihn während des Betriebs der Maschine feucht zu halten. Wenn Sie eine Wand oder das Stromkabel erreichen, kehren Sie auf dem gerade bearbeiteten Streifen zurück.
- Jeder Bodenabschnitt sollte mindestens zweimal mit halbem Tempo bearbeitet werden. Bei einigen Böden können zusätzliche Durchgänge notwendig sein, um sie gründlich zu behandeln.
- Wenn Sie Ihren Ausgangspunkt wieder erreicht haben, positionieren Sie die Maschine so, dass Sie den nächsten Abschnitt parallel zum ersten mit einer Überschneidung von 50 mm bearbeiten können.
- Nehmen Sie, nachdem der gesamte Bodenbereich bearbeitet wurde, Wasser- und Steinrückstände mit einem Nasssauger mit Abziehaufsatz vom Boden auf.
- Wiederholen Sie den Vorgang mit immer feineren Reinigungsscheiben.
- Für Bereiche, die für den Einsatz der Maschine zu klein sind, muss ein Handschleifgerät mit einer einzelnen Polierscheibe verwendet werden.
- Entfernen Sie Laugenrückstände mit einem Nasssauger, um den Boden schnell zu trocknen.
- **HINWEIS** - Wenn der Boden oder ein Abschnitt des Bodens Überzahnungen aufweist, sollte er nach jedem Bearbeitungsdurchgang mit dem Nasssauger behandelt werden. Überzahnungen können die Polierscheiben beschädigen und Teile davon können die Bodenoberfläche zerkratzen. Der Boden sollte immer dann abgesaugt werden, wenn der Schleifschlamm zu dick wird.
- Entfernen Sie während der Boden trocknet die Plastikfolie und das Klebeband.

- Sollten Teppich- oder Textilbeläge durch Wasser und Rückstände vom Boden nass geworden sein, spülen Sie diese mit klarem Wasser und saugen Sie sie mit dem Nasssauger ab. Dieser Vorgang muss evtl. mehrmals wiederholt werden, um alle Rückstände zu entfernen.
- Wenn Schleifrückstände auf einem festen Untergrund angetrocknet sind, können sie mit einem sauberen, trockenen Lappen entfernt werden.
- Wischen Sie nach der Reinigung zweimal feucht über den Boden, um Schleifrückstände zu entfernen. Der Boden erscheint dann matt und verschleiert.
- Der Poliervorgang sollte nach einer Trocknungszeit von **vierundzwanzig Stunden** erfolgen. Auf kleineren Bodenflächen kann die Oberfläche mechanisch getrocknet werden. Für den Poliervorgang sollten "Instalok"-Treibteller mit den entsprechenden Scheiben verwendet werden. Verwenden Sie keine rostigen oder verfärbten Polierscheiben.
- Bleiben Sie beim Polieren nicht mit der Maschine auf dem Boden stehen, da dies Spuren auf dem Boden hinterlassen kann, sodass der gesamte Prozess wiederholt werden muss.
- Tragen Sie mithilfe einer Sprühflasche Poliermittel auf; sprühen Sie dieses während der Arbeit sparsam direkt vor der Maschine auf. Arbeiten Sie das Poliermittel sofort in den Boden ein, da es sonst Flecken hinterlassen kann.
- Während des Betriebs sollte der Techniker die Polierscheiben regelmäßig auf Abnutzung oder Schäden überprüfen.
- Bei der Begutachtung sollte festgestellt werden, mit welcher Körnung der Scheiben begonnen wird. Normalerweise wird mit grober Körnung begonnen, außer bei starken Überzahnungen oder bei sehr leichten Oberflächenschäden.
- Um Überzahnungen auszugleichen, können der Maschine Gewichte hinzugefügt werden.
- Der Bediener sollte nach jedem Bearbeitungsdurchgang die Bodenoberfläche prüfen, um festzustellen ob die Abnutzungen oder Kratzer wirksam entfernt wurden.

4.3 Nach der Bearbeitung

- Trennen Sie die Maschine nach Beendigung der Arbeit von der Stromversorgung, entfernen Sie sie Gewichte, heben Sie den Bürstenkopf an und entfernen Sie die Treibteller sowie die Polierscheiben oder -pads. Wischen Sie die Maschine mit einem feuchten Tuch ab.
- Nehmen Sie die Reinigungs- und Polierscheiben ab und reinigen Sie sie.
- Leeren Sie den Laugentank, indem Sie den Tankschlauch vom Bürstenkopf abziehen und über einen geeigneten Ablauf halten.
- **WICHTIG** – Entsorgen Sie die verbliebene Reinigungslauge nach den Anweisungen des Herstellers und den Vorschriften der lokalen Behörden.
- Spülen Sie den Laugentank mit klarem Wasser aus.

4.4 Scheuern und Abziehen

- Bringen Sie eine Bürste oder Treibteller und Reinigungsscheiben für die entsprechende Oberfläche, die gereinigt werden soll, an.
- Füllen Sie sauberes Wasser und die entsprechende Menge Reinigungsmittel in den Laugentank.
- Bringen Sie vor dem Einschalten der Maschine eine großzügige Menge Reinigungslauge aus dem Tank auf dem Boden auf. Der Laugenfluss wird durch Anheben des

linken Handhebels gesteuert. Wenn der Hebel losgelassen wird, wird das Laugenventil geschlossen.

- Bedienen Sie die Maschine normal, bringen Sie gelegentlich mehr Reinigungslauge auf den Boden auf.
- Auf dem Boden sollte sich kein Schmutzwasser ansammeln – entfernen Sie dieses Wasser, damit sich der Schmutz nicht absetzen kann. Wir empfehlen dazu einen Nass-und-Trocken-Sauger.
- Ziehen Sie nach dem Scheuern/Abziehen den Stecker der Maschine aus der Steckdose, leeren Sie den Laugentank und reinigen und trocknen Sie die Maschine.
- **WICHTIG** – Entsorgen Sie die verbliebene Reinigungslauge nach den Anweisungen des Herstellers und den Vorschriften der lokalen Behörden.

4.5 Bonnet-Sprühreinigung

- Füllen Sie den Tank mit warmem Wasser.
- Geben Sie Bonnet-Sprühreiniger (D80) in dem angegebenen Verhältnis hinzu.
- Drehen Sie den Maschinenkopf vertikal.
- Bringen Sie die Bürste und 2 Treibteller an.
- Bringen saubere Bonnets auf den Treibtellern an.
- Drehen Sie den Kopf horizontal, um sicherzustellen, dass die Bonnets sich nicht lösen.
- Beginnen Sie den Reinigungsvorgang wie folgt:
 - Schalten Sie das Gerät an.
 - Schalten Sie die Pumpe ein - Beachten Sie, dass der Schalter zwei Positionen hat: Impuls und durchgehendes Sprühen.
 - Gehen Sie vorwärts und sprühen Sie den Teppich leicht ein - er sollte nicht durchnässt werden.
 - Überprüfen Sie die Bonnets regelmäßig und tauschen Sie sie aus, wenn sie schmutzig sind.

4.6 Glätten und Polieren

- Bringen Sie Treibteller und Scheiben für die entsprechende Oberfläche, die poliert werden soll, an.
- Der Boden muss sauber und trocken sein.
- Gehen Sie langsam hinter der Maschine her und überlappen Sie jeden Durchgang, um ein gleichmäßiges Ergebnis zu erhalten.
- Die Maschine darf nicht mehr als 10-15 Sekunden am gleichen Ort rotieren, da dies zu Überhitzung und zu Schäden an der Bodenoberfläche führen kann.
- Sollte die Maschine anfangen zu vibrieren oder ein Widerstand beim Polieren zu spüren sein, prüfen Sie, ob die Pads sauber sind. Sollten sie auf einer Seite verschmutzt sein, können die Pads umgedreht werden.

4.7 Cimex-Encap Teppichreinigung

- **WICHTIG** - Das Modell CR38 (620 U/min) ist nicht zur Verwendung auf Teppichen geeignet.
- Montieren Sie Antriebsscheiben und Pads oder Shampoo-Bürsten.
- Füllen Sie sauberes Wasser und die entsprechende Menge der Cimex-Encap™ Low-Moisture-Lösung in den Laugentank.
- **HINWEIS** - Testen Sie vor der Reinigung einen kleinen Bereich des Teppichs mit der Shampoo-Lösung auf Farbechtheit.
- Tragen Sie, wenn die Maschine läuft, die Lauge auf den Teppich auf, bis sich eine dünne weiße Schaumschicht bildet. Der Teppich darf nicht zu nass werden.

- Der Teppich trocknet innerhalb von ca. 1 Stunde ab; lassen Sie ihn jedoch über Nacht durchtrocknen, damit der Umschließungsprozess vollständig stattfinden kann.
- Der umschlossene Schmutz lässt sich einfach mit dem Staubsauger entfernen.

4.8 Nach der Reinigung

- Trennen Sie die Maschine nach Beendigung der Reinigung von der Stromversorgung, heben Sie den Bürstenkopf an und entfernen Sie die Bürsten oder Reinigungsscheiben und wischen Sie die Maschine mit einem feuchten Tuch ab.
- Waschen Sie die Bürsten und Pads mit warmem Seifenwasser, spülen Sie sie aus und lassen Sie sie an der Luft trocknen.
- Leeren Sie den Laugentank, indem Sie den Tankschlauch vom Bürstenkopf abziehen und über einen geeigneten Ablauf halten.
- **WICHTIG** – Entsorgen Sie die verbliebene Reinigungslauge nach den Anweisungen des Herstellers und den Vorschriften der lokalen Behörden.
- Spülen Sie den Laugentank mit klarem Wasser aus.

5. Aufbewahrung

- Wischen Sie die Maschine nach der Benutzung immer ab und trocknen Sie sie, entfernen Sie die Treibteller, Reinigungsscheiben und Bürsten und reinigen Sie diese. Reinigen Sie den drehbaren Staubschutz (10) und prüfen Sie den Zustand der Bürstendichtungen (9). Die Dichtungen sollten regelmäßig gereinigt werden, um ihre Wirksamkeit zu gewährleisten.
- Der Laugentank sollte geleert und mit klarem Wasser ausgespült werden.
- Die Maschine sollte in der Regel mit dem Griff in aufrechter Position und mit nach hinten gekipptem Bürstenkopf aufbewahrt werden. Der Bürstenkopf darf nie auf den Antriebsstiften stehen.
- Befestigen Sie das Stromkabel um Griff und Kabelspuler, um sicherzustellen, dass der Stecker nicht auf dem Boden schleift.
- Bewahren Sie die Maschine nur in trockenen Räumen auf.

6. Wartung

ACHTUNG – Die Maschine muss vor der Wartung und Justierung ausgeschaltet werden und ihr Stecker muss von der Stromversorgung getrennt werden.

WICHTIG – Alle weiteren Instandhaltungs- und Reparaturmaßnahmen sollten nur von einem Truvox-Kundendienstmitarbeiter oder einem autorisierten Wartungstechniker durchgeführt werden.

WICHTIG – Sollte an der Maschine eine Funktionsstörung auftreten, folgen Sie den Angaben im Abschnitt Fehlerbehebung im hinteren Teil dieser Bedienungsanleitung. Sollte das Problem/die richtige Lösung dort nicht aufgeführt sein, wenden Sie sich zur schnellen Problembeseitigung an den Kundendienst von Truvox.

Der Umfang der Wartungsarbeiten für die Maschine ist minimal. Der Benutzer muss vor dem Betrieb folgende Wartungsarbeiten vornehmen:

- **Stromkabel** - Überprüfen Sie regelmäßig den Mantel, den Stecker und den Kabelanschluss auf Beschädigungen und

Wackelkontakte. Ersetzen Sie das Stromkabel nur durch Kabel des Typs, der in dieser Anleitung angegeben ist.

- **Laugentank** - Überprüfen Sie die Wasserzuleitung. Wenn diese eingeschränkt ist, kontrollieren Sie die Schläuche auf Knickstellen und Verstopfungen. Bauen Sie ggf. das Steuerungsventil zur Reinigung aus.
- **Treibteller, Scheiben und Bürsten** - Überprüfen Sie diese auf Abnutzung und tauschen Sie verschlissene Bürsten aus. Reinigen Sie sie unter fließendem Wasser.

7. Kundendienst

Die Maschinen von Truvox sind qualitativ hochwertige Maschinen, die von autorisierten Technikern auf ihre Sicherheit geprüft wurden. Es ist offensichtlich, dass die elektrischen und mechanischen Bauteile nach langen Arbeitseinsätzen Abnutzungs- und Alterungserscheinungen aufweisen. Damit die Betriebssicherheit und die Verlässlichkeit immer gegeben ist, wurde folgendes Wartungsintervall festgelegt: Jährlich oder nach 250 Betriebsstunden. Unter extremen oder besonderen Bedingungen oder bei unzulänglicher Wartung sind kürzere Wartungsintervalle notwendig. Verwenden Sie nur Originalersatzteile von Truvox. Bei der Verwendung anderer Ersatzteile verfallen alle Gewährleistungs- und Haftungsansprüche. Wenn Sie den Kundendienst in Anspruch nehmen möchten, wenden Sie sich an den Fachhändler, bei dem Sie die Maschine erworben haben. Reparatur- und Wartungsarbeiten an Truvox-Produkten dürfen nur durch ausgebildetes Personal erfolgen. Unsachgemäße Reparaturarbeiten können beträchtliche Gefahren für die Benutzer mit sich bringen.

8. Garantie

Ihr Produkt verfügt über eine einjährige Garantie auf Material- und Herstellungsfehler ab dem Datum des ursprünglichen Kaufs oder Ratenkaufs. Innerhalb des Garantiezeitraums reparieren oder ersetzen wir nach eigenem Ermessen und für den Käufer kostenlos alle fehlerhaften Teile gemäß folgenden Bedingungen:

GARANTIEBEDINGUNGEN

1. Ansprüche gemäß diesen Garantiebedingungen müssen mit der Originalrechnung/dem Originalkaufbeleg, der zum Zeitpunkt des Verkaufs ausgegeben wurde, oder der Seriennummer der Maschine belegt werden.
2. Wenden Sie sich bei Garantieansprüchen an den Fachhändler, bei dem Sie die Maschine erworben haben, der dann die entsprechenden Schritte einleiten wird. Geben Sie das Produkt nicht sofort zurück, da dies zu Transportschäden führen kann.
3. Truvox und seine Händler haften nicht für beiläufig entstandene und Folgeschäden.
4. Diese Garantie unterliegt englischem Recht.
5. Diese Garantie gilt nicht für Folgendes:
 - Regelmäßige Wartung, Reparatur oder Ersatz von Teilen durch normalen Verschleiß.
 - Schäden durch Unfälle, falsche Verwendung, Vernachlässigung oder durch die Montage von Bauteilen, die keine Truvox-Originalbauteile sind.
 - Schäden an Bauteilen, die keine Truvox-Originalbauteile sind, oder Reparaturen, Änderungen oder Anpassungen, die nicht von einem Truvox-Kundendienstmitarbeiter oder einem autorisierten Wartungstechniker durchgeführt wurden.

- Transportkosten und -risiken, die direkt oder indirekt mit der Garantie dieses Produktes zusammenhängen.
- Verbrauchsgüter wie Bürsten, Treibteller, Filter und Ansaugringe.
- Diese Garantie beeinflusst weder ihre gesetzlich festgelegten Rechte noch die aus dem Kaufvertrag entstehenden Rechte gegenüber ihrem Händler. Truvox International Limited hat sich der ununterbrochenen Weiterentwicklung seiner Produkte verschrieben, wir behalten uns daher das Recht vor, die technischen Angaben ohne vorherige Ankündigung zu Ändern.

9. Zubehör

| Artikel | CR38 (16 cm) | CR48 (20 cm) | CR48/DF | Einsatz |
|---|--------------|--------------|--------------|---------------------------|
| Polypropylen-Bürste (gelb) | 11-1604-0500 | 11-2004-0500 | - | Mittleres Scheuern |
| Nylon-Bürste (weiß) | 11-1605-0500 | 11-2005-0500 | - | Normales Scheuern |
| Shampoo-Bürste (weiß) | 11-1607-0500 | 11-2007-0500 | - | |
| Treibteller | 11-1662-0500 | 11-2062-0500 | - | |
| Faser (biskuit) | - | 11-2001-0500 | - | Allgemeines Scheuern |
| Polypropylen-Bürste (gelb) | - | 11-2003-0500 | - | Leichtes Scheuern |
| Bronze-/Polypropylen-Mix-Bürste (weiß/bronze) | - | 11-2013-0500 | - | Grobes Scheuern |
| Tynex-Bürste (grau) | - | 11-2016-0500 | - | Extra schweres Scheuern |
| Velcro-Treibteller | - | 11-2060-0500 | - | |
| Welldraht | - | - | 11-2041-0500 | Riffelblech-Reinigung |
| Stahldraht 18G | - | - | 11-2043-0500 | Betonbearbeitung |
| Bronzedraht 18G | - | - | 11-2045-0500 | Funkenfreie Entschichtung |
| Stahldraht 3 x 16G | - | - | 11-2049-0500 | Allgemeine Entschichtung |
| Stahldraht 3 x 14G | - | - | 11-2051-0500 | Schwere Entschichtung |
| Velcro-Antriebsscheibe | - | - | 05-4346-0000 | Für Diamantwerkzeuge |

HINWEIS - Die Bürsten werden in Dreiersets geliefert.

10. Fehlerbehebung

Die folgenden einfachen Kontrollen können vom Benutzer durchgeführt werden:

| Problem | Grund | Abhilfe |
|---|---|--|
| Motor funktioniert nicht | <ul style="list-style-type: none"> • Es wird kein Strom zugeführt • Sicherheitsschutzschalter defekt | <ul style="list-style-type: none"> • Überprüfen Sie die Sicherung*, das Stromkabel, den Stecker, die Steckdose und den Lastschalter. |
| Maschine setzt während des Betriebs aus | <ul style="list-style-type: none"> • Beschädigte Bürsten/Scheiben | <ul style="list-style-type: none"> • Tauschen Sie die Bürsten/Scheiben aus |
| Motor läuft, aber die Bürsten rotieren nicht | <ul style="list-style-type: none"> • Der Antriebsriemen ist locker oder kaputt | <ul style="list-style-type: none"> • Nehmen Sie den drehbaren Staubschutz ab und bauen Sie einen neuen Antriebsriemen ein oder wenden Sie sich an einen Kundendienstmitarbeiter |
| Maschine vibriert | <ul style="list-style-type: none"> • Beschädigte oder verschmutzte Bürsten/Scheiben • Ungleichmäßige Dicke der Bürsten/Scheiben | <ul style="list-style-type: none"> • Tauschen Sie die Bürsten/Scheiben aus oder reinigen Sie sie • Ersetzen Sie sie durch 3 Bürsten/Scheiben mit gleicher Dicke |
| Reinigungslauge fließt nicht | <ul style="list-style-type: none"> • Im Tank befindet sich Schmutz, der Ausgang ist verstopft • Das Laugenventil ist nicht geöffnet | <ul style="list-style-type: none"> • Spülen Sie den Laugentank mit klarem Wasser aus • Prüfen Sie, ob alle Ventile geöffnet sind |

* Wenn die Sicherung mehrmals durchbrennt, muss die Maschine von einem autorisierten Wartungstechniker überprüft werden.

AVERTISSEMENT – LISEZ ATTENTIVEMENT CETTE NOTICE AVANT D'UTILISER LA MACHINE ET CONSERVEZ-LA POUR VOUS Y RÉFÉRER ULTÉRIEUREMENT

CIMEX CYCLONE

Le manuel suivant contient des informations importantes sur les machines et des avis de sécurité pour l'opérateur.



AVERTISSEMENT



Symbole de mise à la terre



Appareils électriques et électroniques usagés

Cet appareil ne doit pas être mis au rebut avec des déchets non triés. Une mise au rebut inadéquate peut être nocive pour l'environnement et l'homme. Veuillez vous adresser au service public chargé de la gestion des déchets pour de plus amples informations sur les systèmes

locaux de mise au rebut et de collecte des déchets.

DÉCLARATION DE CONFORMITÉ CE

Type de machine : Triple brosse

Type : Cimex Cyclone

Modèle : CR38..., CRS38..., CR48..., CR48/DF...

Cette machine est conforme aux directives de l'Union européenne suivantes :

2006/42/EC **Directive sur les machines**

2004/108/EC **Directive CME**

Normes harmonisées appliquées EN60335-1, EN60335-2-67, EN55014-1, EN55014-2, EN610003-2, EN610003-3, EN62233

CE *M. Eneas*

Malcolm Eneas

Directeur d'exploitation

Truvox International
Unit C (East) Hamilton
Business Park, Manaton
Way, Botley Road, Hedge
End, Southampton,
SO30 2JR, Angleterre

Southampton, 30/04/2004

SPÉCIFICATIONS TECHNIQUES

| Modèle | | Cyclone 38 | Cyclone 38 | Cyclone 48 | Meuleuse Diamant 48 |
|--|--------------------|---------------|------------|---------------|---------------------|
| Code produit | | CR38 | CR38 | CR48 | CR48DF |
| Tension CA (~)/Fréquence | V/ Hz | 230/ 50 | | | - |
| Puissance moteur | W | 370 | | 550 | - |
| Puissance moteur (monophasé/tri-phasé) | W | - | | | 1500/- |
| Capacité du réservoir de solution | l | 25 | | | - |
| Largeur de travail | cm | 38 | | 48 | - |
| Vitesse du tampon/de la brosse | tr/ min | 620 | 400 | | 880 |
| Pression du tampon/de la brosse | g/ cm ² | 45 | | 38 | - |
| Diamètre du tampon/de la brosse | cm | 16,5 | | 20 | 48 |
| Productivité | m ² /h | - | | | 600 |
| Productivité -- Brossage | m ² /h | 1140 | - | 1140 | - |
| Productivité - Polissage | m ² /h | 1710 | - | 2160 | - |
| Productivité – Nettoyage par pulvérisation | m ² /h | 850 | - | 1080 | - |
| Productivité - Shampooinage | m ² /h | - | 1140 | | - |
| Niveau de pression sonore | dB (A) | 60 | | | - |
| Dimensions (L x l x H) | cm | 74 x 40 x 112 | | 80 x 50 x 112 | - |
| Poids | kg | 38 | | 47 | 60 |
| Lests | kg | - | | | 17 |
| Nombre d'unités fournies | | - | | | 2 |
| Longueur du câble d'alimentation | m | 15 | | | |
| Garantie | | 1 an | | | |

- La machine appartient à la classe de construction I. Gaine pour IPX4. Modèles – 110 V et 230 V – 50 Hz. Fourni avec 15 m de câble d'alimentation de type H05VV-F 3 x 1,0 mm² (10 A), et une fiche.
- Les niveaux sonores sont mesurés à une distance d'1 mètre par rapport à la machine et de 1,6 mètres au-dessus du sol pendant le frottement d'un revêtement dur. Les mesures sont enregistrées par un appareil portable.
- La vibration du manche ne dépasse pas 2,5 m/s², lors de l'utilisation de brosses ou de tampons, quelle que soit la surface. Les mesures sont enregistrées par un laboratoire d'essai indépendant.
- Toutes les machines sont fournies avec deux lests de 17 kg.

Pour toute demande de renseignement, veuillez vous adresser au fournisseur auprès duquel vous avez acheté votre machine ou à Truvox International.

Truvox International Limited

Unit C (East) Hamilton Business Park, Manaton Way, Botley Road, Hedge End, Southampton, SO30 2JR, Royaume-Uni ;
Tél. : +44 (0) 23 8070 6600 ; Fax : +44 (0) 23 8070 5001 ; Email : sales@truvox.com ; Web : www.truvox.com

Veillez vous reporter aux illustrations de la machine à la page 1

- | | |
|---|---|
| 1 Levier du contacteur du moteur Soulevez le levier pour démarrer le moteur et lancer les têtes rotatives. Abaissez le levier pour couper le moteur et arrêter les têtes. Chaque fois que vous appuyez sur le levier, la direction de rotation de la tête est inversée, ce qui améliore la qualité du nettoyage et | 5 Broches |
| 2 prolonge la durée de vie du disque/tampon. | 6 d'entraînement |
| Levier d'alimentation de la solution Actionne la valve de débit du réservoir de solution (si installée). | 7 Têtes rotatives |
| 3 • Tirez sur le levier pour | Levier de réglage du manche En position verticale, soulevez le levier de réglage du manche vers l'arrière jusqu'à l'obtention d'une hauteur confortable, puis enfoncez le levier pour verrouiller le |
| 4 verser la solution. | 8 manche. |
| • Relâchez le levier pour arrêter le débit. | Crochets de câble Maintiennent le câble d'alimentation en place sur le manche quand la |
| Manche | 9 machine n'est pas utilisée. |
| Barre de serrage | Plateaux d'entraînement Point de fixation des brosses ou d'entraînement des |
| | 10 disques et tampons |
| | Capot anti-poussière rotatif |

1. Informations sur le produit

Grâce à leur grande stabilité et leur excellente action nettoyante, les machines de nettoyage des sols à trois brosses sont particulièrement adaptées au polissage du marbre, du granit, du terrazzo et autres sols en pierre. Les machines Cimex Cyclone ne doivent pas être utilisées en extérieur. Cette machine est prévue pour une utilisation commerciale, par exemple dans des hôtels, des écoles, des hôpitaux, des usines, des boutiques, des bureaux, des entreprises de location ainsi que pour les utilisations plus intensives qu'un ménage classique.

La notice suivante contient des informations importantes sur les machines et des avis de sécurité pour l'opérateur. Cette notice est valable pour les modèles suivants :

Cimex Cyclone CR38..., CRS38..., CR48..., Meuleuse diamant Cimex CR48/DF...

L'équipement doit être utilisé et entretenu conformément aux instructions du fabricant. En cas de doute, contactez votre fournisseur.

1.1 Avis important de sécurité

L'usage de cette machine nécessite l'application de mesures de sécurité essentielles :



- Cette machine doit uniquement être utilisée pour l'application approuvée par le fabricant et décrite dans ce manuel.
- Veuillez noter que les informations de sécurité décrites dans ce manuel complètent, mais ne remplacent pas, les

normes applicables dans le pays où la machine est utilisée.

- **AVERTISSEMENT** - utilisez uniquement les accessoires et pièces détachés fournis avec la machine ou ceux approuvés par le fabricant. L'utilisation de pièces détachées ou d'accessoires autres peut altérer la sécurité de la machine.
- **ATTENTION** - Cette machine est réservée à une utilisation en intérieur dans un environnement sec et ne peut être utilisée ou stockée en extérieur dans des conditions humides.
- Toutes les pièces doivent être positionnées conformément aux instructions avant utilisation de la machine.
- La machine doit être déballée et montée conformément à ces instructions avant d'être branchée sur une prise électrique.
- **N'UTILISEZ PAS** la machine en présence de poussières dangereuses.
- **N'UTILISEZ PAS** la machine dans une atmosphère explosive.
- **N'UTILISEZ PAS** la machine à proximité de liquides, de poussières ou de vapeurs inflammables.
- **N'UTILISEZ PAS** la machine pour nettoyer un matériau incandescent ou allumé, tel que des cigarettes, des allumettes, des cendres ou d'autres objets combustibles.
- Veillez à ce que la machine ne bascule pas si vous l'utilisez à proximité d'escaliers.
- Utilisez la machine sur des surfaces planes et stables uniquement. **N'UTILISEZ PAS** la machine sur une pente dont l'inclinaison est supérieure à 2 %.
- **AVERTISSEMENT** - Ne remplissez pas la machine avec de l'eau à plus de 50° C.
- **N'UTILISEZ PAS** de diesel/d'essence ou de détergents corrosifs pour nettoyer les sols.
- **NE CHERCHEZ PAS** à laver ou à aspirer des liquides corrosifs, inflammables et/ou explosifs, même s'ils sont dilués.
- **N'INSEREZ AUCUN** objet dans les ouvertures. **N'UTILISEZ PAS** la machine si l'une des ouvertures est obstruée. Maintenez-la à l'abri de la poussière, de débris et tout autre élément pouvant freiner le débit d'air.
- **NE COUVREZ PAS** la machine lorsqu'elle est en cours d'utilisation.
- **NE LAISSEZ PAS** la machine branchée sur une alimentation électrique lorsque vous ne l'utilisez pas. Débranchez toujours la fiche de la prise de courant.
- **NE LAISSEZ PAS** la machine en marche sans surveillance.
- Cette machine doit toujours être connectée à une alimentation de tension et de fréquence adaptées avec mise à la terre.
- La machine doit être débranchée de sa source d'alimentation au cours des opérations de nettoyage ou de maintenance, ainsi que lors du remplacement de pièces et d'accessoires.
- **N'UTILISEZ PAS** la machine si elle est détériorée, si vous l'avez laissée à l'extérieur ou si elle a trempé dans de l'eau.
- **NE MANIPULEZ PAS** les sélecteurs ou la prise d'alimentation avec les mains mouillées sous peine de vous exposer à un risque de choc électrique.
- **AVERTISSEMENT** - Tenez le fil électrique à l'écart de toutes pièces en mouvement (et/ou des brosses en rotation). Lorsque la machine est en fonction, il est dangereux de faire passer la machine sur le cordon d'alimentation.

- **NE FAITES PAS** fonctionner la machine avec un fil ou une prise en mauvais état, si elle présente un dysfonctionnement ou si elle est endommagée. Contactez un agent autorisé pour réparer ou régler la machine.
- **N'UTILISEZ PAS** le fil électrique pour débrancher la prise ou porter la machine. **N'UTILISEZ PAS** le fil comme poignée, ne le laissez pas coincé dans une porte et ne l'enroulez pas autour d'angles ou de rebords tranchants.
- La fiche doit être enlevée de la prise avant d'entreprendre des opérations de nettoyage ou d'entretien de la machine.
- Le cordon d'alimentation ne doit pas être tordu ni pincé, et tenu à l'écart de surfaces chaudes.
- Tirez sur la fiche et non sur le câble d'alimentation pour débrancher l'appareil du secteur.
- Le cordon d'alimentation doit être régulièrement contrôlé pour détecter tout dommage. Si le cordon d'alimentation est endommagé, il doit être remplacé par le fabricant, un agent agréé ou une personne qualifiée afin d'éviter tout risque.

1.2 Consignes à l'usage de l'opérateur

- Cette machine n'est pas destinée à une utilisation par des enfants, des personnes atteintes d'un handicap physique, sensoriel ou mental, ou encore manquant d'expérience ou de connaissances, sauf si elles sont supervisées ou ont reçu des instructions sur l'utilisation de la machine par une personne qui se porte garante de leur sécurité.
- Les opérateurs doivent être bien formés à l'utilisation de la machine conformément à la présente notice, être capables d'entreprendre les opérations d'entretien et de choisir les accessoires adéquats.
- Les opérateurs doivent être physiquement capables de manœuvrer, de transporter et de faire fonctionner les machines.
- Les opérateurs doivent être capables de reconnaître un dysfonctionnement de la machine et de signaler tout problème.
- Maintenez les enfants et les personnes non autorisées loin de la machine lorsque vous l'utilisez.
- Les solutions de nettoyage ne doivent jamais être à portée des enfants et des animaux.
- **ATTENTION** - Cette machine est réservée à une utilisation en intérieur dans un environnement sec et ne peut être utilisée ou stockée en extérieur dans des conditions humides.
- **Ne nettoyez pas** la machine à l'aide de vaporisateurs ou de jets.
- Les cheveux, les vêtements amples, les mains, les pieds et autres parties du corps doivent être maintenus à l'écart des ouvertures et des pièces en mouvement.
- Maintenez la machine propre et en bon état de marche.
- Laissez la machine travailler, sans forcer. Tenez le manche aussi légèrement que possible.
- Restez debout les pieds légèrement écartés pour garder l'équilibre. Évitez de vous tourner de plus de 45 degrés.
- Portez des chaussures appropriées pour éviter de glisser.
- Portez des vêtements appropriés pour rester sec et éviter de vous refroidir.
- Quand cela est possible, instaurez un roulement des postes et prévoyez des périodes de repos pour ne pas toujours solliciter les mêmes muscles.
- **Ne fumez pas** lors de l'utilisation de la machine.

1.3 Transport de la machine

ATTENTION - CETTE MACHINE EST LOURDE

N'essayez pas de lever la machine sans aide. Une méthode de levage incorrecte peut provoquer des blessures corporelles. Il est conseillé de respecter les réglementations relatives à la manutention. Veuillez vous reporter au tableau technique pour de plus amples informations sur le poids de la machine. **ATTENTION** – lorsque vous soulevez la machine, la tête de la brosse peut basculer librement vers l'arrière. Veillez donc à bien tenir les doigts à l'écart des bras latéraux du châssis. Lors du transport de la machine, le manche doit être verrouillé et la machine basculée sur ses roues arrière. Ne soulevez pas et ne transportez pas la machine si celle-ci contient des liquides, qui viennent considérablement alourdir son poids. Lors du transport de la machine, vérifiez que tous ses composants, réservoirs et pièces amovibles sont bien fixés. Redoublez de vigilance pour déplacer la machine dans des escaliers. **ATTENTION** – le fait de trébucher sur un seuil, un trottoir ou un obstacle peut endommager la machine. Pour surmonter les petits obstacles, tirez la machine en arrière.

2. Préparation à l'emploi

2.1 Branchement électrique

Avant de brancher la machine au courant électrique, vérifiez que la tension correspond à celle indiquée sur la plaque signalétique apposée sur la machine.

Uniquement pour la GB

Le câble d'alimentation des modèles 230 V est équipé d'une fiche avec un fusible de 13 amp. Si le fusible doit être remplacé, utilisez uniquement un fusible de 13 amp. conforme à la norme BS1362, et remettez en place le couvercle du fusible. Si vous perdez le couvercle du fusible, n'utilisez pas la prise avant d'avoir remis en place un couvercle de rechange.

Si vous utilisez une rallonge, vérifiez que ses caractéristiques nominales sont adaptées à l'équipement. N'utilisez pas la rallonge sans la dérouler pour éviter toute surchauffe. La longueur totale du câble d'alimentation et d'éventuelles rallonges ne doit pas excéder 30 m. Le diamètre de toute rallonge de câble électrique doit être au moins de 2,5 mm².

AVERTISSEMENT – CET APPAREIL DOIT IMPÉRATIVEMENT ÊTRE MIS À LA TERRE.

2.2 Installation des brosses et des tampons

- **AVERTISSEMENT** – Cet appareil a été conçu pour être utilisé avec les brosses spécifiées par le fabricant. L'utilisation d'autres brosses peut nuire à la sécurité.
- Assurez-vous toujours que la machine est débranchée avant de poser ou d'enlever des pièces.
- Inclinez la tête de la brosse en arrière vers le manche et poussez 3 brosses, disques ou tampons du même type sur les quatre broches d'entraînement (5) sur chacune des têtes rotatives (6).
- Reposez la tête de la brosse sur le sol.
- Retirez les brosses en les faisant glisser sur les broches d'entraînement.
- **IMPORTANT** – Ne laissez jamais la tête de la brosse reposer sur les broches d'entraînement et inclinez toujours la tête de la brosse en arrière lorsque la machine n'est pas utilisée.

- Les brosses et tampons doivent toujours être utilisés par groupes de trois afin de garantir leur usure égale et d'éviter les vibrations.

2.3 Installation des disques d'entraînement

- **AVERTISSEMENT** – Cet appareil a été conçu pour être utilisé avec les disques d'entraînement spécifiés par le fabricant. L'utilisation d'autres types de disques d'entraînement peut nuire à la sécurité.
- Assurez-vous toujours que la machine est débranchée avant d'installer ou de démonter des pièces. Inclinez la tête de la brosse en arrière vers le manche et poussez 3 disques d'entraînement du même type sur les quatre broches d'entraînement de chacune des têtes rotatives (6).
- Installez les disques diamant sur les disques d'entraînement. Le diamètre extérieur des disques doit correspondre au diamètre extérieur du disque d'entraînement.
- Reposez la tête de la brosse sur le sol.
- Retirez les brosses en les faisant glisser sur les broches d'entraînement.
- **IMPORTANT** – Ne laissez jamais la tête de la brosse reposer sur les broches d'entraînement et inclinez toujours la tête de la brosse en arrière lorsque la machine n'est pas utilisée.
- Les disques diamants doivent toujours être utilisés par groupes de trois afin de garantir leur usure égale et d'éviter les vibrations.

2.4 Ajustement de la hauteur du manche

Sélectionnez la hauteur de manche la plus commode en utilisant le levier de réglage et bloquez la position.

2.5 Remplissage du réservoir de solution

- Remplissez le réservoir de solution d'eau propre ou d'eau mélangée à un produit chimique adapté, dilué conformément aux recommandations du fabricant.
- **IMPORTANT** – Utilisez uniquement des agents de nettoyage recommandés pour les machines automatiques (moussant peu) et suivez les directives d'utilisation, de manipulation, les indications de mise au rebut, sanitaires et de sécurité du fabricant.
- **IMPORTANT** – l'eau ou la solution doivent être propres, puisque la présence de poudre ou de poussière peut obstruer les voies d'eau.
- Le réservoir a une capacité de 25 litres. Ne remplissez pas trop le réservoir pour éviter les débordements pendant l'utilisation de la machine.

3. Commandes

Les commandes de fonctionnement sont placées sur le manche (1). Reportez-vous à la page 1.

4. Fonctionnement

4.1 Démarrage de la machine

- Déroulez complètement le cordon d'alimentation du manche et branchez le dans la prise appropriée.
- Ajustez le manche à une hauteur confortable pour travailler. Posez les deux mains sur le manche et soulevez le levier marche/arrêt pour DÉMARRER la machine. Relâchez le levier pour ARRÊTER la machine.

- **AVERTISSEMENT** – ne démarrez jamais la machine si les disques d'entraînement et les disques ne sont pas installés.
- En temps normal, la machine se déplace vers l'avant et l'arrière.
- Déplacez-vous toujours dans la direction opposée à la prise pour éviter de rouler sur le câble d'alimentation.

4.2 Traitement du sol

- Nous recommandons de protéger la zone environnante avec une bâche en plastique, collée sur les côtés avec du ruban adhésif.
- Une fois la zone environnante protégée, le traitement du sol peut commencer.
- Vérifiez que le réservoir de solution est plein et utilisez des disques gros grain pour un sol très éraflé, ou des disques plus fins pour un sol moins endommagé.
- Ouvrez le robinet de solution sous le réservoir et démarrez la machine. Commencez en vous écartant du rebord de la zone à traiter ou du ruban d'une distance au moins équivalente au diamètre de la tête.
- Déplacez-vous à vitesse moyenne sur le rebord du sol, en maintenant la tête de la machine sur le rebord du ruban. Les disques passeront au-dessus du ruban si vous passez accidentellement au-dessus.
- Versez suffisamment de solution pour que le sol reste mouillé tant que la machine est utilisée. Lorsque vous atteignez un mur ou le bout du cordon d'alimentation, revenez en arrière en parcourant la même trajectoire.
- Chaque zone du sol doit être couverte au moins deux fois à pas lents. Certains sols nécessitent des passes supplémentaires pour un traitement parfait.
- Lorsque vous revenez au point de départ, positionnez la machine de manière à traiter une autre trajectoire, parallèle à la première, qu'elle chevauche sur 50 mm.
- Une fois tout le sol traité, utilisez un aspirateur à eau avec ventouse pour éliminer l'eau et les résidus de pierre sur le sol.
- Répétez ce processus en utilisant des disques de plus en plus fins.
- Sur les zones trop étroites pour utiliser la machine, il est nécessaire d'utiliser une ponçeuse manuelle équipée d'un seul disque abrasif.
- Aspirez tout le reste de solution pour sécher rapidement le sol.
- **REMARQUE** – Si le sol présente des irrégularités, passez l'aspirateur après chaque passage de la machine. Les irrégularités détériorent les disques abrasifs. Les fragments doivent être ramassés pour éviter les éraflures sur la surface du sol. Passez l'aspirateur chaque fois que la pâte devient trop épaisse.
- Une fois le sol sec, retirez la bâche de protection en plastique ainsi que le ruban.
- Si le tapis ou un tissu est mouillé par de l'eau et présente des résidus sur sa surface, rincez-le à l'eau propre et passez l'aspirateur. Ce processus devra peut-être être répété plusieurs fois pour éliminer tous les résidus.
- Lorsque les résidus en surface ont séché sur une surface dure, passez un chiffon sec et propre pour les éliminer rapidement.
- Après le nettoyage, passez une serpillière humide deux fois pour éliminer les résidus en surface. Le sol apparaîtra ensuite terne et trouble.
- La procédure de polissage doit être exécutée après une période de séchage de vingt-quatre heures. Sur les

surfaces plus petites, le sol peut être séché mécaniquement. Pour le polissage, les disques d'entraînement doivent être remplacés par l'accessoire Instalok équipé de tampons adaptés. N'utilisez pas de tampons à polir rouillés ou décolorés.

- Ne laissez pas la machine immobile pendant le polissage, sous peine de laisser des marques sur le sol, forçant à recommencer toute la procédure.
- Le polish doit être appliqué au pulvérisateur, juste devant la machine, au fur et à mesure que vous avancez. Ne laissez pas de polish mouillé sur le sol. Passez immédiatement la machine pour éviter l'apparition de taches.
- Pendant le traitement, le technicien doit régulièrement vérifier l'absence d'usure et de détérioration des tampons.
- Une analyse préalable permettra de déterminer le grain du disque à utiliser au début du processus. On commence généralement par des disques à gros grain, sauf en cas d'irrégularités majeures ou lorsque le sol est très peu abîmé.
- Pour éliminer les irrégularités, vous pouvez lester la machine.
- L'opérateur doit examiner la surface du sol après utilisation de chaque grain pour vérifier si les traces d'usure et éraflures sont correctement éliminées.

4.3 À la fin du traitement

- Une fois le traitement terminé, débranchez la machine du secteur, retirez les lests, soulevez la tête de la brosse et retirez les disques d'entraînement ainsi que les disques ou tampons abrasifs. Essuyez la machine à l'aide d'un chiffon humide.
- Retirez les disques de finition ainsi que les tampons de polissage et nettoyez-les.
- Videz le réservoir de solution en retirant le tuyau d'alimentation sur la tête de la brosse et en dirigeant le tuyau vers une évacuation adaptée.
- **IMPORTANT** – Jetez la solution de nettoyage non utilisée conformément aux instructions du fabricant et aux réglementations locales.
- Rincez le réservoir de solution à l'eau propre.

4.4 Brossage et décapage

- Fixez des brosses ou disques d'entraînement ainsi qu'un tampon adaptés à la surface à nettoyer.
- Remplissez le réservoir de solution d'eau propre et d'une dose appropriée de détergent.
- Avant de commencer, la machine relâche une certaine quantité d'agent nettoyant du réservoir sur le sol. Le débit de la solution du réservoir est contrôlé par le mouvement du levier gauche. En le relâchant, vous arrêtez le débit.
- Pour faire marcher normalement la machine, versez l'agent nettoyant de temps en temps selon vos besoins.
- Ne laissez pas l'eau sale s'accumuler sur le sol ; enlevez-la pour éviter le dépôt de saleté. Nous vous suggérons d'utiliser un aspirateur eau et poussière à cette fin.
- Lorsque vous avez fini le brossage / décapage, débranchez la machine du courant, videz le réservoir de solution avant de nettoyer et de sécher la machine.
- **IMPORTANT** – Jetez la solution de nettoyage non utilisée conformément aux instructions du fabricant et aux réglementations locales.

4.5 Vaporisation par bonnet

- Remplissez le réservoir d'eau tiède.

- Ajoutez le nettoyant pour vaporisateur par bonnet (D80) dans les proportions indiquées.
- Faites tourner la tête de la machine à la verticale
- Placez la brosse et 2 disques d'entraînement
- Placez des bonnets propres sur les disques d'entraînement.
- Faites tourner la tête à l'horizontale en veillant à ce que les bonnets restent en place.
- Commencez le nettoyage en :
 - mettant la machine en marche
 - mettant la pompe en marche - notez que l'interrupteur possède deux positions : impulsions momentanées et vaporisation continue.
 - Avancez en vaporisant légèrement le tapis, en évitant de le tremper.
 - Vérifiez régulièrement les bonnets et remplacez-les quand ils sont sales.

4.6 Polissage et ponçage

- Fixez des disques d'entraînement et des tampons adaptés à la surface à polir.
- Vérifiez que le sol est propre et sec.
- Avancez doucement derrière la machine, en assurant un chevauchement entre chaque passe pour garantir une finition régulière.
- Ne laissez pas la machine tourner sur une tache plus de 10-15 secondes, cela pourrait provoquer une surchauffe et détériorer la surface du sol.
- Si la machine se met à vibrer ou résiste à l'action de ponçage sur le sol, vérifiez que les tampons sont propres. Lorsqu'il est sale sur un côté, le tampon peut être inversé.

4.7 Nettoyage de tapis Cimex-Encap

- **IMPORTANT** - Le modèle CR38 (620 tr/min) n'est pas adapté à une utilisation sur des tapis.
- Installez des dispositifs d'entraînement pour tampons et des tampons ou des brosses à shampooiner.
- Remplissez le réservoir de solution d'eau propre et d'une dose appropriée de solution Cimex-Encap Low Moisture.
- **ATTENTION** - Avant le nettoyage, testez la solution de shampooinage sur une petite zone du tapis pour vérifier l'absence de décoloration.
- Avec la machine en marche, appliquez la solution sur le tapis jusqu'à obtention d'une fine mousse blanche. Ne mouillez pas trop le tapis.
- Le tapis sera sec au toucher au bout d'une heure environ mais il est préférable de laisser passer une nuit pour un séchage parfait.
- Une fois scellée dans la solution, la saleté est éliminée par simple aspiration.

4.8 Une fois le nettoyage terminé

- Une fois le nettoyage terminé, débranchez la machine du secteur, soulevez la tête de brosse et retirez les brosses ou tampons puis essuyez la machine à l'aide d'un chiffon humide.
- Lavez les brosses et les tampons dans de l'eau savonneuse tiède, rincez-les et laissez-les sécher à l'air libre.
- Videz le réservoir de solution en retirant le tuyau d'alimentation sur la tête de la brosse et en dirigeant le tuyau vers une évacuation adaptée.
- **IMPORTANT** – Jetez la solution de nettoyage non utilisée conformément aux instructions du fabricant et aux réglementations locales.

- Rincez le réservoir de solution à l'eau propre.

5. Stockage

- Après utilisation, essuyez toujours la machine, laissez-la sécher et démontez les disques d'entraînement, les tampons ou les brosses pour les nettoyer. Nettoyez le capot anti-poussière rotatif (10) et vérifiez l'état des joints de brosse (9). Les joints doivent être nettoyés régulièrement pour conserver leur efficacité.
- Le réservoir de solution doit être vidé et rincé à l'eau propre.
- La machine doit être stockée avec le manche en position soulevée et la tête de brosse inclinée vers l'arrière. Ne laissez jamais la tête de la brosse reposer sur les broches d'entraînement.
- Enroulez le cordon d'alimentation autour du manche et de l'enrouleur sans laisser traîner la fiche sur le sol.
- Gardez la machine dans un endroit sec.

6. Maintenance

AVERTISSEMENT – Avant d'entreprendre des opérations d'entretien ou de réglage, éteignez la machine et débranchez-la du secteur.

IMPORTANT - Toutes les autres opérations de maintenance et les réparations doivent uniquement être entreprises par un ingénieur Truvox ou un agent d'entretien agréé.

IMPORTANT - En cas de défaillance de la machine, veuillez vous reporter à la section diagnostic des pannes au dos de ce manuel d'instruction. Si le problème et sa solution ne sont pas répertoriés, veuillez contacter le service client Truvox qui répondra rapidement à vos questions.

La machine requiert un entretien minimum à l'exception des vérifications suivantes qui doivent être entreprises par l'opérateur avant toute utilisation :

- Cordon d'alimentation – vérifiez régulièrement que la gaine, la fiche et le raccord du fil ne sont pas endommagés ou dénudés. Le cordon d'alimentation doit être remplacé uniquement par un cordon du même type que celui spécifié dans ces instructions.
- Réservoir de solution – Vérifiez le débit de l'eau. S'il est faible, recherchez d'éventuelles obstructions dans les conduites et tuyaux. Démontez la vanne de régulation pour la nettoyer au besoin.
- Disques d'entraînement, tampons et brosses - Vérifiez leur usure et remplacez les brosses usées. Nettoyez-les à l'eau courante.

7. Service après vente

Les machines Truvox sont de haute qualité et leur sécurité a été testée par des techniciens agréés. Il est évident qu'après de longues périodes de travail, les composants électriques et mécaniques montrent des signes d'usure ou de vieillissement. Afin de préserver la sécurité et la fiabilité de la machine, l'intervalle suivant de service a été défini : Tous les ans ou au bout de 250 heures. Dans des conditions extrêmes ou spéciales et/ou d'entretien insuffisant, des intervalles d'entretien plus courts sont nécessaires. N'utilisez que des pièces de rechange originales Truvox. L'utilisation d'autres pièces de rechange annulerait toute garantie ainsi que d'éventuels recours en garantie. Pour toute demande de service après-vente, veuillez vous adresser au fournisseur auprès duquel vous avez acheté votre machine, qui se chargera de l'organisation. Les réparations et l'entretien des produits Truvox doivent uniquement être entrepris par un

personnel qualifié. Des réparations incorrectes peuvent être dangereuses pour l'utilisateur.

8. Garantie

Votre produit est garanti pendant un an à compter de la date d'achat, ou de location-bail, contre les défauts des matériaux ou de main-d'œuvre pendant sa fabrication. Durant la période de garantie nous nous chargeons de réparer ou de remplacer à nos frais, toute pièce défectueuse, sous réserve des conditions suivantes.

CONDITIONS

1. Les réclamations faites selon les termes de la garantie doivent être accompagnées de la facture /du contrat de vente original(e), ou du numéro de série de la machine.
2. Pour toute réclamation en garantie, contactez le fournisseur auprès duquel vous avez acheté la machine, qui vous indiquera la procédure à suivre. Ne renvoyez pas le produit ; il risquerait d'être endommagé au cours du transport.
3. Ni Truvox ni ses distributeurs ne sont responsables de dommages accidentels ou résultant de l'utilisation de la machine.
4. La garantie est régie par les lois anglaises.
5. Cette garantie ne couvre pas :
 - l'entretien régulier et les réparations ou le remplacement de pièces usées ;
 - les dommages causés par un accident, une utilisation abusive ou une négligence, ou l'utilisation de pièces autres que les pièces Truvox d'origine ;
 - les défauts présentés par les pièces autres les pièces Truvox d'origine, ou les réparations, modifications ou réglages réalisés par une personne autre que l'ingénieur service de Truvox ou un agent de service autorisé ;
 - les coûts et risques de transport en rapport direct ou non avec la garantie de ce produit ;
 - les consommables tels que les brosses, disques d'entraînement, filtres et collerettes de mise sous vide.
 - Cette garantie n'affecte pas vos droits légaux, ni vos droits opposables au fournisseur découlant de la vente ou du contrat d'achat. Truvox International Limited s'impose une stratégie de développement continu de ses produits et se réserve le droit de modifier les spécifications des produits sans avis préalable.

9. Accessoires

| Élément | CR38 (16 cm) | CR38 (20 cm) | CR48/DF | Usage |
|--|--------------|--------------|--------------|------------------------------|
| Brosse en polypropylène (jaune) | 11-1604-0500 | 11-2004-0500 | - | Brossage moyen |
| Brosse en nylon (blanche) | 11-1605-0500 | 11-2005-0500 | - | Brossage standard |
| Brosses à shampooiner (blanches) | 11-1607-0500 | 11-2007-0500 | - | |
| Disque d'entraînement | 11-1662-0500 | 11-2062-0500 | - | |
| Fibre (biscuit) | - | 11-2001-0500 | - | Brossage à usage général |
| Brosse en polypropylène (jaune) | - | 11-2003-0500 | - | Brossage léger |
| Brosse en mélange de bronze et de polypropylène (blanche/bronze) | - | 11-2013-0500 | - | Brossage abrasif |
| Brosse en tynex (grise) | - | 11-2016-0500 | - | Brossage intensif |
| Disque d'entraînement à velcro | - | 11-2060-0500 | - | |
| Fil ondulé | - | - | 11-2041-0500 | Nettoyage de tôle striée |
| Fil en acier 18 G | - | - | 11-2043-0500 | Finition du béton |
| Fil de bronze 18 G | - | - | 11-2045-0500 | Scarification anti-étincelle |
| Fil en acier 3 x 16 G | - | - | 11-2049-0500 | Scarification générale |
| Fil en acier 3 x 14 G | - | - | 11-2051-0500 | Scarification intensive |
| Disque d'entraînement à velcro | - | - | 05-4346-0000 | Pour les outils diamant |

REMARQUE - Les brosses sont vendues par 3.

10. Diagnostic de défaillance

Les vérifications suivantes sont simples et peuvent être réalisées par l'opérateur.

| Panne | Origine | Solution |
|---|--|--|
| Le moteur ne fonctionne pas | <ul style="list-style-type: none"> • Pas de tension/courant électrique. • Disjoncteur défaillant | <ul style="list-style-type: none"> • Vérifiez le fusible*, le câble d'alimentation, la prise, la prise secteur et le disjoncteur |
| La machine cale | <ul style="list-style-type: none"> • Brosses/tampons endommagés | <ul style="list-style-type: none"> • Remplacez les brosses/tampons |
| Le moteur tourne, mais les brosses ne tournent pas | <ul style="list-style-type: none"> • Courroie d'entraînement lâche ou cassée | <ul style="list-style-type: none"> • Retirez le capot anti-poussière rotatif et installez une nouvelle courroie d'entraînement ou appelez un agent de maintenance |
| La machine vibre | <ul style="list-style-type: none"> • Brosses/tampons endommagés ou sales • Épaisseur inégale des brosses / tampons | <ul style="list-style-type: none"> • Remplacez ou nettoyez les brosses/tampons • Remplacez-les par 3 brosses / tampons d'épaisseur égale |
| La solution de nettoyage ne s'écoule pas | <ul style="list-style-type: none"> • Présence de saleté dans le réservoir, sortie bloquée • Robinet fermé | <ul style="list-style-type: none"> • Rincez le réservoir à l'eau claire • Vérifiez que tous les robinets sont ouverts |

* Si les fusibles sautent plusieurs fois, la machine doit être vérifiée par un agent autorisé.

ADVERTENCIA - LEA ESTAS INSTRUCCIONES ANTES DE UTILIZAR LA MÁQUINA Y GUÁRDENLAS COMO REFERENCIA PARA EL FUTURO

CIMEX CYCLONE

El siguiente manual contiene información importante sobre la máquina y consejos de seguridad para el operario.



ADVERTENCIA



Símbolo de conexión a tierra



Residuos de aparatos eléctricos y electrónicos (RAEES)

No deseche este aparato con residuos sin clasificar. La eliminación incorrecta puede ser nociva para el medio ambiente y para la salud humana. Para más información sobre los sistemas de recogida y devolución en su área, consulte a las autoridades locales encargadas de la gestión de residuos.

DECLARACIÓN DE CONFORMIDAD CE

Tipo de máquina: Tres cepillos

Tipo: Cimex Cyclone

Modelo: CR38..., CRS38..., CR48..., CR48/DF...

Esta máquina cumple las siguientes directivas de la UE:

2006/42/CE **Directiva sobre maquinaria**

2004/108/CE **Directiva EMC**

Normativas armonizadas aplicadas EN60335-1, EN60335-2-67, EN55014-1, EN55014-2, EN610003-2, EN610003-3, EN62233

CE *M. Eneas*

Truvox International
Unit C (East) Hamilton
Business Park, Manaton
Way, Botley Road, Hedge
End, Southampton,
SO30 2JR, (Inglaterra)

Malcolm Eneas
Gerente de operaciones

Southampton, 30-04-2004

ESPECIFICACIONES TÉCNICAS

| Modelo | | Cy-clone 38 | Cy-clone 38 | Cy-clone 48 | Diamond Finisher 48 |
|---|-------------------|---------------|-------------|---------------|---------------------|
| Código de producto | | CR38 | CRS38 | CR48 | CR48DF |
| Tensión CA (-)/ frecuencia | V/ Hz | 230/50 | | | - |
| Potencia del motor | W | 370 | | 550 | - |
| Potencia del motor (monofásico/trifásico) | W | - | | | 1500/- |
| Capacidad del depósito de solución limpiadora | l | 25 | | | - |
| Anchura de trabajo | cm | 38 | | 48 | - |
| Velocidad de almohadilla/cepillo | r.p.m. | 620 | 400 | | 880 |
| Presión de almohadilla/cepillo | g/cm ² | 45 | | 38 | - |
| Diámetro de almohadilla/cepillo | cm | 16,5 | | 20 | 48 |
| Productividad | m ² /h | - | | | 600 |
| Productividad - Fregado | m ² /h | 1140 | - | 1140 | - |
| Productividad - Abrillantado | m ² /h | 1710 | - | 2160 | - |
| Productividad - Limpieza de pulverización | m ² /h | 850 | - | 1080 | - |
| Productividad - Limpieza de moquetas | m ² /h | - | 1140 | | - |
| Nivel de presión acústica | dB (A) | 60 | | | - |
| Dimensiones (L x A x H) | cm | 74 x 40 x 112 | | 80 x 50 x 112 | - |
| Peso | kg | 38 | | 47 | 60 |
| Peso de lastre | kg | - | | | 17 |
| N.º de unidades suministradas | | - | | | 2 |
| Longitud de cable | m | 15 | | | |
| Garantía | | 1 año | | | |

- Máquina de fabricación Clase I. Carcasa con grado de protección contra salpicaduras de agua IPX4. Modelos – 110V y 230 V ~ 50 Hz. provistos de cable de alimentación de 15 m tipo H05VV-F 3x1,0 mm² (10A), y enchufe.
- Niveles de presión acústica medidos a una distancia de 1 metro desde la máquina y a 1,6 metros sobre el suelo, durante el fregado de un suelo duro. Mediciones registradas utilizando un medidor portátil.
- La vibración del manillar no supera 2,5 m/s² al trabajar sobre cualquier superficie con cepillo o almohadillas. Mediciones registradas por un laboratorio de pruebas independiente.
- Todas las máquinas incluyen dos pesos de 17kg.

Si tiene dudas o preguntas, póngase en contacto con el proveedor al que le compró la máquina o con Truvox International.

Truvox International Limited

Unit C (East) Hamilton Business Park, Manaton Way, Botley Road, Hedge End, Southampton, SO30 2JR, (Reino Unido); Tel.: +44 (0) 23 8070 6600; Fax: +44 (0) 23 8070 5001; Correo electrónico: sales@truvox.com; Página web: www.truvox.com

Consulte las imágenes de la máquina que aparecen en la página 1

- | | |
|--|---|
| 1 Interruptor de palanca del motor Cuando se levanta, enciende el motor e inicia la rotación de los cabezales; cuando se baja, apaga el motor y detiene los cabezales. Cada vez que se acciona la palanca, cambia la dirección de rotación de los cabezales, mejorando la calidad de la limpieza y prolongando la vida del disco/almohadilla. | 5 Pasadores de arrastre |
| 2 Palanca de alimentación de solución limpiadora Actúa sobre la válvula de flujo del depósito de solución limpiadora (en caso de estar instalado). Tire de la palanca para suministrar solución limpiadora. Suelte la palanca para detener el flujo. | 6 Cabezales rotatorios |
| 3 Manillar | 7 Palanca de ajuste de manillar Desde la posición vertical, levante la palanca de ajuste del manillar y tire del manillar hacia atrás hasta una altura de trabajo cómoda, luego baje la palanca para bloquear el manillar en posición. |
| 4 Barra de presión | 8 Ganchos del cable Se utiliza para mantener el cable de alimentación en su lugar sobre el manillar mientras la máquina no se utiliza. |
| | 9 Placas de accionamiento Punto de acoplamiento para cepillos o discos de accionamiento y almohadillas |
| | 10 Cubierta antipolvo rotatoria |

1. Información del producto

La estabilidad inherente de las limpiadoras de suelo de tres cepillos combinada con una intensa acción limpiadora las hace especialmente útiles para el acabado de mármol, granito, terrazo y otros suelos de piedra. Las máquinas Cimex Cyclone no deben utilizarse en exteriores. La máquina está destinada a uso comercial, por ejemplo, hoteles, centros educativos, hospitales, fábricas, tiendas, oficinas, empresas de alquiler y a otros usos diferentes de las tareas domésticas habituales.

Las siguientes instrucciones contienen información importante sobre las máquinas y consejos de seguridad para el operario. Estas instrucciones son válidas para los siguientes modelos:

Cimex Cyclone CR38..., CRS38..., CR48..., Cimex Diamond Finisher CR48/DF...

Las operaciones de manejo, reparación y mantenimiento del equipo se deben realizar de conformidad con las instrucciones del fabricante. En caso de duda, póngase en contacto con el proveedor.

1.1 Consejos importantes de seguridad



Cuando se utilice esta máquina se deben tener en cuenta precauciones de seguridad básicas, incluyendo las que se detallan a continuación:

- Esta máquina únicamente se debe utilizar para las aplicaciones aprobadas por el fabricante, tal y como se describe en el presente manual.
- Tenga en cuenta que la información de seguridad que aparece en el manual complementa las normativas vigentes en el país en el que se utiliza la máquina y, por tanto, no las sustituye.

- **ADVERTENCIA** - Utilice únicamente accesorios y recambios suministrados con la máquina o aquellos que cuenten con la aprobación del fabricante. El uso de otros recambios o accesorios podría perjudicar la seguridad de la máquina.
- **PRECAUCIÓN** - Esta máquina está destinada al uso exclusivo en interiores secos y no se debe utilizar ni almacenar en exteriores con humedad.
- Todas las piezas se deben colocar tal y como se indica en las instrucciones, antes de utilizar la máquina.
- Se debe desembalar y montar la máquina de conformidad con estas instrucciones antes de conectarla a la red eléctrica.
- **NO** utilice la máquina si tiene polvo peligroso.
- **NO** utilice la máquina en ambientes explosivos.
- **NO** utilice la máquina cerca de líquidos, polvo o vapores inflamables.
- **NO** utilice la máquina para limpiar materiales ardientes o encendidos, como cigarrillos, cerillas, cenizas u otros objetos combustibles.
- Preste atención al utilizar la máquina cerca de la parte superior de unas escaleras para evitar perder el equilibrio.
- Utilice la máquina únicamente sobre superficies firmes y niveladas. **NO** utilice la máquina en pendientes o en inclinaciones superiores al 2%.
- **ADVERTENCIA** - No llene las máquinas con agua a una temperatura superior a 50 °C.
- **NO** utilice gasóleo/gasolina o detergentes corrosivos para limpiar los suelos.
- **NO** limpie ni aspire líquidos corrosivos, inflamables y/o explosivos, incluso si están diluidos.
- **NO** coloque ningún objeto en los orificios. **NO** utilice la máquina si tiene orificios obstruidos; manténgala sin polvo, suciedad o cualquier objeto que pueda reducir el flujo de aire.
- **NO** cubra la máquina mientras la esté usando.
- **NO** deje la máquina conectada a la red eléctrica cuando no la esté usando; retire siempre el enchufe de la toma de corriente.
- **NO** deje la máquina desatendida mientras esté en funcionamiento.
- Esta máquina se debe conectar siempre a una red eléctrica con conexión a tierra con la tensión y frecuencia adecuadas.
- Se debe desconectar la máquina de la fuente de energía, retirando el enchufe de la toma de corriente, durante los procesos de limpieza y mantenimiento, así como durante la sustitución de piezas o accesorios.
- **NO** utilice la máquina si ésta está dañada, ha permanecido en el exterior o se ha caído al agua.
- **NO** manipule los interruptores ni toque el enchufe de red con las manos mojadas, ya que podrían producirse descargas eléctricas.
- **ADVERTENCIA** - Mantenga el cable de alimentación alejado de las piezas móviles (y/o de los cepillos rotatorios). Pasar la máquina por encima del cable de alimentación durante el funcionamiento puede resultar peligroso.
- **NO** utilice la máquina si el cable de alimentación o el enchufe están dañados, si se produce algún fallo de funcionamiento o si presenta algún daño. Póngase en contacto con un agente de servicios autorizado para realizar trabajos de reparación o ajuste.
- **NO** arrastre la máquina ni la transporte tirando del cable de alimentación. **NO** utilice el cable como manillar, no cierre ninguna puerta enganchando el cable ni lo pase por bordes o esquinas cortantes.
- Se debe retirar el enchufe del cable de alimentación de la toma de corriente antes de limpiar la máquina o de realizar operaciones de mantenimiento.

- **NO** retuerza ni gire el cable de alimentación y manténgalo alejado de superficies calientes. □
- Cuando lo desenchufe, tire del enchufe, no del cable de alimentación.
- El cable de alimentación se debe inspeccionar con regularidad para detectar posibles daños. En caso de que el cable de alimentación esté dañado, únicamente podrá ser sustituido por el fabricante, su agente de servicios o una persona cualificada con el fin de evitar peligros.

1.2 Directrices para el operario

- Esta máquina no está destinada al uso por personas (incluyendo niños) con capacidades físicas, sensoriales o mentales reducidas, o con falta de experiencia y conocimiento, a menos que hayan recibido formación sobre el manejo de la máquina o se encuentren bajo la supervisión de una persona responsable de su seguridad.
- Los operarios deben haber recibido una formación completa sobre el uso de la máquina de conformidad con estas instrucciones, lo que les permitirá realizar las operaciones básicas de mantenimiento y la correcta elección de accesorios.
- Los operarios deben ser capaces físicamente de maniobrar, transportar y manejar las máquinas.
- Los operarios deben ser capaces de reconocer un funcionamiento inusual de la máquina y de informar sobre cualquier tipo problema que se presente.
- Durante el funcionamiento de la máquina, los niños y las personas no autorizadas deben mantenerse alejados de ella.
- Mantenga a los niños y a las mascotas alejadas de las soluciones limpiadoras en todo momento.
- **PRECAUCIÓN** – Esta máquina está destinada al uso exclusivo en interiores secos y no se debe utilizar ni almacenar en exteriores con humedad.
- **NO** limpie la máquina utilizando pulverizadores de agua o chorros.
- Mantenga el cabello, la ropa suelta, las manos, los pies y cualquier otra parte del cuerpo alejados de los orificios y las piezas móviles.
- Mantenga la máquina limpia y en buenas condiciones de funcionamiento.
- Deje que la máquina realice el trabajo. Agarre el manillar lo más ligeramente posible.
- Para mantener el equilibrio, colóquese erguido con los pies ligeramente separados. Evite girar el cuerpo más de 45 grados.
- Utilice calzado apropiado para evitar resbalones.
- Utilice prendas apropiadas para mantenerse seco y abrigado.
- Cuando sea posible, ponga en práctica turnos de trabajo y periodos de descanso adecuados para evitar el uso continuado de los mismos músculos.
- **NO** fume mientras esté utilizando la máquina.

1.3 Transporte de la máquina

PRECAUCIÓN - MÁQUINA PESADA

No intente levantar la máquina sin ayuda. El uso de técnicas de elevación incorrectas puede provocar daños personales. Aconsejamos que se sigan las regulaciones de manipulación manual. Consulte la tabla técnica para obtener más detalles sobre el peso de la máquina. **PRECAUCIÓN** – Al levantar la máquina el cabezal del cepillo puede moverse libremente hacia atrás, asegúrese de mantener los dedos lejos de los brazos laterales del chasis. Al mover la máquina el manillar debe estar

bloqueado y la máquina inclinada hacia atrás sobre sus ruedas. No levante o transporte la máquina con líquidos en su interior, ya que su peso aumentará notablemente. Cuando transporte la máquina, asegúrese de que todos los componentes, depósitos y piezas desmontables se encuentran correctamente fijados. Tenga sumo cuidado al subir o bajar la máquina por escaleras o escalones. **PRECAUCIÓN** - Los golpes contra umbrales, bordillos y obstáculos similares pueden dañar la máquina. Los obstáculos pequeños se pueden salvar tirando de la máquina hacia atrás.

2. Preparación para el uso

2.1 Conexión eléctrica

Antes de conectar la máquina a la red eléctrica, compruebe que la tensión de alimentación coincide con la indicada en la etiqueta de características de la máquina.

Únicamente Reino Unido

El cable de alimentación para los modelos 230v incorpora un enchufe con un fusible de 13 amp. En caso de necesitar sustituir el fusible, únicamente se puede sustituir por un fusible de 13 amp, de conformidad con BS1362, y se debe reparar la cubierta del fusible. Si se hubiera perdido la cubierta del fusible, el enchufe no se debe utilizar hasta que se coloque una.

En caso de utilizar un alargador, asegúrese de que la tasa del cable es adecuada para el equipo. No utilice un alargador de bobina, ya que se podría producir un sobrecalentamiento del cable. El cable de alimentación eléctrica junto con cualquier tipo de cables de extensión no deben superar los 30 m en total. La sección transversal de cualquier tipo de cableado de extensión tiene que tener un mínimo de 2,5 mm².

ADVERTENCIA – ESTE APARATO DEBE ESTAR CONECTADO A TIERRA.

2.2 Instalación de cepillos y almohadillas

- **ADVERTENCIA** – Este aparato ha sido diseñado para su uso con los cepillos especificados por el fabricante. El uso de otros cepillos podría perjudicar la seguridad.
- Asegúrese siempre de que la máquina está desenchufada antes de instalar o desmontar piezas.
- Incline el cabezal del cepillo hacia atrás hacia el manillar y empuje tres cepillos del mismo tipo o discos de accionamiento y almohadillas en los cuatro pasadores de arrastre (5) en cada uno de los cabezales rotatorios (6).
- Vuelva a poner el cabezal rotatorio en el suelo.
- Retire los cepillos extrayéndolos de los pasadores de arrastre.
- **IMPORTANTE** - Cuando la máquina no esté en uso, el cabezal del cepillo no debe apoyarse nunca sobre los pasadores de arrastre, incline siempre el cabezal del cepillo hacia atrás.
- Mantenga siempre los cepillos y almohadillas en grupos de tres para asegurar un desgaste uniforme y evitar la vibración.

2.3 Instalación de los discos de accionamiento

- **ADVERTENCIA** – Este aparato ha sido diseñado para su uso con los discos de accionamiento especificados por el fabricante. El uso de otros tipos podría perjudicar la seguridad.
- Asegúrese siempre de que la máquina está desenchufada antes de instalar o desmontar piezas.
Incline el cabezal del cepillo de la máquina hacia atrás hacia el manillar y empuje tres cepillos del mismo tipo en los cuatro

pasadores de arrastre en cada uno de los cabezales rotatorios (6).

- Instale los discos diamantados en los discos de accionamiento. El diámetro exterior de los discos se debe alinear con el diámetro exterior del disco de accionamiento.
- Vuelva a poner el cabezal rotatorio en el suelo.
- Retire los discos de accionamiento extrayéndolos de los pasadores de arrastre.
- **IMPORTANTE** - Cuando la máquina no esté en uso, el cabezal del cepillo no debe apoyarse nunca sobre los pasadores de arrastre, incline siempre el cabezal del cepillo hacia atrás.
- Mantenga siempre los discos diamantados en grupos de tres para asegurar un desgaste uniforme y evitar la vibración.

2.4 Ajuste de la altura del manillar

Elija la altura del manillar más cómoda sirviéndose de la palanca de ajuste y bloquéela en posición.

2.5 Llenar el depósito de solución limpiadora

- Llene el depósito de solución limpiadora con agua limpia, o agua y un producto químico apropiado, según la recomendación del fabricante.
- **IMPORTANTE** – Utilice sólo agentes de limpieza adecuados para máquinas automáticas, es decir, con bajos niveles de formación de espuma, y siga las instrucciones del fabricante del producto en relación con su uso, manipulación y vertido, y cumpla la normativa sobre seguridad e higiene.
- **IMPORTANTE** - El agua o la solución debe estar limpia, el polvo o la suciedad bloquearían los canales de agua.
- La capacidad del tanque es 25 litros. No sobrellene el tanque ya que puede haber derrames durante el uso.

3. Controles

Los controles de funcionamiento se encuentran en el manillar (1). Consulte la página 1.

4. Funcionamiento

4.1 Puesta en marcha de la máquina

- Desenrolle completamente el cable de alimentación del manillar y enchúfelo a una toma de corriente apropiada.
- Con el manillar ajustado a una altura de trabajo adecuada y con ambas manos sobre él, levante la palanca de inicio/parada para poner la máquina en marcha. Al soltar la palanca, la máquina se detendrá.
- **ADVERTENCIA** - Nunca ponga la máquina en funcionamiento sin discos de accionamiento y discos.
- La dirección de movimiento normal de la máquina es hacia delante y hacia atrás.
- Trabaje siempre lejos de la toma de red eléctrica para evitar tropezar con el cable de alimentación.

4.2 Procesar el suelo

- Recomendamos que proteja el área circundante del suelo con plástico, sellado con cinta adhesiva en los bordes.
- Cuando se haya sellado el área del suelo, puede empezar el trabajo de procesado del suelo.
- Con el depósito de solución limpiadora lleno, utilice discos gruesos para un suelo muy rayado o discos más finos si el daño es menor.
- Abra la válvula de flujo de solución bajo el depósito e inicie la máquina. Comience al menos a una distancia de un diámetro del cabezal del límite del área de trabajo o cinta.

- Camine a la mitad de velocidad por el borde del suelo, manteniendo el cabezal de la máquina en el límite de la cinta. Los discos pasarán sobre la cinta si tropieza accidentalmente con ella.
- Dispense suficiente solución limpiadora para mantener el suelo mojado mientras la máquina está funcionando. Cuando alcance una pared o la longitud del cable de alimentación, vuelva sobre el camino recorrido.
- Cada área del suelo se debe cubrir al menos dos veces caminando a la mitad de velocidad. Algunos suelos pueden necesitar pasadas extra para procesarlos a fondo.
- Al llegar al punto de partida original, coloque la máquina para procesar otro recorrido paralelo al primero y que lo solape 50 mm.
- Cuando se haya cubierto el área total del suelo, utilice una aspiradora de líquidos con escobilla de goma para recoger los residuos de agua y piedra del suelo.
- Repita el proceso utilizando discos cada vez más finos.
- En áreas demasiado pequeñas para utilizar la máquina será necesario utilizar un pulidor manual con un solo disco abrasivo.
- aspire toda la solución restante para secar rápidamente el suelo.
- **NOTA** - Si el suelo tiene rebordes, o un área del suelo tiene rebordes, se debe aspirar después de cada abrasión. Los rebordes dañarán los discos abrasivos y los fragmentos pueden recogerse y rayar la superficie del suelo. Se debe aspirar el suelo en cualquier momento si la mezcla se vuelve muy pesada.
- A medida que se seca el suelo, retire la cinta y el plástico protector.
- Si se han mojado materiales de tela o moqueta con agua y residuos de la superficie, lave con agua limpia y extráigalo con la aspiración de líquidos. Puede ser necesario repetir este proceso varias veces para retirar todo el residuo.
- Si el residuo de la superficie se ha secado en una superficie dura, se eliminará rápidamente con un trapo seco.
- Después de la limpieza, humedezca la fregona dos veces con agua limpia para retirar el residuo superficial. El suelo tendrá un aspecto apagado y mate.
- El proceso de pulido se debe llevar a cabo después de un periodo de secado de veinticuatro horas. En suelos más pequeños, la superficie se puede secar mecánicamente. Los discos de accionamiento se deben cambiar al tipo 'Instalok' con las almohadillas adecuadas para el proceso de pulido. No utilice almohadillas de pulido oxidadas o descoloridas.
- No deje la máquina detenida durante el pulido, ya que dejará marcas en el suelo que pueden provocar que haya que repetir todo el proceso.
- Aplique abrillantador con un bote pulverizador; aplíquelo con moderación delante de la máquina mientras trabaja. No deje el abrillantador líquido en el suelo, trabaje sobre él inmediatamente ya que puede provocar manchas en el suelo.
- Durante el procesado, el técnico debe inspeccionar frecuentemente las almohadillas abrasivas para ver si están dañadas o gastadas.
- La inspección determinará qué grado de disco se utiliza para iniciar el proceso. Normalmente se empieza con discos de grano grueso, excepto cuando hay muchos rebordes o el daño de la superficie es muy ligero.
- Para eliminar los rebordes se pueden añadir pesos a la máquina.
- El operador debe examinar la superficie del suelo después de cada procesado para determinar si la eliminación del desgaste o del rayado es efectiva.

4.3 Cuando el procesado haya terminado

- Cuando el procesado haya terminado, desenchufe la máquina de la red eléctrica, retire los pesos, levante el cabezal del cepillo y retire los discos de accionamiento, así como las almohadillas o discos abrasivos. Limpie la máquina con un paño húmedo.
- Retire y limpie los discos de acabado y las almohadillas de pulido.
- Vacíe el depósito de solución limpiadora retirando la manguera de alimentación del cabezal del cepillo y dirigiendo la manguera sobre un drenaje adecuado.
- **IMPORTANTE** – El vertido de la solución limpiadora restante debe realizarse de acuerdo con las instrucciones de su fabricante y la normativa local.
- Limpie el depósito de solución limpiadora con agua limpia.

4.4 Fregado y decapado

- Instale cepillos o discos de accionamiento y almohadillas apropiadas para la superficie que se vaya a limpiar.
- Llene el depósito de solución limpiadora con agua limpia y una medida adecuada de detergente.
- Antes de poner en marcha la máquina, suelte una cantidad generosa de solución limpiadora del depósito en el suelo. El flujo de solución desde el depósito se controla levantando la palanca izquierda. Al soltar la palanca se detiene el flujo.
- Proceda a operar la máquina de la forma normal soltando ocasionalmente más solución limpiadora según sea necesario.
- No se debe dejar que se acumule agua sucia en el suelo; se debe retirar para evitar que se sedimente la suciedad. En este caso sugerimos utilizar una aspiradora de líquidos y seco.
- Una vez finalizado el fregado/decapado, desenchufe la máquina de la red eléctrica, vacíe el depósito de solución limpiadora y limpie y seque la máquina.
- **IMPORTANTE** – El vertido de la solución limpiadora restante debe realizarse de acuerdo con las instrucciones de su fabricante y la normativa local.

4.5 Pulverizado Bonnet

- Llene el tanque con agua tibia.
- Añada limpiador de pulverización Bonnet (D80) en las proporciones indicadas.
- Gire verticalmente el cabezal de la máquina.
- Coloque el cepillo y dos discos de accionamiento.
- Coloque discos Bonnet limpios en los discos de accionamiento.
- Gire el cabezal horizontalmente asegurándose de que los discos Bonnet permanecen colocados.
- Comience la operación de limpieza:
 - Encienda la máquina
 - Encienda el interruptor de la bomba – tenga en cuenta que el interruptor tiene dos posiciones – pulso momentáneo y pulverizado continuo.
 - Camine hacia delante pulverizando la moqueta asegurándose de que solo la cubre ligeramente; no empape la moqueta.
 - Compruebe los discos Bonnet regularmente y cámbielos cuando estén sucios.

4.6 Abrillantado y pulido

- Instale discos de accionamiento y almohadillas apropiadas para la superficie que se vaya a pulir.

- Asegúrese de que el suelo está limpio y seco.
- Camine despacio detrás de la máquina, solapando cada pasada para asegurar un acabado uniforme.
- No deje que la máquina gire más de 10-15 segundos sobre un mismo punto, pues podría provocarse un sobrecalentamiento y daños a la superficie del suelo.
- Si la máquina empieza a vibrar o hace resistencia al pulido en el suelo, compruebe la limpieza de las almohadillas. Cuando la almohadilla esté sucia por un lado se le puede dar la vuelta.

4.7 Limpieza de moquetas Cimex-Encap

- **IMPORTANTE** - El modelo CR38 (620 r.p.m.) no es válido para usar en moquetas
- Coloque activadores de almohadillas y almohadillas o cepillos de limpieza de moquetas.
- Llene el depósito de solución limpiadora con agua limpia y una medida adecuada de solución limpiadora Cimex-Encap™ Low Moisture.
- **PRECAUCIÓN** - Antes de limpiar, haga una prueba en un área pequeña de la moqueta con la solución limpiadora para asegurarse de que no destiñe.
- Con la máquina funcionando, aplique la solución a la moqueta hasta obtener espuma blanca. No moje demasiado la moqueta.
- La moqueta estará seca al tacto en aproximadamente 1 hora, pero déjela secar toda la noche para que tenga lugar el proceso de encapsulamiento completo.
- La suciedad encapsulada se elimina mediante una aspiración normal.

4.8 Cuando la limpieza haya terminado

- Cuando la limpieza haya terminado, desenchufe la máquina de la red eléctrica, levante el cabezal del cepillo y retire los cepillos o almohadillas y limpie la máquina con un trapo húmedo.
- Lave los cepillos y almohadillas en agua tibia jabonosa, enjuague y deje secar naturalmente.
- Vacíe el depósito de solución limpiadora retirando la manguera de alimentación del cabezal del cepillo y dirigiendo la manguera sobre un drenaje adecuado.
- **IMPORTANTE** – El vertido de la solución limpiadora restante debe realizarse de acuerdo con las instrucciones de su fabricante y la normativa local.
- Limpie el depósito de solución limpiadora con agua limpia.

5. Almacenamiento

- Después del uso limpie y seque la máquina y retire y limpie los discos de accionamiento, almohadillas o cepillos. Limpie la cubierta antipolvo rotatoria (10) y compruebe el estado de las juntas del cepillo (9). Las juntas se deben limpiar periódicamente para mantener su efectividad.
- Se debe vaciar y enjuagar el depósito de solución limpiadora con agua limpia.
- La máquina se debe guardar con el manillar en posición vertical y el cabezal del cepillo inclinado hacia atrás. Nunca deje el cabezal del cepillo apoyado en los pasadores de arrastre.
- Enrolle el cable de alimentación alrededor del manillar y el recogedor de cable, asegurándose de que el enchufe no arrastre por el suelo.
- Guarde la máquina exclusivamente en un lugar interior y seco.

6. Mantenimiento

ADVERTENCIA - Antes de realizar operaciones de mantenimiento o ajustes, apague la máquina y desenchúfela de la red eléctrica.

IMPORTANTE - Cualquier otro servicio o reparación deberá ser realizado por un ingeniero de Truvox o agente de servicios autorizado.

IMPORTANTE - En caso de que la máquina no funcione, consulte la sección de diagnóstico de fallos de funcionamiento que se encuentra en la parte final del presente manual de instrucciones. Si el problema/la solución no se encuentra en la lista, póngase en contacto con el Departamento de Atención al Cliente de Truvox para recibir asistencia rápida.

La máquina requiere un mantenimiento mínimo, además de las siguientes comprobaciones que tiene que realizar el operario antes del uso de ésta:

- Cable de alimentación – Inspeccione regularmente su revestimiento, el enchufe y el anclaje del cable para detectar posibles daños o conexiones sueltas. Sustituya el cable de alimentación únicamente con el tipo que se especifica en las presentes instrucciones.
- Depósito de solución limpiadora – Compruebe el flujo de agua; si no fuera normal, inspeccione las mangueras y tubos para detectar obstrucciones o retorcimientos. Si fuera necesario, desmonte la válvula de control para su limpieza.
- Discos de accionamiento, almohadillas y cepillos - Inspecciónelos para comprobar la presencia de desgaste y sustituya los cepillos gastados. Limpie con agua corriente.

7. Servicio posventa

Las máquinas Truvox son máquinas de alta calidad que han sido sometidas a pruebas de seguridad por técnicos especializados. Después de periodos de trabajo prolongados, los componentes eléctricos y mecánicos suelen mostrar signos de desgaste, rotura o envejecimiento. Para mantener la seguridad de funcionamiento y la fiabilidad se han definido los siguientes intervalos de mantenimiento: Cada año o después de 250 horas. En condiciones extremas o específicas, o si no se realiza un mantenimiento suficiente, son necesarios periodos de revisión más cortos. Utilice sólo recambios originales Truvox. El uso de otros recambios invalidará la garantía y las demandas de responsabilidad. Si necesita atención del servicio posventa, póngase en contacto con el proveedor que le vendió la máquina para acordar el servicio. Las reparaciones y operaciones de servicio de los productos Truvox deben ser realizadas exclusivamente por personal capacitado. Las reparaciones inadecuadas pueden constituir un peligro considerable para el usuario.

8. Garantía

Su producto cuenta con una garantía de un año desde la fecha de compra original, o compra a plazos, contra defectos en materiales o mano de obra durante su fabricación. Durante el

periodo de garantía nos comprometemos, a nuestra discreción, a reparar o sustituir, sin coste adicional para el comprador, toda pieza defectuosa, sujetos a las siguientes condiciones:

CONDICIONES

1. Las reclamaciones formuladas en virtud de los términos de la garantía deben ir acompañadas de la factura/recibo original de compra emitida/o en el momento de la venta o el número de serie de la máquina.
2. Para formular reclamaciones en virtud de esta garantía, póngase en contacto con el proveedor que le vendió el producto, quien emprenderá las acciones adecuadas. En un principio, no devuelva el producto, ya que podría resultar dañado durante el transporte.
3. Ni Truvox ni su distribuidor se responsabilizarán de cualquier tipo de pérdida incidental o consiguiente.
4. La presente garantía está regida por la legislación de Inglaterra.
5. Esta garantía no cubre:
 - Mantenimiento periódico, ni reparaciones o sustituciones de piezas como consecuencia de un uso y desgaste normales.
 - Daños provocados por accidente, uso indebido o negligencia, o por la instalación de piezas que no sean originales de Truvox.
 - Defectos en piezas que no sean originales de Truvox, o reparaciones, modificaciones o ajustes realizados por personas que no sean ingenieros del servicio técnico de Truvox o agentes autorizados del servicio técnico.
 - Costes y riesgos de transporte relacionados directa o indirectamente con la garantía de este producto.
 - Consumibles como cepillos, discos de accionamiento, filtros y faldones de aspiración.
 - Esta garantía no afecta a sus derechos legales, ni a sus derechos frente al proveedor que se deriven de sus contratos de venta o de compra. La política de Truvox International Limited es el continuo desarrollo del producto y nos reservamos el derecho de modificar las especificaciones sin previo aviso.

9. Accesorios

| Artículo | CR38 (16 cm) | CR48 (20 cm) | CR48/DF | Uso |
|--|--------------|--------------|--------------|------------------------------------|
| Cepillo de polipropileno (amarillo) | 11-1604-0500 | 11-2004-0500 | - | Fregado medio |
| Cepillo de nailon (blanco) | 11-1605-0500 | 11-2005-0500 | - | Fregado estándar |
| Cepillos de limpieza de moquetas (blanco) | 11-1607-0500 | 11-2007-0500 | - | |
| Disco de accionamiento | 11-1662-0500 | 11-2062-0500 | - | |
| Fibra (acolchado) | - | 11-2001-0500 | - | Fregado de uso general |
| Cepillo de polipropileno (amarillo) | - | 11-2003-0500 | - | Fregado ligero |
| Cepillo mezcla de polipropileno/bronce (blanco/bronce) | - | 11-2013-0500 | - | Fregado abrasivo |
| Cepillo Tynex (gris) | - | 11-2016-0500 | - | Fregado extrafuerte |
| Disco de accionamiento de velcro | - | 11-2060-0500 | - | |
| Alambre ondulado | - | - | 11-2041-0500 | Limpieza de placa estriada |
| Alambre de acero 18G | - | - | 11-2043-0500 | Acabado de hormigón |
| Alambre de bronce 18G | - | - | 11-2045-0500 | Escarificación antichispas |
| Alambre de acero 3 x 16G | - | - | 11-2049-0500 | Escarificación general |
| Alambre de acero 3 x 14G | - | - | 11-2051-0500 | Escarificación de alta resistencia |
| Disco de accionamiento de velcro | - | - | 05-4346-0000 | Para herramienta diamantada |

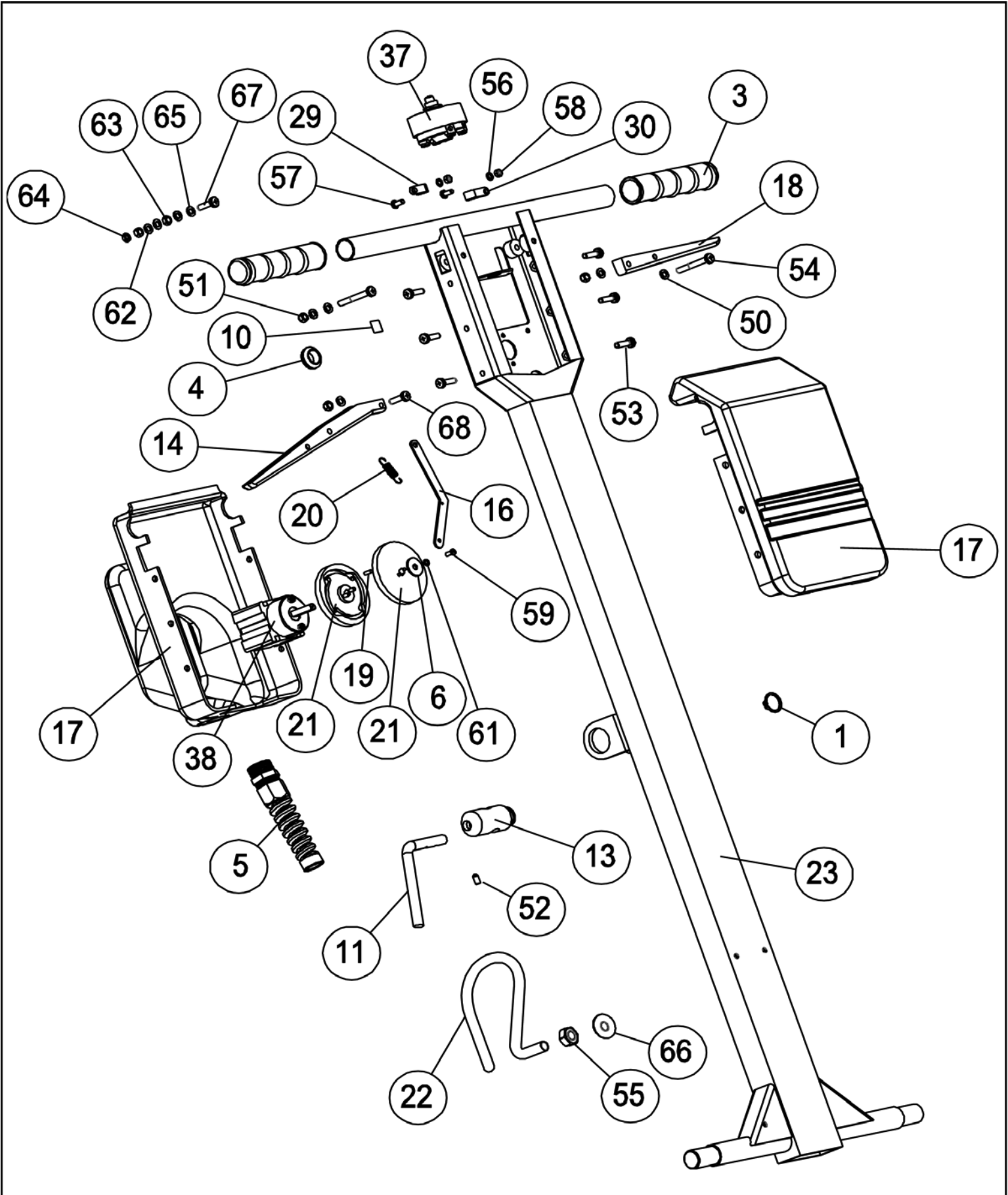
NOTA - Los cepillos se suministran en conjuntos de 3.

10. Diagnóstico de fallos de funcionamiento

El operario puede realizar las siguientes comprobaciones sencillas:

| Problema | Motivo | Solución |
|--|---|--|
| El motor no funciona | <ul style="list-style-type: none"> Falta de voltaje/suministro eléctrico Interruptor de desconexión de seguridad defectuoso | <ul style="list-style-type: none"> Compruebe el fusible*, el cable de alimentación, el enchufe, la toma de corriente y el disyuntor del circuito |
| La máquina se cala durante el funcionamiento | <ul style="list-style-type: none"> Cepillos/almohadillas dañados | <ul style="list-style-type: none"> Sustituya los cepillos/almohadillas |
| El motor funciona, pero los cepillos no giran | <ul style="list-style-type: none"> Correa de transmisión suelta o rota | <ul style="list-style-type: none"> Retire la cubierta antipolvo rotatoria y coloque la nueva correa de transmisión, o póngase en contacto con el agente de servicio |
| La máquina vibra | <ul style="list-style-type: none"> Cepillos/almohadillas sucias o dañadas Grosor desigual de cepillos/almohadillas | <ul style="list-style-type: none"> Sustituya o limpie los cepillos/almohadillas Sustituya con 3 cepillos/almohadillas de igual grosor |
| La solución limpiadora no fluye | <ul style="list-style-type: none"> Suciedad en el tanque, salida bloqueada La válvula de flujo no está abierta | <ul style="list-style-type: none"> Limpie el depósito con agua limpia Compruebe que todas las válvulas están abiertas |

* Si el fusible salta varias veces es necesario que un agente de servicio autorizado revise la máquina.



CR38/CRS38 Handle Assembly

Drawing Number: 09-1047-0000

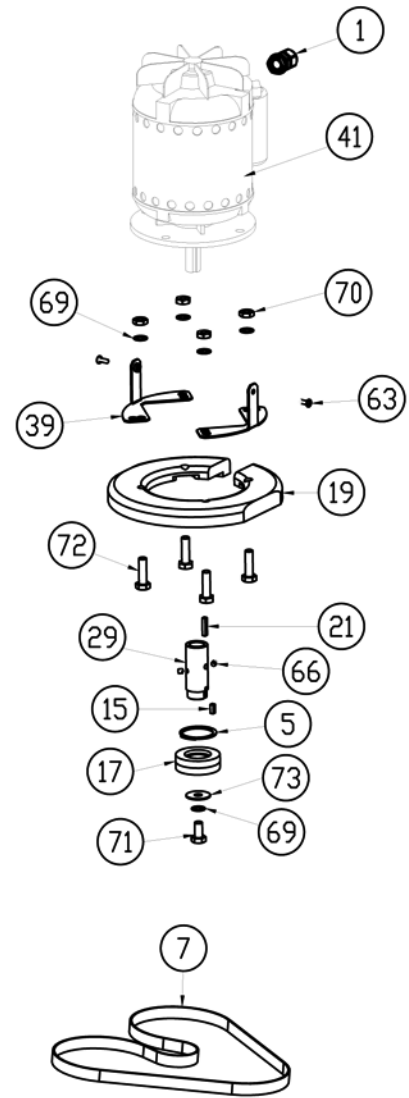
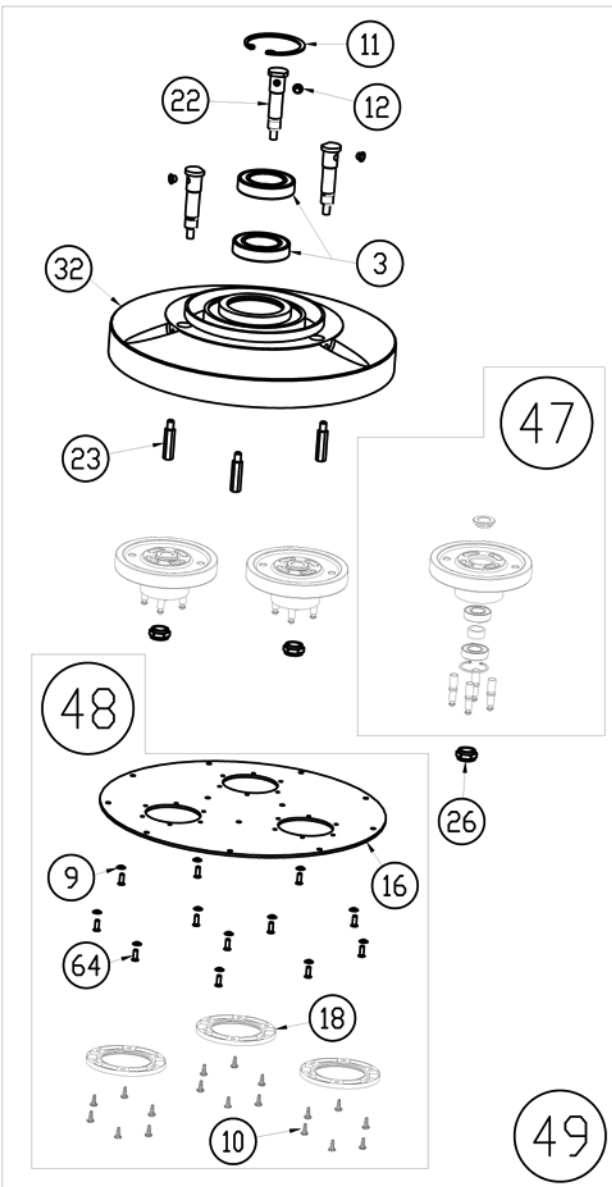
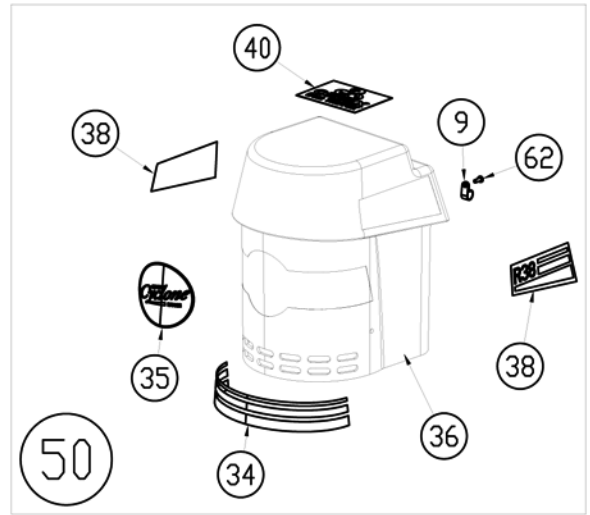
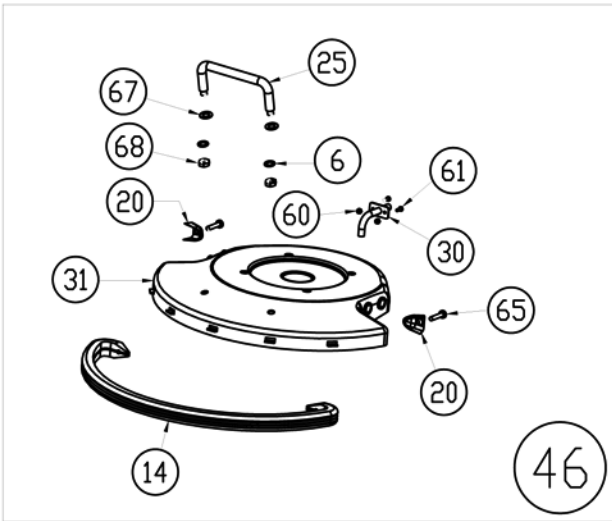
| | | | |
|-----------------------|--------------|-----------------------|-------|
| Date: | 2/3/2009 | | |
| Machine: | CR38 | | |
| Reference Parts List: | 05-3987-0000 | | |
| Modified By: | G SECHERE | DESCRIPTION OF CHANGE | ECN # |
| Revision: | B | COMPONENTS CHANGE | N/A |

CR38/CRS38 Handle Assembly

Part Reference: 05-3987-0000

| | | | |
|---------------------------|--------------|-----------------------|-------|
| Date: | 2/3/2009 | | |
| Machine: | CR38 | | |
| Reference Drawing Number: | 09-1047-0000 | | |
| Modified By: | G SECHERE | DESCRIPTION OF CHANGE | ECN # |
| Revision: | B | COMPONENTS CHANGE | N/A |

| Ref. No. | Part No. | Part Description | Qty |
|------------------------|--------------|---|------|
| CORE COMPONENTS | | | |
| 1 | 02-3950-0000 | 3/4 in EXTERNAL CIRCLIP | 1 |
| 2 | 02-4065-0000 | SLEEVING 2MM CLEAR | 4" |
| 3 | 02-4175-0000 | HANDLE GRIP | 2 |
| 4 | 02-4176-0000 | GROMMET | 1 |
| 5 | 02-4186-0000 | CABLE GLAND | 1 |
| 6 | 02-4311-0000 | PENNY WASHER | 1 |
| 7 | 02-4149-0000 | TYRAP - SMALL (BI) *NOT SOWHN* | 7 |
| 10 | 03-6185-0000 | EARTH POINT LABEL | 1 |
| 11 | 03-6953-0000 | LOCKING HANDLE | 1 |
| 13 | 03-6957-0000 | PIVOT | 1 |
| 14 | 03-7281-0000 | LEVER | 1 |
| 16 | 03-7298-0000 | SWITCH CAM LEVER | 1 |
| 17 | 03-7300-1000 | HANDLE BOX (FRONT & REAR SET) | 1 |
| 18 | 03-7301-0000 | WATER VALVE LEVER | 1 |
| 19 | 03-7433-0000 | CAM FOLLOWERS | 1 |
| 20 | 03-7434-0000 | SPRING | 1 |
| 21 | 03-7435-0000 | REVERSE SWITCH CAMS | 1 |
| 22 | 03-7660-0000 | CABLE HOOK | 1 |
| 23 | 03-8010-0000 | CR38 COMMON HANDLE FRAME | 1 |
| 29 | 04-0286-0000 | P CLIP (DROPLEAD) | 1 |
| 30 | 04-0286-0000 | P CLIP (MAINS CABLE) | 1 |
| 31 | 04-3416-0000 | SUPPRESSOR RF 0.47UF | 1 |
| 33 | 04-3576-0000 | CRIMP TERMINAL PRE-INSULATED *NOT SHOWN* | 6 |
| 32 | 04-3480-0000 | TERMINAL (FORK) *NOT SHOWN* | 2 |
| 34 | 04-3481-0000 | TERMINAL (SPRING SPADE) *NOT SHOWN* | 4 |
| 35 | 04-3602-0000 | TERMINAL (RING) *NOT SHOWN* | 2 |
| 36 | 04-3055-0053 | MAINS CABLE 1.5MM SQ ORANGE PVC 3 CORE UK PLUG | 1 |
| 37 | 04-3686-0000 | SWITCH (MOMENTARY) | 1 |
| 38 | 04-3809-0000 | SWITCH (CAM OPERATED) | 1 |
| 43 | 04-3553-0000 | CABLE 2.5MM 14AWG BLACK *NOT SHOWN* (DROPLEAD) | 174" |
| 44 | 04-3556-0000 | CABLE 2.5MM 14AWG BLUE *NOT SHOWN* (DROPLEAD) | 87" |
| 45 | 04-3558-0000 | CABLE 2.5MM 14AWG BROWN *NOT SHOWN* (DROPLEAD) | 87" |
| 46 | 04-3559-0000 | CABLE 2.5MM 14AWG GREEN/YELLOW *NOT SHOWN* (DROPLEAD) | 87" |
| 47 | 72470A | HEAT SHRINK TUBING | 12" |
| FASTENERS | | | |
| 50 | 00-0500-0503 | M5 PLAIN WASHER | 6 |
| 51 | 00-0500-0723 | M5 NYLOC NUT | 3 |
| 52 | 00-0510-0171 | M5 x 10 SOCKET SET SCREW | 1 |
| 53 | 00-0512-0013 | M5 X 12 POZI PAN HEAD SCREW | 6 |
| 54 | 00-0540-0013 | SCREW, M5 X 40 PAN HEAD | 2 |
| 55 | 00-1000-0703 | M10 FULL NUT | 1 |
| 56 | 00-0400-0523 | M4 SHAKEPROOF WASHER | 2 |
| 57 | 00-0410-0023 | M410 POZI PAN HEAD | 2 |
| 58 | 00-0400-0703 | M4 FULL NUT | 2 |
| 59 | 00-0308-0013 | M3x8 POZI PAN HD SCREW | 1 |
| 61 | 00-0300-0503 | M3 PLAIN WASHER | 1 |
| 62 | 00-0500-0507 | M5 BRASS WASHER | 3 |
| 63 | 00-0500-0703 | M5 FULL NUT | 2 |
| 64 | 00-0500-0713 | M5 LOCK NUT | 1 |
| 65 | 00-0500-0521 | M5 SHAKEPROOF WASHER Z/P | 1 |
| 66 | 00-1000-0523 | M10 SHAKEPROOF WASHER | 1 |
| 67 | 00-0520-0013 | M5x20 POZI PAN HD SCREW | 1 |
| 68 | 00-0518-0013 | M5 X 12 POZI PAN HEAD SCREW | 1 |



CR38/CRS38 Head Assembly

DRAWING NO.: 09-1095-0000

MACHINE: CR38

REF. PARTS LIST: 05-3959-0000

SERIES: B

REVISION

ECN #

DESCRIPTION OF CHANGE

MOD. BY

DATE

A

0279

CHANGED TO LEMAC MOTOR; COVER TO 03-8230-0000

GS

2/15/2010

CR38/CRS38 Head Assembly

Part Reference: 05-3959-0000

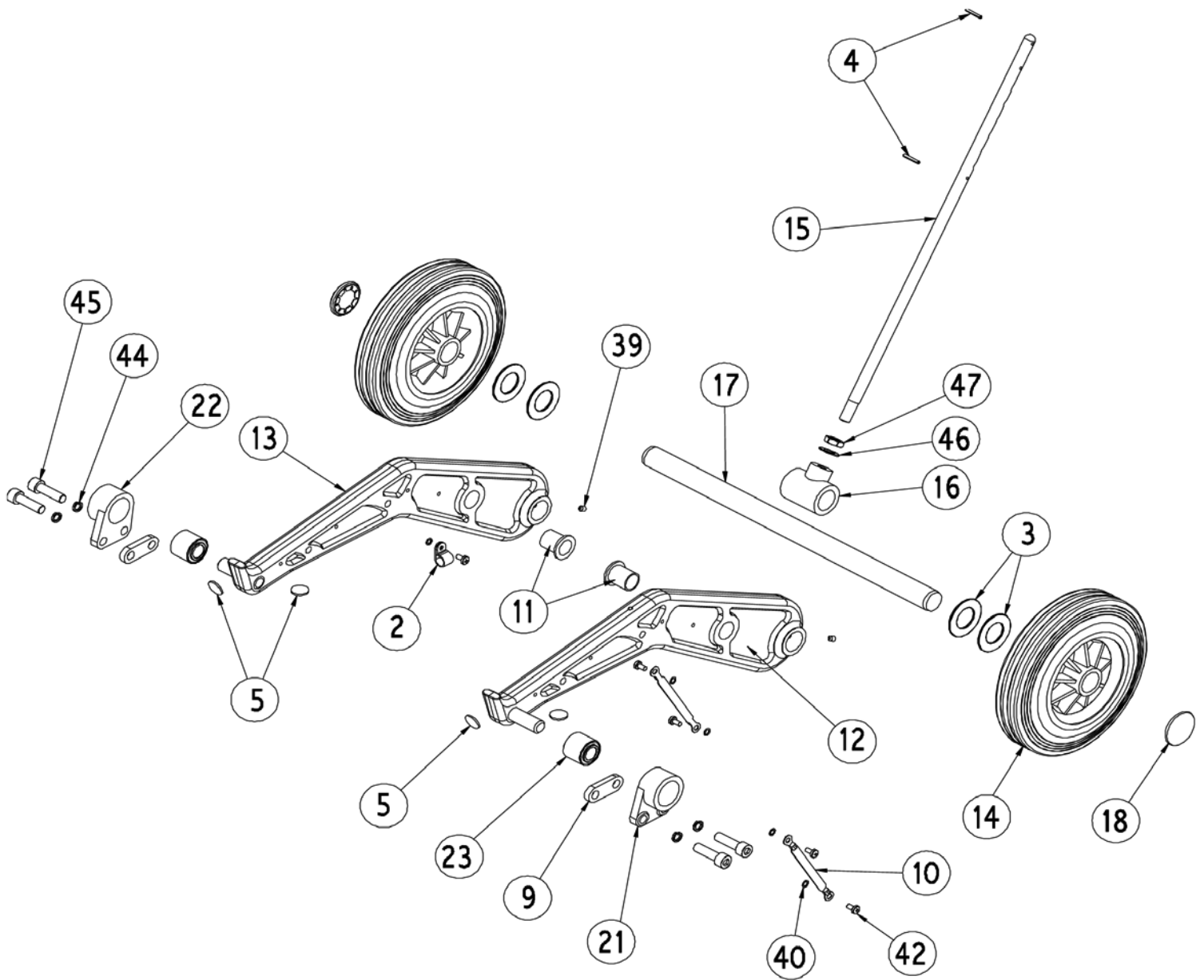
MACHINE: CR38

REF. DWG. #: 09-1095-0000

SERIES: B

| REVISION | ECN# | DESCRIPTION OF CHANGE | MOD. BY | DATE |
|----------|------|---|---------|-----------|
| A | 0279 | CHANGED MOTOR TO LEMAC; COVER TO 03-8230-0000 | G.S. | 2/15/2010 |

| Ref. No. | Part No. | Part Description | Qty |
|------------------------|--------------|--|-----|
| CORE COMPONENTS | | | |
| 1 | 02-3965-0000 | CABLE GLAND & NUT | 1 |
| 2 | 02-4379-0000 | M10 STEEL RIVNUT TPP30 *NOT SHOWN* | 4 |
| 3 | 02-4020-0000 | BALL RACE 6009-2RS | 2 |
| 5 | 02-4024-0000 | EXTERNAL CIRCLIP 1400-45MM | 1 |
| 7 | 02-4189-0000 | BELT 1155 x 16mm NITTA LA500 (BLUE/BLUE) | 1 |
| 8 | 02-4279-0000 | P CLIP HEYCO 350-3364 | 1 |
| 9 | 02-4320-0000 | BRASS CUP WASHER | 12 |
| 10 | 02-4323-0000 | N o. 12 x 1/2" PAN HD POZI S/TAP ST/ST SCREW | 18 |
| 11 | 02-4380-0000 | CIRCLIP INTERNAL 1300-75MM | 1 |
| 12 | 02-4381-0000 | (BI)PLASTIC INSERT REF 12157 | 3 |
| 14 | 03-6898-1000 | BUMPER STRIP (BI) | 22" |
| 15 | 03-6901-0000 | STEEL KEY 3/16in x 3/16in x 1/2in LONG | 1 |
| 16 | 03-6907-0000 | CR38 BOTTOM COVER PLATE | 1 |
| 17 | 03-6908-0000 | MOTOR PULLEY FINISHED MILD STEEL | 1 |
| 18 | 03-6910-0000 | DUST SEAL FULLY FINISHED | 3 |
| 19 | 03-6911-0000 | HEADWEIGHT FINISH GREY OXIDE | 1 |
| 20 | 03-6928-0000 | CLIP | 2 |
| 21 | 03-6930-0000 | ROUND END ST KEYS 3/16 X 3/16 X 25mm | 1 |
| 22 | 03-6944-0000 | BRUSH SPINDLE (BRASS) | 3 |
| 23 | 03-7332-0000 | BOTTOM COVER SPACER BZPISS C | 3 |
| 25 | 03-7668-0000 | LIFTING HANDLE | 1 |
| 26 | 03-7220-0000 | (BI)M16 NYLOC NUT FULLY MACH IN ED D RG ISS B | 3 |
| 29 | 03-7309-0000 | SHAFT EXT.(MOTOR) 38 SERIESTO DRG. ISS C | 1 |
| 30 | 03-7313-0000 | WATER INLET BRIGHT ZINC PLATE | 1 |
| 31 | 03-7327-0000 | BUMPER SHIELD PLATE AND PAINT YELLOW RAL 1018 | 1 |
| 32 | 03-7328-0000 | BOWL EDU 38 SERIES ALOCROM AND PAINT BLUE RAL 5013 | 1 |
| 34 | 03-7654-0000 | DECAL MOTOR COVER CYCLONE TO DRG. ISSUE'01' | 1 |
| 35 | 03-7655-0000 | DECAL MOTOR COVER CYCLONE TO DRG. ISSUE'01' | 1 |
| 36 | 03-8230-0000 | CR48 MOTOR COVER | 1 |
| 38 | 03-7684-0000 | LABEL - MOTOR COVER R38 DRG ISS 1 | 2 |
| 39 | 03-7833-0000 | MOTOR COVER BRACKET | 2 |
| 40 | 03-7944-0000 | CIMEX FROM TRUVOX LABEL (LARGE 96 x 85mm) | 1 |
| 41 | 04-3915-0000 | MOTOR 370W 0.5HP 220-240V 50/60Hz | 1 |
| 42 | 04-3602-0000 | RING TERMINAL #10 *NOT SHOWN* | 5 |
| 43 | 72470A | HEAT SHRINK 1/2 BLK *NOT SHOWN* | 12" |
| 47 | 05-4547-0000 | CR38 BRUSH PULLEY ASSEMBLY | 3 |
| FASTENERS | | | |
| 60 | 00-0300-0723 | M3 NYLOC NUT A2 | 2 |
| 61 | 00-0308-0013 | M3 X 8 PAN POZI M/C SCREW A2 | 2 |
| 62 | 02-4323-0000 | 10 X 1/2 PAN POZI AB S/TAPPER | 1 |
| 63 | 00-0512-0013 | M5 X 12 PAN POZI M/C SCREW A2 | 2 |
| 64 | 00-0512-0033 | M5 X 12 CSK POZI M/C SREW A2 | 12 |
| 65 | 00-0525-0013 | M5 X 25 PAN POZI M/C SCREW A2 | 2 |
| 66 | 00-0606-0171 | M6 X 6 SKT SET SCREW S/COL | 2 |
| 67 | X8218+ | 5/16 SAE FLAT WASHER | 2 |
| 68 | 00-0800-0713 | M8 HEX LOCK NUT A2 | 2 |
| 69 | 00-1000-0523 | M10 INT S/PROOF WASHER S/S | 5 |
| 70 | 00-1000-0703 | M10 HEX NUT S/S | 4 |
| 71 | 00-1020-0123 | M10 X 20 HEX SET SCREW S/S | 1 |
| 72 | 00-1040-0111 | M10 X 40 HEX SCREW BZP | 4 |
| 73 | 02-4335-0000 | M10 X 30 PENNY WASHER A2 | 1 |



CR38/CRS38 Chassis Assembly

Drawing Number: 09-1094-0000

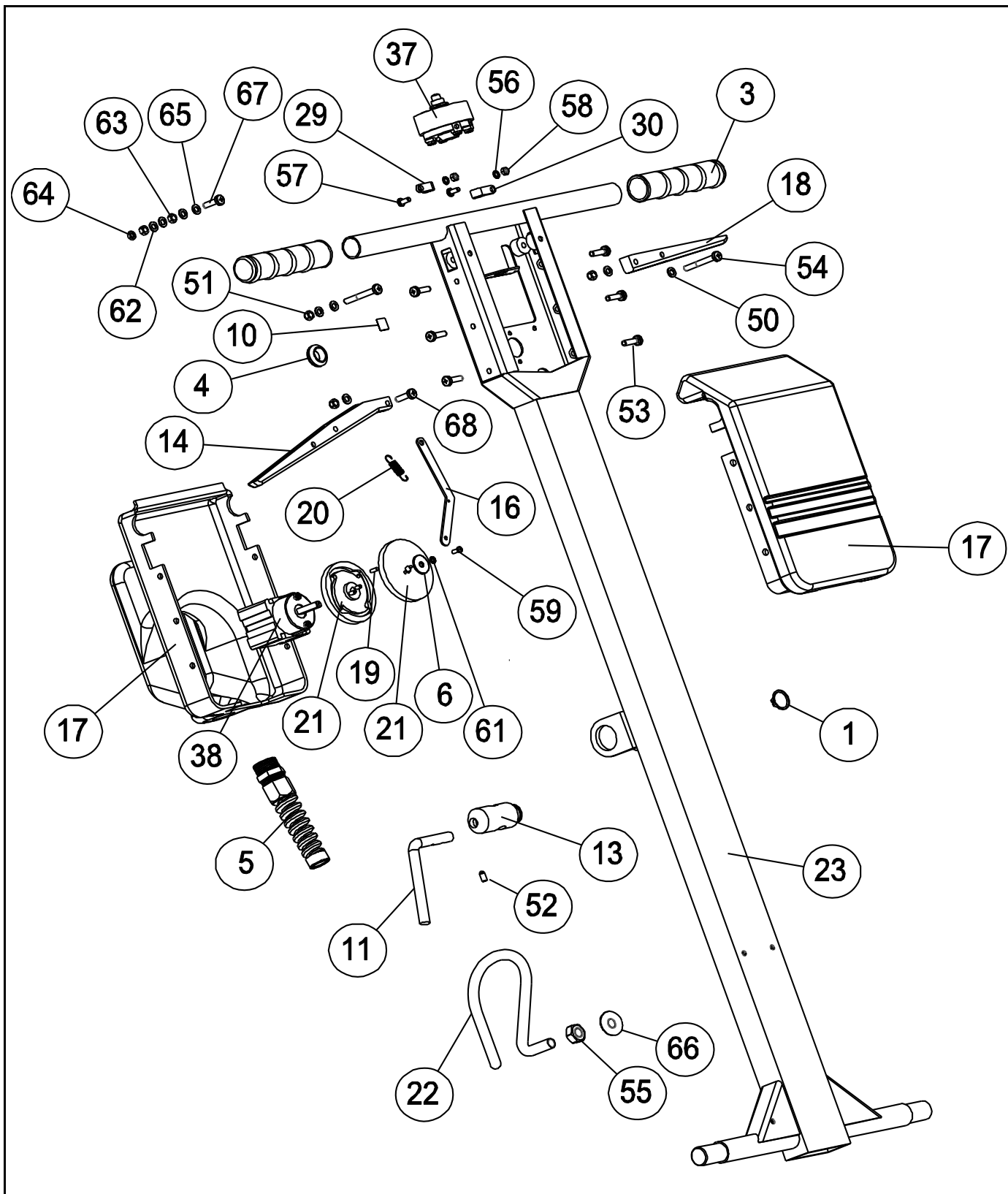
| | | | |
|-----------------------|--------------|------------------------|-------|
| Date: | 9/14/2009 | | |
| Machine: | CR38 | | |
| Reference Parts List: | 05-4531-0000 | | |
| Modified By: | G SECHERE | DESCRIPTION OF CHANGE | ECN # |
| Revision: | C | ADDED SET SCREWS (#39) | 0134 |

CR38/CRS38 Chassis Assembly

Part Reference: 05-4531-0000

| | | | |
|---------------------------|--------------|------------------------|-------|
| Date: | 9/14/2009 | | |
| Machine: | CR38 | | |
| Reference Drawing Number: | 09-1094-0000 | | |
| Modified By: | G SECHERE | DESCRIPTION OF CHANGE | ECN # |
| Revision: | C | ADDED SET SCREWS (#39) | 0134 |

| Ref. No. | Part No. | Part Description | Qty |
|------------------------|--------------|---|-----|
| CORE COMPONENTS | | | |
| 2 | 02-4279-0000 | P-CLIP 1/2" (CONDUIT) | 1 |
| 3 | 02-4363-0000 | WASHER (USED AS WHEEL SPACER SUBJECT TO QTY CHANGE) | 4 |
| 4 | 02-4208-0000 | SELLOCK PIN 1/8x7/8 | 2 |
| 5 | 02-4187-0000 | BUFFER RUBBER 19mm x 1.5mm | 4 |
| 9 | 03-7342-0000 | SPACER | 2 |
| 10 | 03-6899-0000 | EARTH LEAD (WITH INTEGRAL TERMS) | 2 |
| 11 | 03-6919-0000 | FORK HANDLE BUSH (BLACK) | 2 |
| 12 | 03-8175-0000 | CR48 LIFTING FORK L/H | 1 |
| 13 | 03-8176-0000 | CR48 LIFTING FORK R/H | 1 |
| 14 | 03-7277-0000 | WHEEL 200mm DIA | 2 |
| 15 | 03-7279-0000 | SWIVEL CLAMP ROD | 1 |
| 16 | 03-7306-0000 | TEE PIECE | 1 |
| 17 | 03-7384-0000 | AXLE BZP | 1 |
| 18 | 03-7658-0000 | STARLOCK HUB CAP | 2 |
| 20 | 02-4261-0000 | 16mm CONDUIT *NOT SHOWN* | 36" |
| 21 | 03-6926-0000 | PIVOT BLOCK (L/H) | 1 |
| 22 | 03-6925-0000 | PIVOT BLOCK (R/H) | 1 |
| 23 | 03-6929-0000 | SILENT BEARING | 2 |
| FASTENERS | | | |
| 39 | 00-0606-0171 | M6 X 6 SKT SET SCREW S/COL | 2 |
| 40 | 00-0500-0521 | M5 INTERNAL SHAKEPROOF WASHER | 5 |
| 42 | 00-0512-0013 | M5x12 POZI PAN HEAD SCREW ST/ST | 5 |
| 44 | 7CL003 | M10 SPRING WASHER ST/ST | 4 |
| 45 | 00-1030-0103 | M10x30 CAP HD SCREW ST/ST | 4 |
| 46 | 00-1200-0503 | M12 WASHER FORM B ST/ST | 1 |
| 47 | 00-1200-0713 | M12 LOCKNUT ST/ST | 1 |



CR48 Handle Assembly

Drawing Number: 09-1047-0000

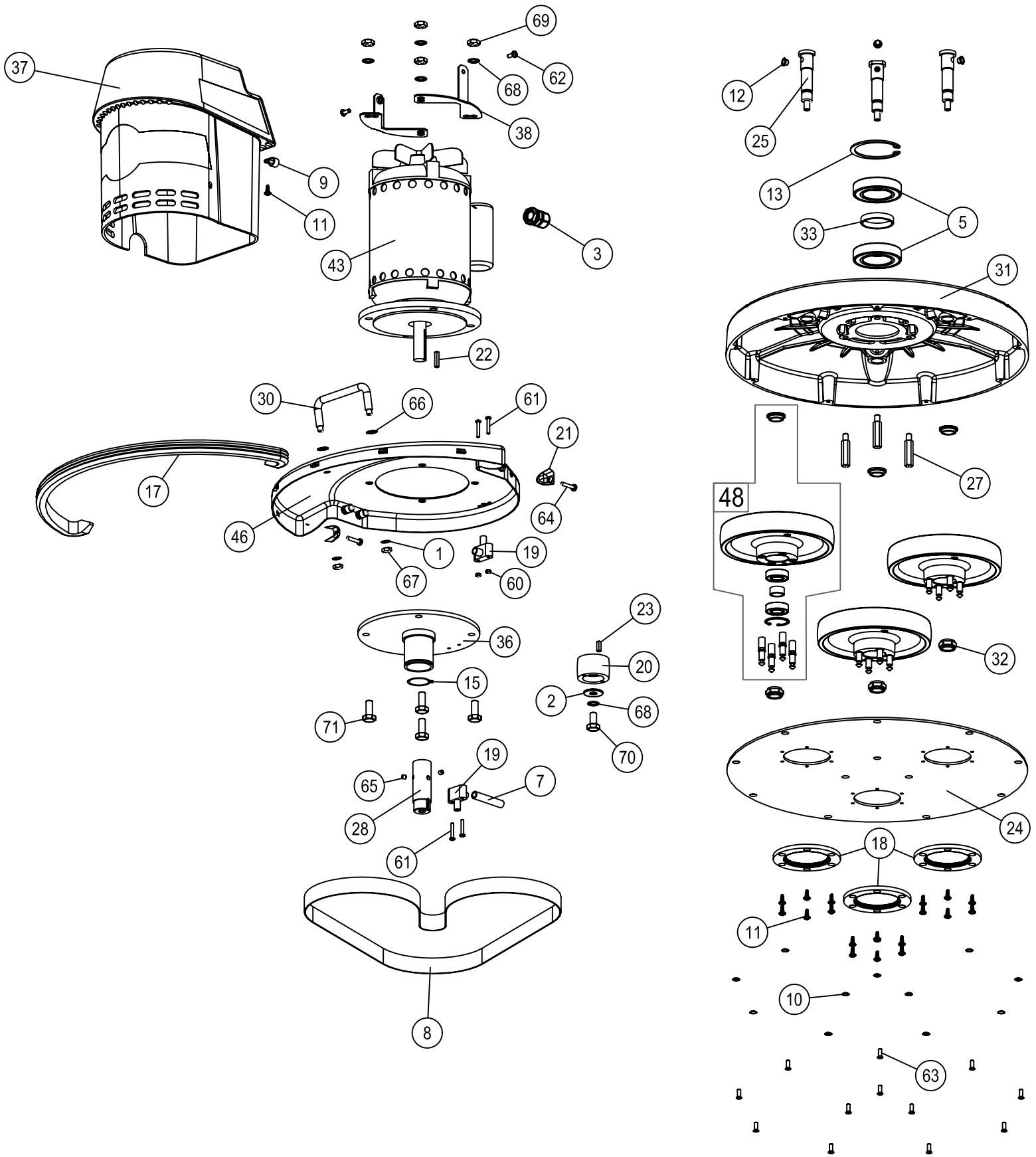
| | | | |
|-----------------------|--------------|-----------------------|-------|
| Date: | 02/02/2009 | | |
| Machine: | CR48 | | |
| Reference Parts List: | 05-3934-0000 | | |
| Modified By: | G SECHERE | DESCRIPTION OF CHANGE | ECN # |
| Revision: | B | COMPONENTS CHANGE | N/A |

CR48 Handle Assembly

Part Reference: 05-3934-0000

| | | | |
|---------------------------|--------------|-----------------------|-------|
| Date: | 02/02/2009 | | |
| Machine: | CR48 | | |
| Reference Drawing Number: | 09-1047-0000 | | |
| Modified By: | G SECHERE | DESCRIPTION OF CHANGE | ECN # |
| Revision: | B | COMPONENTS CHANGE | N/A |

| Ref. No. | Part No. | Part Description | Qty |
|------------------------|--------------|---|------|
| CORE COMPONENTS | | | |
| 1 | 02-3950-0000 | 3/4 in EXTERNAL CIRCLIP | 1 |
| 2 | 02-4065-0000 | SLEEVING 2MM CLEAR | 4" |
| 3 | 02-4175-0000 | HANDLE GRIP | 2 |
| 4 | 02-4176-0000 | GROMMET | 1 |
| 5 | 02-4186-0000 | CABLE GLAND | 1 |
| 6 | 02-4311-0000 | PENNY WASHER | 1 |
| 7 | 02-4149-0000 | TYRAP - SMALL (BI) *NOT SOWHN* | 7 |
| 10 | 03-6185-0000 | EARTH POINT LABEL | 1 |
| 11 | 03-6953-0000 | LOCKING HANDLE | 1 |
| 13 | 03-6957-0000 | PIVOT | 1 |
| 14 | 03-7281-0000 | LEVER | 1 |
| 16 | 03-7298-0000 | SWITCH CAM LEVER | 1 |
| 17 | 03-7300-1000 | HANDLE BOX (FRONT & REAR SET) | 1 |
| 18 | 03-7301-0000 | WATER VALVE LEVER | 1 |
| 19 | 03-7433-0000 | CAM FOLLOWERS | 1 |
| 20 | 03-7434-0000 | SPRING | 1 |
| 21 | 03-7435-0000 | REVERSE SWITCH CAMS | 1 |
| 22 | 03-7660-0000 | CABLE HOOK | 1 |
| 23 | 03-8005-0000 | CR / RHD COMMON HANDLE FRAME | 1 |
| 29 | 04-0286-0000 | P CLIP (DROPLEAD) | 1 |
| 30 | 04-0286-0000 | P CLIP (MAINS CABLE) | 1 |
| 31 | 04-3416-0000 | SUPPRESSOR RF 0.47UF | 1 |
| 33 | 04-3576-0000 | CRIMP TERMINAL PRE-INSULATED *NOT SHOWN* | 6 |
| 32 | 04-3480-0000 | TERMINAL (FORK) *NOT SHOWN* | 2 |
| 34 | 04-3481-0000 | TERMINAL (SPRING SPADE) *NOT SHOWN* | 4 |
| 35 | 04-3602-0000 | TERMINAL (RING) *NOT SHOWN* | 2 |
| 36 | 04-3055-0053 | MAINS CABLE 1.5MM SQ ORANGE PVC 3 CORE UK PLUG | 1 |
| 37 | 04-3686-0000 | SWITCH (MOMENTARY) | 1 |
| 38 | 04-3809-0000 | SWITCH (CAM OPERATED) | 1 |
| 43 | 04-3553-0000 | CABLE 2.5MM 14AWG BLACK *NOT SHOWN* (DROPLEAD) | 174" |
| 44 | 04-3556-0000 | CABLE 2.5MM 14AWG BLUE *NOT SHOWN* (DROPLEAD) | 87" |
| 45 | 04-3558-0000 | CABLE 2.5MM 14AWG BROWN *NOT SHOWN* (DROPLEAD) | 87" |
| 46 | 04-3559-0000 | CABLE 2.5MM 14AWG GREEN/YELLOW *NOT SHOWN* (DROPLEAD) | 87" |
| 47 | 72470A | HEAT SHRINK TUBING | 12" |
| FASTENERS | | | |
| 50 | 00-0500-0503 | M5 PLAIN WASHER | 6 |
| 51 | 00-0500-0723 | M5 NYLOC NUT | 3 |
| 52 | 00-0510-0171 | M5 x 10 SOCKET SET SCREW | 1 |
| 53 | 00-0512-0013 | M5 X 12 POZI PAN HEAD SCREW | 6 |
| 54 | 00-0540-0013 | SCREW, M5 X 40 PAN HEAD | 2 |
| 55 | 00-1000-0703 | M10 FULL NUT | 1 |
| 56 | 00-0400-0523 | M4 SHAKEPROOF WASHER | 2 |
| 57 | 00-0410-0023 | M410 POZI PAN HEAD | 2 |
| 58 | 00-0400-0703 | M4 FULL NUT | 2 |
| 59 | 00-0308-0013 | M3x8 POZI PAN HD SCREW | 1 |
| 61 | 00-0300-0503 | M3 PLAIN WASHER | 1 |
| 62 | 00-0500-0507 | M5 BRASS WASHER | 3 |
| 63 | 00-0500-0703 | M5 FULL NUT | 2 |
| 64 | 00-0500-0713 | M5 LOCK NUT | 1 |
| 65 | 00-0500-0521 | M5 SHAKEPROOF WASHER Z/P | 1 |
| 66 | 00-1000-0523 | M10 SHAKEPROOF WASHER | 1 |
| 67 | 00-0520-0013 | M5x20 POZI PAN HD SCREW | 1 |
| 68 | 00-0518-0013 | M5 X 12 POZI PAN HEAD SCREW | 1 |



Tacony CFC

CR48 Head Assembly

DRAWING NO.: 09-1062-0000

MACHINE: CR48

REF. PARTS LIST: 05-3938-0000

SERIES: B

REVISION

ECN #

DESCRIPTION OF CHANGE

MOD. BY

DATE

A

0279

CHANGED MOTOR TO LEMAC; MOTOR COVER TO 03-8230-0000

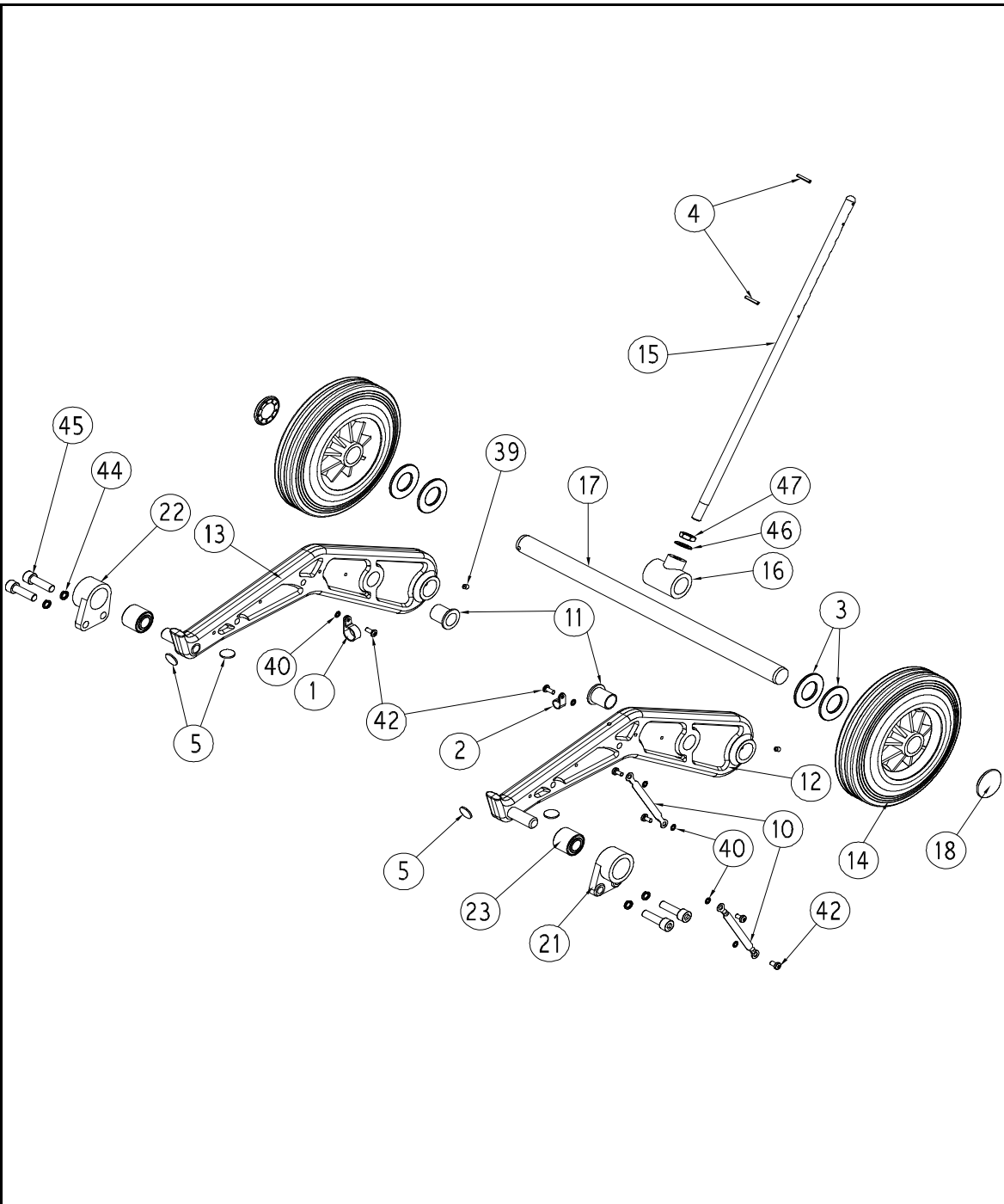
G.S.

2/15/2010

CR48 Head Assembly

Part Reference: 05-3938-0000

| MACHINE: | CR48 | | | |
|-----------------|--------------|---|---------|------------|
| REF. DWG. #: | 09-1062-0000 | | | |
| SERIES: | B | | | |
| REVISION | ECN# | DESCRIPTION OF CHANGE | MOD. BY | DATE |
| A | 0279 | CHANGED MOTOR TO LEMAC; COVER TO 03-8230-0000 | G.S. | 15/02/2010 |
| Ref. No. | Part No. | Part Description | Qty | |
| CORE COMPONENTS | | | | |
| 2 | 02-4335-0000 | M10x30 WASHER | 1 | |
| 3 | 02-3965-0000 | CABLE GLAND | 1 | |
| 5 | 02-4020-0000 | BEARING 6009-2RS | 2 | |
| 7 | 02-4179-0000 | WATER FEED TUBE | 1.75" | |
| 8 | 02-4191-0000 | BELT - NITTA 1465x25 (BLUE POLY) | 1 | |
| 9 | 02-4279-0000 | P CLIP(HEYCO 350-3364) | 1 | |
| 10 | 02-4320-0000 | BRASS CUP WASHER No8 | 12 | |
| 11 | 02-4323-0000 | SELF TAP No10x12 POZI PAN HD ST/ST | 19 | |
| 12 | 02-4381-0000 | PLASTIC INSERT (REF 12157) | 3 | |
| 13 | 02-4380-0000 | CIRCLIP INTERNAL 1300 - 75mm | 1 | |
| 15 | 02-4024-0000 | CIRCLIP EXTERNAL | 1 | |
| 17 | 03-6898-1000 | BUMPER STRIP | 28.5" | |
| 18 | 03-6910-0000 | DUST SEAL | 3 | |
| 19 | 03-6920-0000 | WATER FEED ELBOW | 2 | |
| 20 | 03-6927-0000 | MOTOR PULLEY NOM DIA 50mm | 1 | |
| 21 | 03-6928-0000 | BUMPER RUBBER CLIP | 2 | |
| 22 | 03-6930-0000 | KEY 3/16 x 3/16 x 25mm | 1 | |
| 23 | 03-6931-0000 | KEY 3/16 x 3116 x 5/8 | 1 | |
| 24 | 03-6940-0000 | BOTTOM COVER PLATE | 1 | |
| 25 | 03-6944-0000 | BRUSH SPINDLE (BRASS - WATER FEED) | 3 | |
| 27 | 03-6946-0000 | BOTTOM COVER SPACER | 3 | |
| 28 | 03-6947-0000 | MOTOR SHAFT EXTENSION | 1 | |
| 30 | 03-7668-0000 | LIFTING HANDLE | 1 | |
| 31 | 03-6962-0000 | EDU BOWL (BLUE) CR48 | 1 | |
| 32 | 03-7220-0000 | M16 NYLOC NUT (M'C'D) | 3 | |
| 33 | 03-7284-0000 | CENTRE BEARING SPACER | 1 | |
| 36 | 03-7324-0000 | SPIGOT PLATE | 1 | |
| 37 | 03-8230-0000 | CIMEX MOTOR COVER | 1 | |
| 38 | 03-7833-0000 | MOTOR COVER BRACKET | 2 | |
| 39 | 03-7654-0000 | DECAL - FRONT BARS *NOT SHOWN* | 1 | |
| 40 | 03-7655-0000 | DECAL - FRONT BADGE *NOT SHOWN* | 1 | |
| 41 | 03-7685-0000 | DECAL - SIDE R48 (LEFT & RIGHT HAND PAIR) *NOT SHOWN* | 1 | |
| 42 | 03-7944-0000 | DECAL - CIMEX FROM TRUVOX *NOT SHOWN* | 1 | |
| 43 | 04-3485-0000 | MOTOR 230V 50Hz 550W 1.5HP | 1 | |
| 43 | 04-3913-0000 | MOTOR 230V 50Hz 750W 1.5HP | 1 | |
| 43 | 04-3914-0000 | MOTOR 100-110V 50-60Hz 1.5HP | 1 | |
| 44 | 04-3602-0000 | #10 16-14 INSULATED RING TERMINAL *NOT SHOWN* | 5 | |
| 45 | 72470A | HEAT SHRINK BLACK | 12" | |
| 46 | 03-7325-0000 | BUMPER SHIELD ASSEMBLY CR48 | 1 | |
| 48 | 05-4545-0000 | CR48 BRUSH PULLEY ASSEMBLY | 3 | |
| FASTENERS | | | | |
| 60 | 00-0400-0707 | M4 BRASS NUT | 2 | |
| 61 | 00-0425-0023 | M425 POZI PAN HD SCREW ST/ST | 4 | |
| 62 | 00-0512-0013 | M5x12 POZI PAN HD SCREW ST/ST | 2 | |
| 63 | 00-0512-0033 | M5x12 COUNTERSUNK SCREW ST/ST | 12 | |
| 64 | 00-0525-0013 | M5x25 POZI PAN HD SCREW ST/ST | 2 | |
| 65 | 00-0606-0171 | M6x6 GRUB SCREW SOCKET HD | 2 | |
| 66 | X8218+ | WASHER SAE 5/16 SAE FLAT ZINC | 2 | |
| 67 | 00-0800-0713 | M8 1/2 NUT S/S | 2 | |
| 68 | 00-1000-0523 | MI 0 INTERNAL SHAKEPROOF WASHER | 5 | |
| 69 | 00-1000-0703 | MI 0 LOCK NUT S/S | 4 | |
| 70 | 00-1020-0123 | MI 0x20 BOLT S/S | 1 | |
| 71 | 00-1035-0111 | M10x35 BOLT Z/P | 4 | |



CR48 Chassis Assembly

Drawing Number: 09-1063-0000

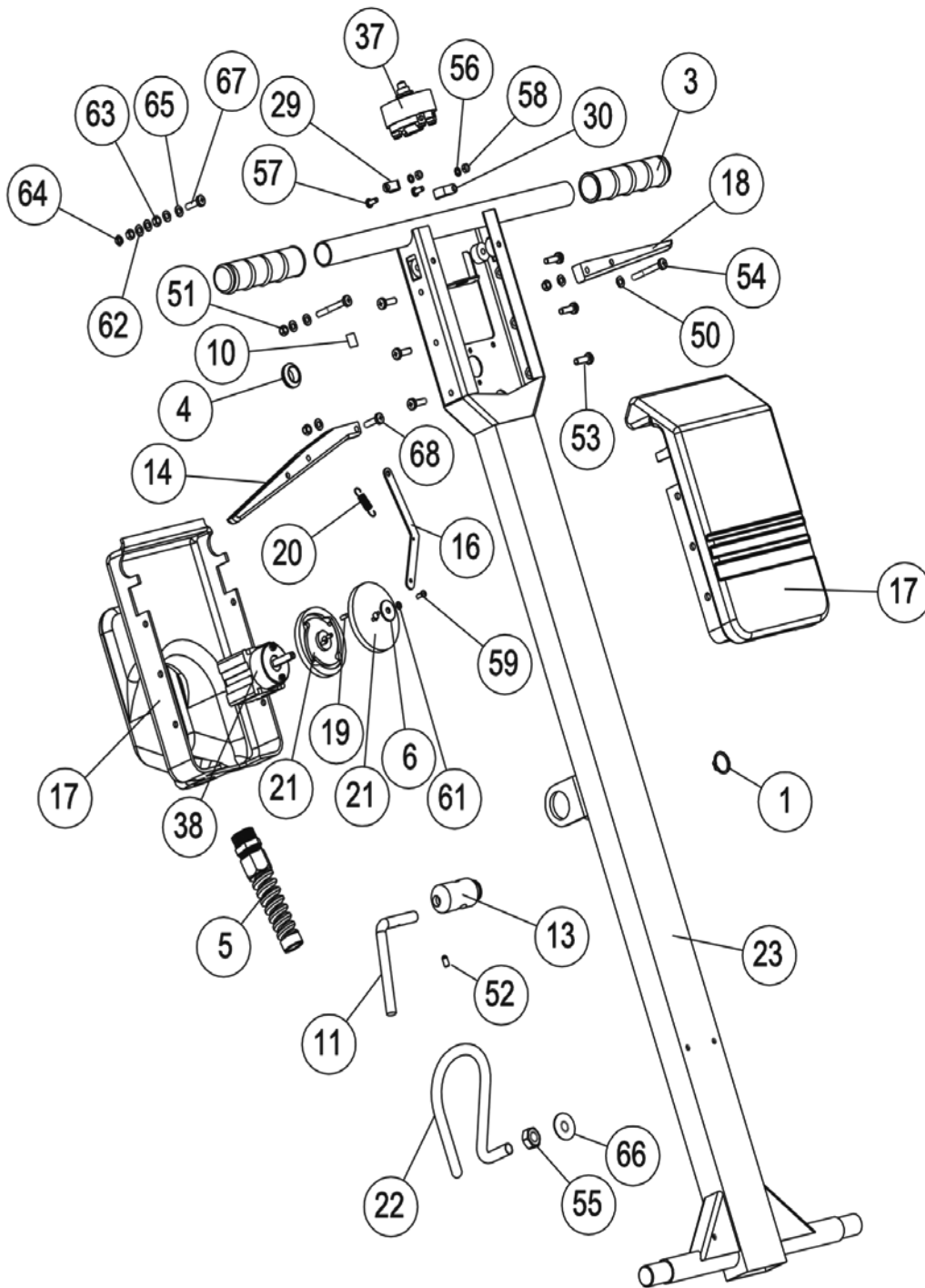
| | | | |
|-----------------------|--------------|------------------------|-------|
| Date: | 29/12/2009 | | |
| Machine: | CR48 | | |
| Reference Parts List: | 05-4478-0000 | | |
| Modified By: | G SECHERE | DESCRIPTION OF CHANGE | ECN # |
| Revision: | C | ADDED SET SCREWS (#39) | 0134 |

CR48 Chassis Assembly

Part Reference: 05-4478-0000

| | | | |
|---------------------------|--------------|------------------------|-------|
| Date: | 29/12/2009 | | |
| Machine: | CR48 | | |
| Reference Drawing Number: | 09-1063-0000 | | |
| Modified By: | G SECHERE | DESCRIPTION OF CHANGE | ECN # |
| Revision: | C | ADDED SET SCREWS (#39) | 0134 |

| Ref. No. | Part No. | Part Description | Qty |
|------------------------|--------------|---|-----|
| CORE COMPONENTS | | | |
| 1 | 02-4448-0000 | P CLIP (CONDUIT) | 1 |
| 2 | 02-4279-0000 | P CLIP (WATER HOSE) | 1 |
| 3 | 02-4363-0000 | WASHER (USED AS WHEEL SPACER SUBJECT TO QTY CHANGE) | 4 |
| 4 | 02-4208-0000 | SELLOCK PIN 1/8x7/8 | 2 |
| 5 | 02-4187-0000 | BUFFER RUBBER 19mm x 1.5mm | 4 |
| 10 | 03-6899-0000 | EARTH LEAD (WITH INTEGRAL TERMS) | 2 |
| 11 | 03-6919-0000 | FORK HANDLE BUSH (BLACK) | 2 |
| 12 | 03-8175-0000 | LIFTING FORK (L/H) | 1 |
| 13 | 03-8176-0000 | LIFTING FORK (R/H) | 1 |
| 14 | 03-7277-0000 | WHEEL 200mm DIA | 2 |
| 15 | 03-7279-0000 | SWIVEL CLAMP ROD | 1 |
| 16 | 03-7306-0000 | TEE PIECE | 1 |
| 17 | 03-7308-0000 | AXLE - CR48,CR61 | 1 |
| 18 | 03-7658-0000 | STARLOCK HUB CAP | 2 |
| 20 | 04-3688-0000 | 20mm CONDUIT *NOT SHOWN* | 43" |
| 21 | 03-6926-0000 | PIVOT BLOCK (L/H) | 1 |
| 22 | 03-6925-0000 | PIVOT BLOCK (R/H) | 1 |
| 23 | 03-6929-0000 | SILENT BEARING | 2 |
| FASTENERS | | | |
| 39 | 00-0606-0171 | M6 X 6 SKT SET SCREW S/COL | 2 |
| 40 | 00-0500-0521 | M5 INTERNAL SHAKEPROOF WASHER | 6 |
| 42 | 00-0512-0013 | M5x10 POZI PAN HEAD SCREW ST/ST | 6 |
| 44 | 7CL003 | M10 SPRING WASHER ST/ST | 4 |
| 45 | 00-1030-0103 | M10x30 CAP HD SCREW ST/ST | 4 |
| 46 | 00-1200-0503 | M12 WASHER FORM B ST/ST | 1 |
| 47 | 00-1200-0713 | M12 LOCKNUT ST/ST | 1 |



CR48/DF Handle Assembly

Drawing Number: 09-1047-0000

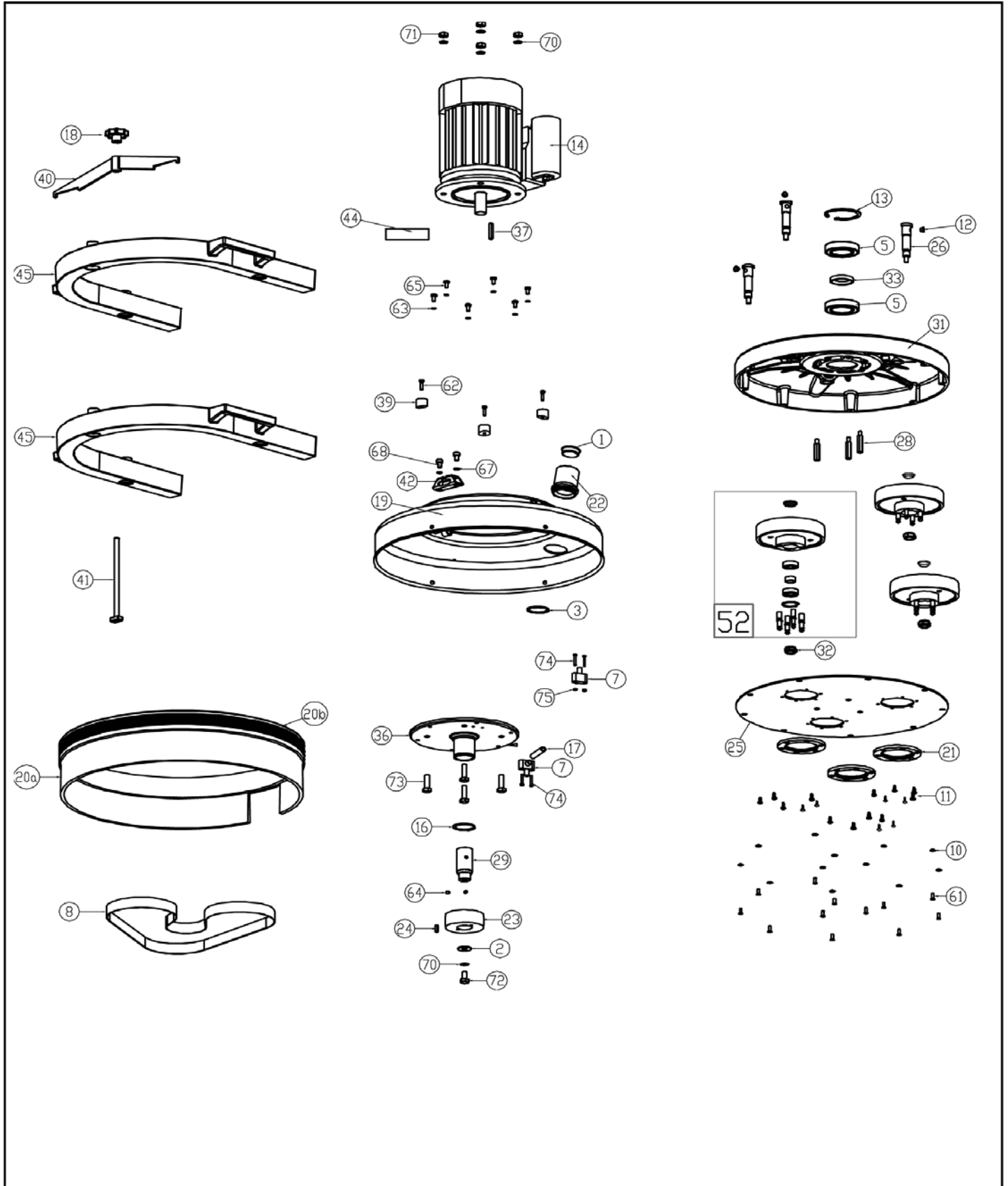
| | | | |
|-----------------------|--------------|-----------------------|-------|
| Date: | 2/9/2009 | | |
| Machine: | CR48/DF | | |
| Reference Parts List: | 05-4496-0000 | | |
| Modified By: | G SECHERE | DESCRIPTION OF CHANGE | ECN # |
| Revision: | B | COMPONENTS CHANGE | N/A |

CR48/DF Handle Assembly

Part Reference: 05-4496-0000

| | | | |
|---------------------------|--------------|-----------------------|-------|
| Date: | 2/9/2009 | | |
| Machine: | CR48/DF | | |
| Reference Drawing Number: | 09-1047-0000 | | |
| Modified By: | G SECHERE | DESCRIPTION OF CHANGE | ECN # |
| Revision: | B | COMPONENTS CHANGE | N/A |

| Ref. No. | Part No. | Part Description | Qty |
|------------------------|--------------|---|------|
| CORE COMPONENTS | | | |
| 1 | 02-3950-0000 | 3/4 in EXTERNAL CIRCLIP | 1 |
| 2 | 02-4065-0000 | SLEEVING 2MM CLEAR | 4" |
| 3 | 02-4175-0000 | HANDLE GRIP | 2 |
| 4 | 02-4176-0000 | GROMMET | 1 |
| 5 | 02-4186-0000 | CABLE GLAND | 1 |
| 6 | 02-4311-0000 | PENNY WASHER | 1 |
| 7 | 02-4149-0000 | TYRAP - SMALL (BI) *NOT SOWHN* | 7 |
| 8 | 02-3702-0000 | SLEEVING FOR CABLE (10/13AMP) *NOT SHOWN* | 40" |
| 10 | 03-6185-0000 | EARTH POINT LABEL | 1 |
| 11 | 03-6953-0000 | LOCKING HANDLE | 1 |
| 13 | 03-6957-0000 | PIVOT | 1 |
| 14 | 03-7281-0000 | LEVER | 1 |
| 16 | 03-7298-0000 | SWITCH CAM LEVER | 1 |
| 17 | 03-7300-1000 | HANDLE BOX (FRONT & REAR SET) | 1 |
| 18 | 03-7301-0000 | WATER VALVE LEVER | 1 |
| 19 | 03-7433-0000 | CAM FOLLOWERS | 1 |
| 20 | 03-7434-0000 | SPRING | 1 |
| 21 | 03-7435-0000 | REVERSE SWITCH CAMS | 1 |
| 22 | 03-7660-0000 | CABLE HOOK | 1 |
| 23 | 03-8005-0000 | CR / RHD COMMON HANDLE FRAME | 1 |
| 29 | 02-4026-0000 | P CLIP (DROPLEAD) | 1 |
| 30 | 02-4219-0000 | P CLIP (MAINS CABLE) | 1 |
| 31 | 04-3416-0000 | SUPPRESSOR RF 0.47UF | 1 |
| 33 | 04-3576-0000 | CRIMP TERMINAL PRE-INSULATED *NOT SHOWN* | 5 |
| 32 | 04-3480-0000 | TERMINAL (FORK) *NOT SHOWN* | 2 |
| 34 | 04-3481-0000 | TERMINAL (SPRING SPADE) *NOT SHOWN* | 4 |
| 35 | 04-3602-0000 | TERMINAL (RING) *NOT SHOWN* | 2 |
| 36 | 04-3681-0000 | MAINS CABLE 1.5MM SQ GREY PVC 3 CORE | 600" |
| 37 | 04-3686-0000 | SWITCH (MOMENTARY) | 1 |
| 38 | 04-3809-0000 | SWITCH (CAM OPERATED) | 1 |
| 43 | 04-3553-0000 | CABLE 2.5MM 14AWG BLACK *NOT SHOWN* (DROPLEAD) | 158" |
| 44 | 04-3556-0000 | CABLE 2.5MM 14AWG BLUE *NOT SHOWN* (DROPLEAD) | 79" |
| 45 | 04-3558-0000 | CABLE 2.5MM 14AWG BROWN *NOT SHOWN* (DROPLEAD) | 79" |
| 46 | 04-3559-0000 | CABLE 2.5MM 14AWG GREEN/YELLOW *NOT SHOWN* (DROPLEAD) | 79" |
| 47 | 04-3552-0000 | CABLE 2.5MM 14AWG RED *NOT SHOWN* (DROPLEAD) | 79" |
| 48 | 04-0299-0000 | PLUG (UK) *NOT SHOWN* | 1 |
| FASTENERS | | | |
| 50 | 00-0500-0503 | M5 PLAIN WASHER | 6 |
| 51 | 00-0500-0723 | M5 NYLOC NUT | 3 |
| 52 | 00-0510-0171 | M5 x 10 SOCKET SET SCREW | 1 |
| 53 | 00-0512-0013 | M5 X 12 POZI PAN HEAD SCREW | 6 |
| 54 | 00-0540-0013 | SCREW, M5 X 40 PAN HEAD | 2 |
| 55 | 00-1000-0703 | M10 FULL NUT | 1 |
| 56 | 00-0400-0523 | M4 SHAKEPROOF WASHER | 2 |
| 57 | 00-0410-0023 | M410 POZI PAN HEAD | 2 |
| 58 | 00-0400-0703 | M4 FULL NUT | 2 |
| 59 | 00-0308-0013 | M3x8 POZI PAN HD SCREW | 1 |
| 61 | 00-0300-0503 | M3 PLAIN WASHER | 1 |
| 62 | 00-0500-0507 | M5 BRASS WASHER | 3 |
| 63 | 00-0500-0703 | M5 FULL NUT | 2 |
| 64 | 00-0500-0713 | M5 LOCK NUT | 1 |
| 65 | 00-0500-0521 | M5 SHAKEPROOF WASHER Z/P | 1 |
| 66 | 00-1000-0523 | M10 SHAKEPROOF WASHER | 1 |
| 67 | 00-0520-0013 | M5x20 POZI PAN HD SCREW | 1 |
| 68 | 00-0518-0013 | M5 X 12 POZI PAN HEAD SCREW | 1 |



CR48/DF Head Assembly

Drawing Number: 09-1092-0000

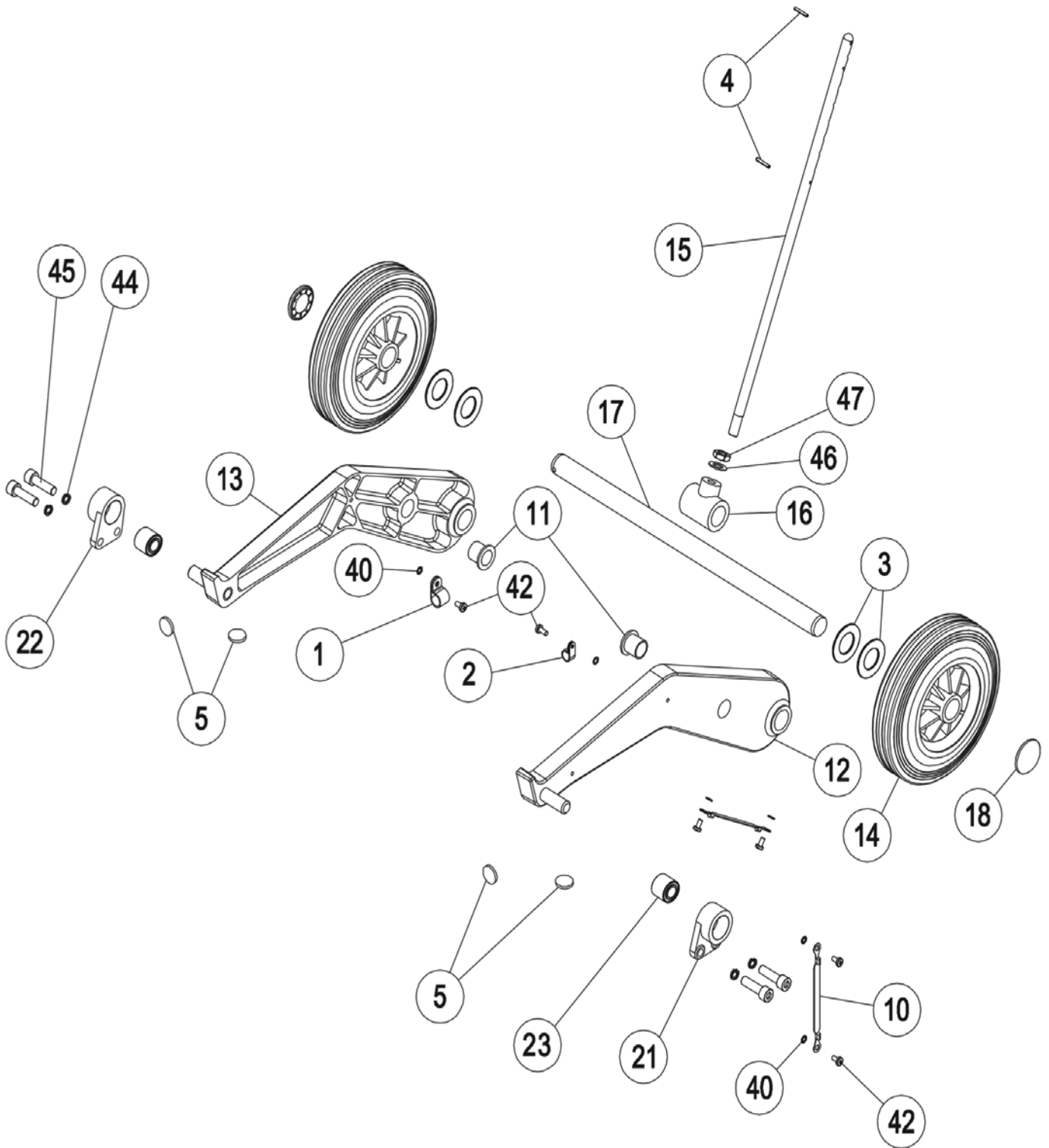
| | | | |
|-----------------------|--------------|-----------------------|-------|
| Date: | 2/9/2009 | | |
| Machine: | CR48/DF | | |
| Reference Parts List: | 05-4256-0000 | | |
| Modified By: | G SECHERE | DESCRIPTION OF CHANGE | ECN # |
| Revision: | B | COMPONENTS CHANGE | N/A |

CR48/DF Head Assembly

Part Reference: 05-4256-0000

| | | | |
|---------------------------|--------------|-----------------------|-------|
| Date: | 2/9/2009 | | |
| Machines: | CR48/DF | | |
| Reference Drawing Number: | 09-1092-0000 | | |
| Approved By: | G SECHERE | DESCRIPTION OF CHANGE | ECN # |
| Revision: | B | COMPONENTS CHANGE | N/A |

| Ref. No. | Part No. | Part Description | Qty |
|------------------------|--------------|---------------------------------------|-------|
| CORE COMPONENTS | | | |
| 1 | 02-4587-0000 | VAC TUBE PLUG | 1 |
| 2 | 02-4335-0000 | M10 WASHER | 1 |
| 3 | 02-4184-0000 | CIRCLIP 46.5 ID (VACUUM OUTLET) | 1 |
| 4 | 02-4025-0000 | M5 SPLINED LARGE FLANGE *NOT SHOWN* | 1 |
| 5 | 02-4020-0000 | BEARING 6009-2RS | 2 |
| 7 | 03-6920-0000 | WATER FEED ELBOW | 2 |
| 8 | 02-4192-0000 | BELT - NITTA 1395x30 (BLUE/BLUE) | 1 |
| 10 | 02-4320-0000 | BRASS CUP WASHER No8 | 12 |
| 11 | 00-0506-0013 | M5 X 6 PAN POZI MACHINE SCREW | 18 |
| 12 | 02-4381-0000 | PLASTIC INSERT (REF 12157) | 3 |
| 13 | 02-4380-0000 | CIRCLIP INTERNAL 1300 - 75mm | 1 |
| 16 | 02-4024-0000 | CIRCLIP EXTERNAL | 1 |
| 17 | 02-4179-0000 | WATER FEED TUBE | 1.75" |
| 18 | 02-4447-0000 | CLAMP KNOB | 1 |
| 19 | 03-6972-0000 | BUMPER SHIELD | 1 |
| 20a | 03-6791-1000 | BRUSH STRIP | 63.5" |
| 20b | 03-7278-1000 | BUMPER RUBBER | 63.5" |
| 21 | 03-6910-0000 | DUST SEAL | 3 |
| 22 | 03-8090-0000 | 2" O/D VACUUM OUTLET | 1 |
| 23 | 03-6958-0000 | CENTRE PULLEY | 1 |
| 24 | 03-6931-0000 | KEY 3/16 x 3/16 x 5/8 | 1 |
| 25 | 03-6940-0000 | BOTTOM COVER PLATE | 1 |
| 26 | 03-6923-0000 | BRUSH SPINDLE ST/STL | 3 |
| 28 | 03-6946-0000 | BOTTOM COVER SPACER | 3 |
| 29 | 03-6968-0000 | MOTOR SHAFT EXTENSION | 1 |
| 31 | 03-6962-0000 | EDU BOWL (BLUE) CR48 | 1 |
| 32 | 03-7220-0000 | M16 NYLOC NUT (M'C'D) | 3 |
| 33 | 03-7284-0000 | CENTRE BEARING SPACER | 1 |
| 36 | 03-6971-0000 | SPIGOT PLATE | 1 |
| 37 | 03-7008-0000 | SPECIAL KEYBAR | 1 |
| 39 | 03-6969-0000 | WEIGHT LOCATOR | 3 |
| 40 | 03-7714-0000 | WEIGHT CLAMP BAR | 1 |
| 41 | 03-7715-0000 | WEIGHT CLAMP BOLT | 1 |
| 42 | 03-7716-0000 | WEIGHT CLAMP BRACKET | 1 |
| 44 | 03-7944-0000 | DECAL - CIMEX FROM TRUVOX *NOT SHOWN* | 1 |
| 45 | 03-7004-0000 | BALLAST WEIGHT | 2 |
| 47 | 04-3602-0000 | TERMINAL (RING) *NOT SHOWN* | 6 |
| 46 | 04-3852-0000 | MOTOR 230V 50/60Hz 1.5kW 4 POLE | 1 |
| 52 | 05-4494-0000 | DF BRUSH PULLEY ASSEMBLY | 3 |
| 53 | 72470A | HEAT SHRINK TUBING | 12" |
| FASTENERS | | | |
| 60 | 00-0500-0723 | M5 NYLOC NUT ST/ST | 3 |
| 61 | 00-0512-0033 | M5x12 COUNTERSUNK SCREW ST/ST | 12 |
| 62 | 00-0520-0013 | M5x20 POZI PAN HD SCREW ST/ST | 3 |
| 63 | 00-0600-0523 | M6 INT SHAKEPROOF WASHER ST/ST | 6 |
| 64 | 00-0606-0171 | M6x6 GRUB SCREW SOCKET HD | 2 |
| 65 | 00-0612-0113 | M6 x 12 HEX HD BOLT ST/ST | 6 |
| 67 | 00-0800-0523 | M8 INT SHAKEPROOF WASHER ST/ST | 2 |
| 68 | 00-0812-0093 | M8 x 12 CAP HD SCREW ST/ST | 2 |
| 70 | 00-1000-0523 | M10 INTERNAL SHAKEPROOF WASHER | 5 |
| 71 | 00-1000-0703 | M10 LOCK NUT ST/ST | 4 |
| 72 | 00-1020-0123 | M10x20 BOLT S/S | 1 |
| 73 | 00-1035-0111 | M10x35 BOLT Z/P | 4 |
| 74 | 00-0425-0023 | M425 BOLT ST/STL | 4 |
| 75 | 00-0400-0707 | M4 FULL NUT BRASS | 2 |



CR48/DF Chassis Assembly

Drawing Number: 09-1064-0000

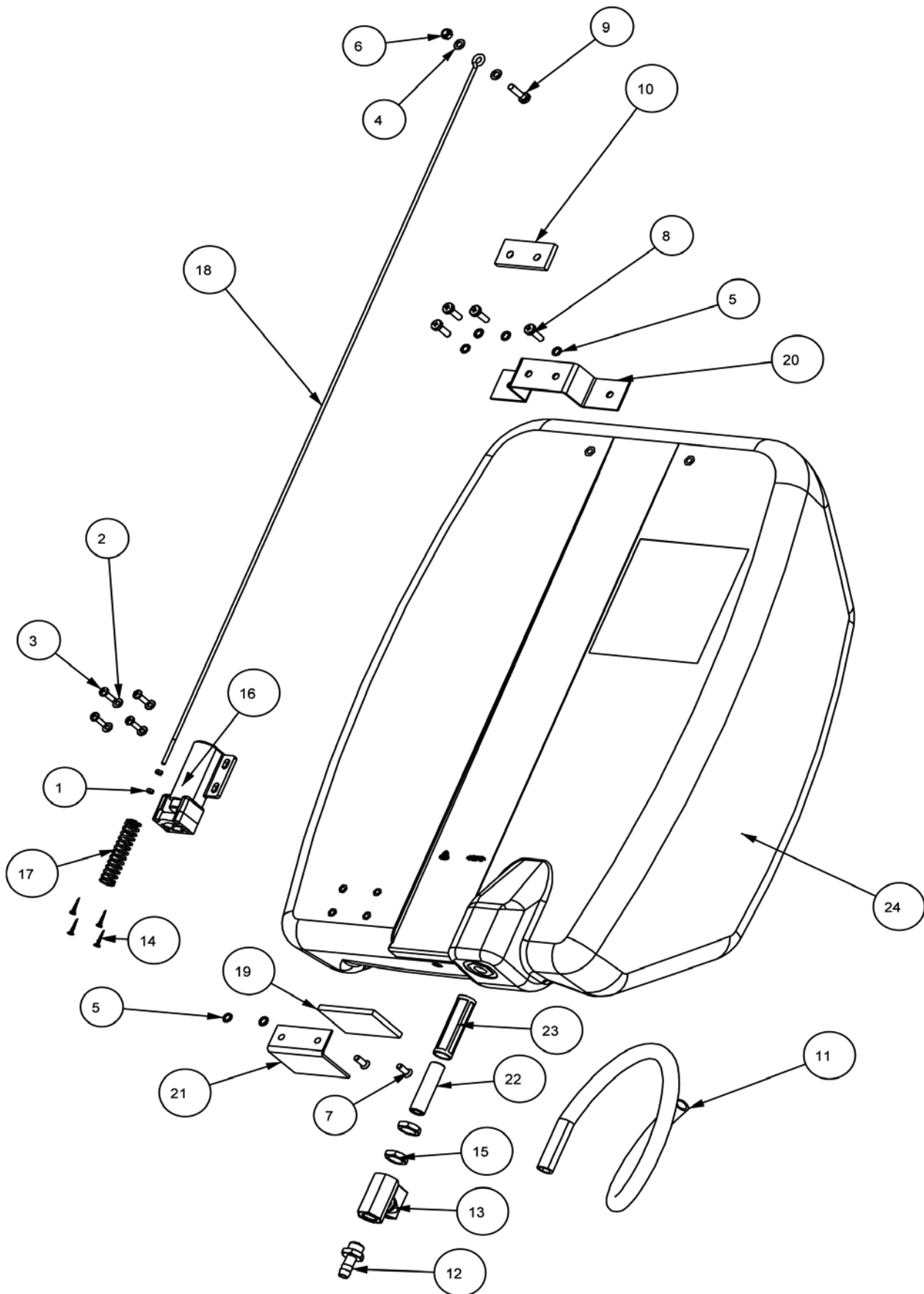
| | | | |
|-----------------------|--------------|-----------------------|-------|
| Date: | 2/9/2009 | | |
| Machine: | CR48/DF | | |
| Reference Parts List: | 05-4479-0000 | | |
| Modified By: | G SECHERE | DESCRIPTION OF CHANGE | ECN # |
| Revision: | B | COMPONENTS CHANGE | N/A |

CR48/DF Chassis Assembly

Part Reference: 05-4479-0000

| | | | |
|---------------------------|--------------|-----------------------|-------|
| Date: | 2/9/2009 | | |
| Machine: | CR48/DF | | |
| Reference Drawing Number: | 09-1064-0000 | | |
| Modified By: | G SECHERE | DESCRIPTION OF CHANGE | ECN # |
| Revision: | B | COMPONENTS CHANGE | N/A |

| Ref. No. | Part No. | Part Description | Qty |
|------------------------|--------------|---|-----|
| CORE COMPONENTS | | | |
| 1 | 02-4448-0000 | P CLIP (CONDUIT) | 1 |
| 2 | 02-4279-0000 | P CLIP (WATER HOSE) *NOT SHOWN* | 1 |
| 3 | 02-4363-0000 | WASHER (USED AS WHEEL SPACER SUBJECT TO QTY CHANGE) | 4 |
| 4 | 02-4208-0000 | SELLOCK PIN 1/8x7/8 | 2 |
| 5 | 02-4187-0000 | BUFFER RUBBER 19mm x 1.5mm | 4 |
| 10 | 03-6899-0000 | EARTH LEAD (WITH INTEGRAL TERMS) | 2 |
| 11 | 03-6919-0000 | FORK HANDLE BUSH (BLACK) | 2 |
| 12 | 03-8175-0000 | LIFTING FORK (L/H) | 1 |
| 13 | 03-8176-0000 | LIFTING FORK (R/H) | 1 |
| 14 | 03-7277-0000 | WHEEL 200mm DIA | 2 |
| 15 | 03-7279-0000 | SWIVEL CLAMP ROD | 1 |
| 16 | 03-7306-0000 | TEE PIECE | 1 |
| 17 | 03-7308-0000 | AXLE - CR48,CR61 | 1 |
| 18 | 03-7658-0000 | STARLOCK HUB CAP | 2 |
| 20 | 04-3688-0000 | 20mm CONDUIT *NOT SHOWN* | 43" |
| 21 | 03-6926-0000 | PIVOT BLOCK (L/H) | 1 |
| 22 | 03-6925-0000 | PIVOT BLOCK (R/H) | 1 |
| 23 | 03-6929-0000 | SILENT BEARING | 2 |
| FASTENERS | | | |
| 40 | 00-0500-0521 | M5 INTERNAL SHAKEPROOF WASHER | 6 |
| 42 | 00-0512-0013 | M5x10 POZI PAN HEAD SCREW ST/ST | 6 |
| 44 | 7CL003 | M10 SPRING WASHER ST/ST | 4 |
| 45 | 00-1030-0103 | M10x30 CAP HD SCREW ST/ST | 4 |
| 46 | 00-1200-0503 | M12 WASHER FORM B ST/ST | 1 |
| 47 | 00-1200-0713 | M12 LOCKNUT ST/ST | 1 |



Cyclone Range Tank Assembly

Drawing Number: N/A

| | | | |
|-----------------------|------------------------|------------------------------------|-------|
| Date: | 9/10/2009 | | |
| Machine: | CYCLONE RANGE MACHINES | | |
| Reference Parts List: | 05-4253-0000 | | |
| Modified By: | G SECHERE | DESCRIPTION OF CHANGE | ECN # |
| Revision: | C | INCREASED QTY OF #5 TO 6 & #8 TO 4 | 0135 |

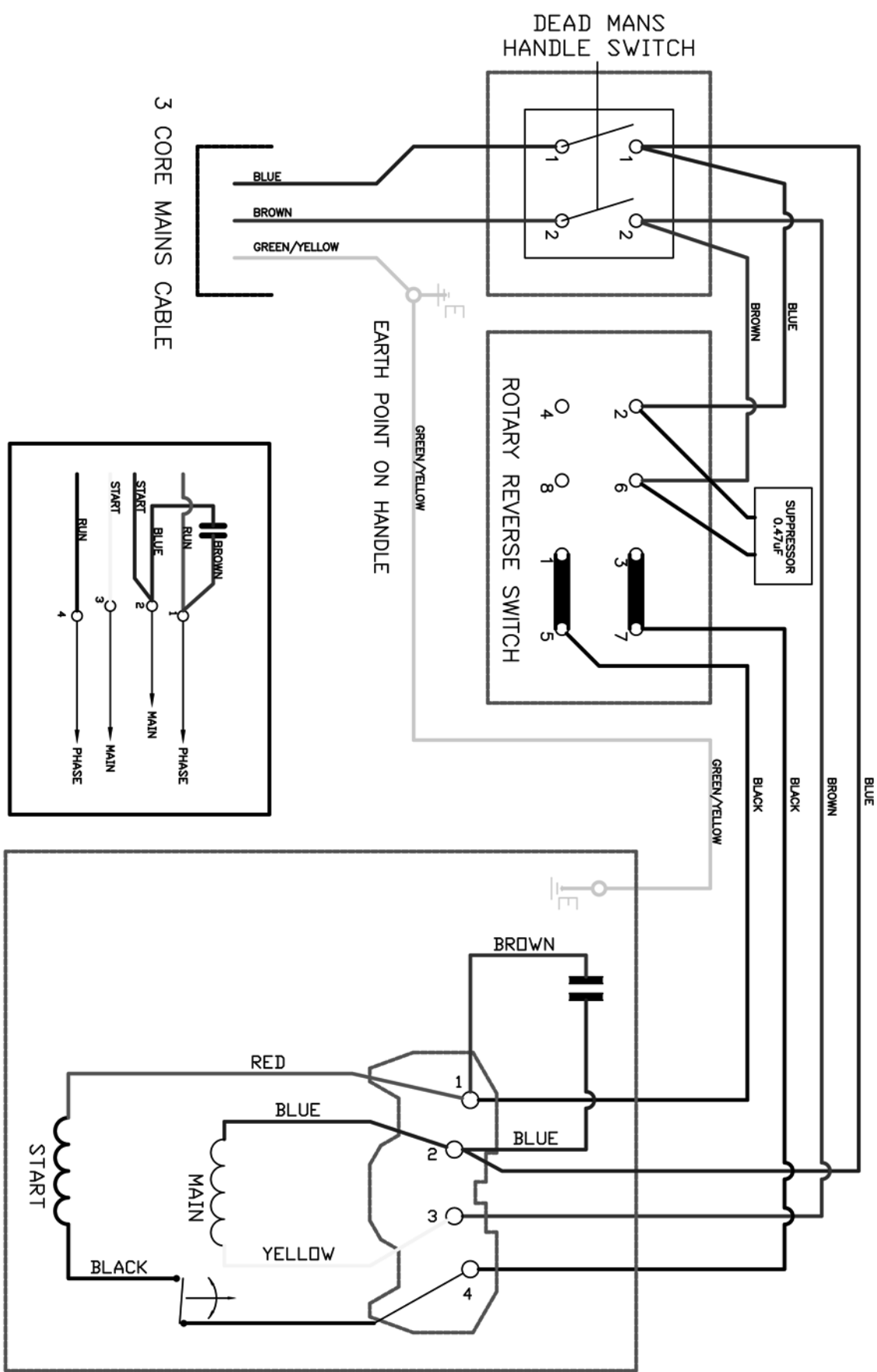
Cyclone Range Tank Assembly

Part Reference: 05-4253-0000

| | | | |
|---------------------------|------------------------|-----------------------------------|-------|
| Date: | 9/10/2009 | | |
| Machine: | CYCLONE RANGE MACHINES | | |
| Reference Drawing Number: | N/A | | |
| Modified By: | G SECHERE | DESCRIPTION OF CHANGE | ECN # |
| Revision: | C | INCREASE QTY OF #5 TO 6 & #8 TO 4 | 0135 |

| Ref. No. | Part No. | Part Description | Qty |
|------------------------|--------------|-------------------------------------|-----|
| CORE COMPONENTS | | | |
| 10 | 02-3278-0000 | NEOPRENE ADHESIVE STRIP | 4" |
| 11 | 02-4179-0000 | SILICON HOSE (CR TANK) 1.6M | 63" |
| 12 | 02-4212-0000 | WATER OUTLET BRASS NICKEL | 1 |
| 13 | 02-4213-0000 | BALL VALVE | 1 |
| 14 | 02-4360-0000 | SCREW SELF TAPPER | 4 |
| 15 | 03-3475-0000 | 1/4 INCH BRASS HEXNUT | 2 |
| 16 | 03-7297-0000 | WATER VALVE (BLUE) | 1 |
| 17 | 03-7302-0000 | SPRING LEE LC 0594 MWTO SPEC.ISS 01 | 1 |
| 18 | 03-7303-0000 | SOLUTION TANK ROD | 1 |
| 19 | 03-7304-0000 | FOAM HANDLE PAD | 1 |
| 20 | 03-7311-0000 | TANK BRACKET TOP | 1 |
| 21 | 03-7312-0000 | SOLUTION TANK BRACKET LOWER | 1 |
| 22 | 03-7661-0000 | VALVEINSERT | 1 |
| 23 | 03-7662-0000 | FILTER (NYLON) | 1 |
| 24 | 03-8178-0000 | CR RANGE SOLUTION TANK | 1 |
| FASTENERS | | | |
| 1 | 00-0300-0703 | M3 FULL NUT ST/ST | 2 |
| 2 | 00-0400-0503 | M4 WASHER FORM 'A' ST/ST | 4 |
| 3 | 00-0412-0013 | M4 X 12 POZI PAN HEAD SCREW ST/ST | 4 |
| 4 | 00-0500-0503 | M5 WASHER FORM A ST/ST | 2 |
| 5 | 00-0500-0521 | M5 INTERNAL SHAKEPROOF | 6 |
| 6 | 00-0500-0723 | M5 NYLOC NUT ST/ST | 1 |
| 7 | 00-0512-0033 | M5 x 12 COUNTERSUNK SCREW ST/ST | 2 |
| 8 | 00-0516-0013 | M5 x 16mm POZI PAN HD SCREW ST/ST | 4 |
| 9 | 00-0520-0013 | M5 x 20 POZI PAN SCREW ST/ST | 1 |

0.47uF SUPPRESSOR NOT FITTED
TO USA VERSION.
110V 60Hz



| REV | DATE | ECN | DESCRIPTION | BY | MATERIAL | FINISH | SHEET |
|-----|---------|------|-------------|----|--------------|--------|-------|
| - | - | - | - | - | DWN GS | SCALE | - |
| - | - | - | - | - | DATE 3/18/10 | - | - |
| A | 3/18/10 | 0279 | NEW DRAWING | GS | | | |

Tacony
COMMERCIAL FLOOR CARE

3101 Wichita Court
Fort Worth, TX 76140-1755

DESCRIPTION (CIMEX) WIRING DIAGRAM CR38 DMH SWITCH

PART NUMBER 09-1122-0000

REV A

Authorised dealer: